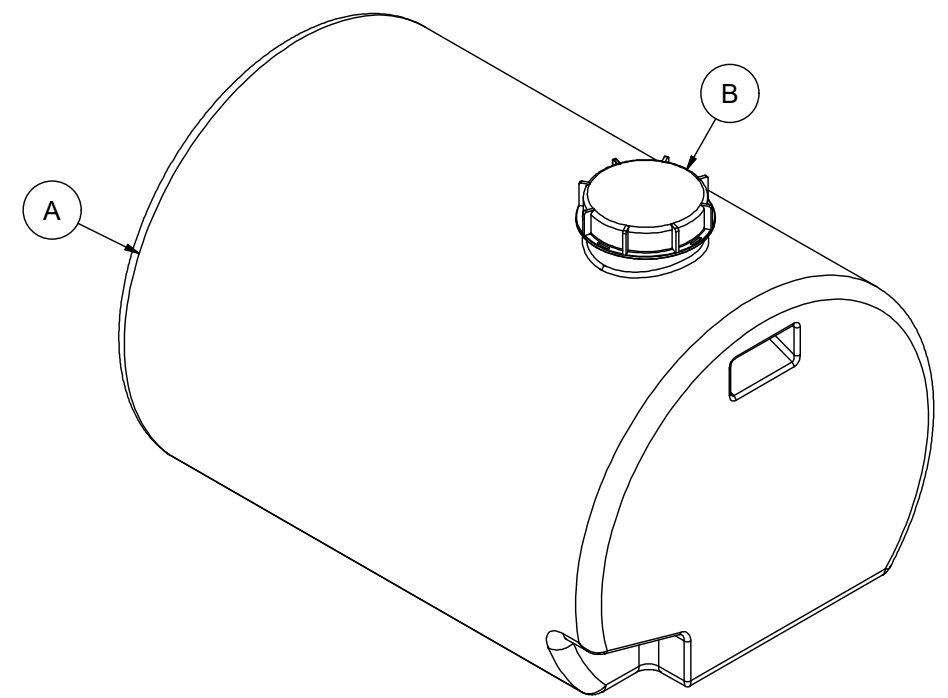


NOTES:
 1. TANK IS MANUFACTURED FROM POLYETHYLENE (PE).
 2. ALL TANK DIMENSIONS ARE SUBJECT TO A +/-3% TOLERANCE.
 3. ALL EXTERNAL PIPING AND ACCESSORIES MUST BE FULLY SUPPORTED AND FLEXIBLE TO AVOID STRESSING THE TANK.

| MATERIALS LIST | | |
|----------------|---------------------|-------|
| ITEMS | DESCRIPTION | NOTES |
| A | RT-300 TANK | |
| B | 5 1/2" THREADED LID | |
| | | |
| | | |
| | | |
| | | |
| | | |
| | | |



| REV | DATE | DESCRIPTION | BY | APPD | REVD | |
|---|------|---|----|---|------|---|
| REVISIONS | | | | | | |
| CUSTOMER | | | | | | |
| TITLE | | ACO JOB NO: | | | | |
| 300 L ROUND TANK | | PURCHASE ORDER NO: | | | | |
| | | PURCHASER'S EQUIP. NO: | | | | |
| THIS DRAWING IS THE PROPERTY OF ROTOPLAST INC. AND SHALL NOT BE COPIED OR TRANSFERRED WITHOUT THE WRITTEN CONSENT OF ROTOPLAST INC. | | | | | | |
| ENGINEERS SEAL | | ACO CONTAINER SYSTEMS DIVISION OF ROTOPLAST INC. <small>PICKERING - ONTARIO - CANADA</small> | | | | |
| | | <small>ACO CONTAINER SYSTEMS</small> <small>DIVISION OF ROTOPLAST INC.</small> <small>794 MCKAY RD.</small> <small>PICKERING, ONTARIO, CANADA</small> <small>TEL. 905-683-8222</small> <small>FAX 905-683-2969</small> | | <small>DESIGNED</small> <small>DRAWN</small> WM <small>CHECKED</small> <small>APPROVED</small> <small>SCALE</small> N.T.S. <small>DATE</small> JAN-31-2024 | | |
| DWG No | | RT-300 | | | REV | 0 |