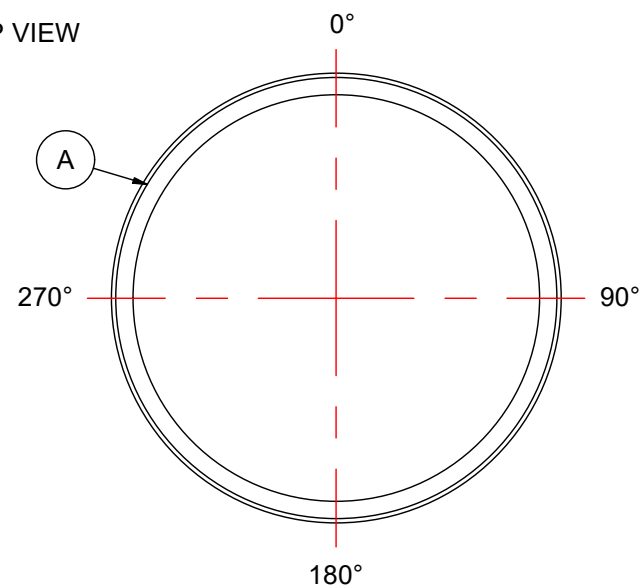


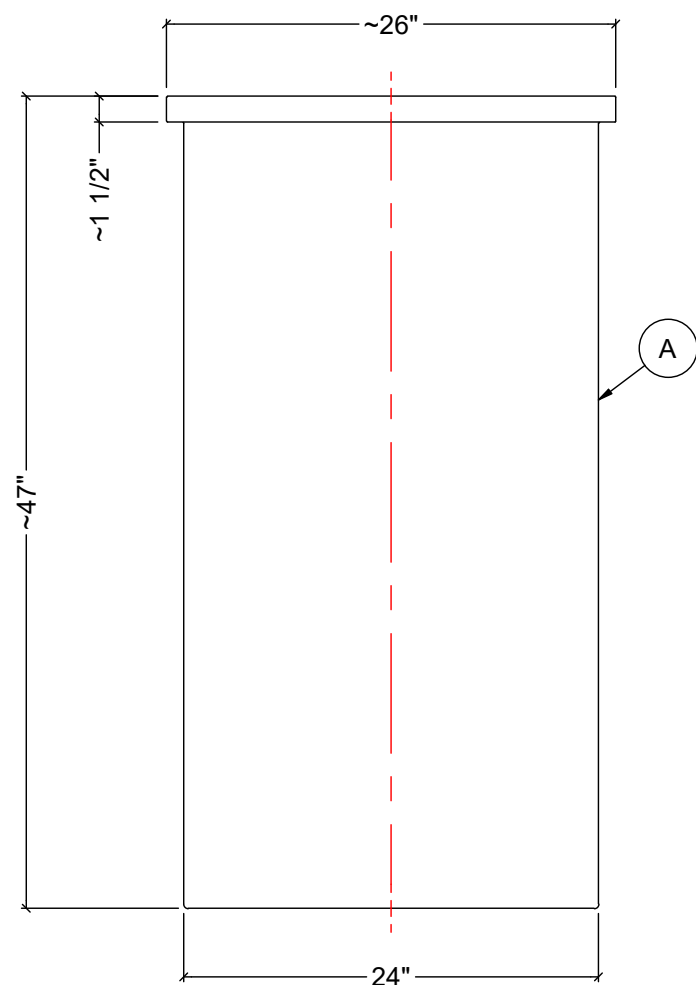
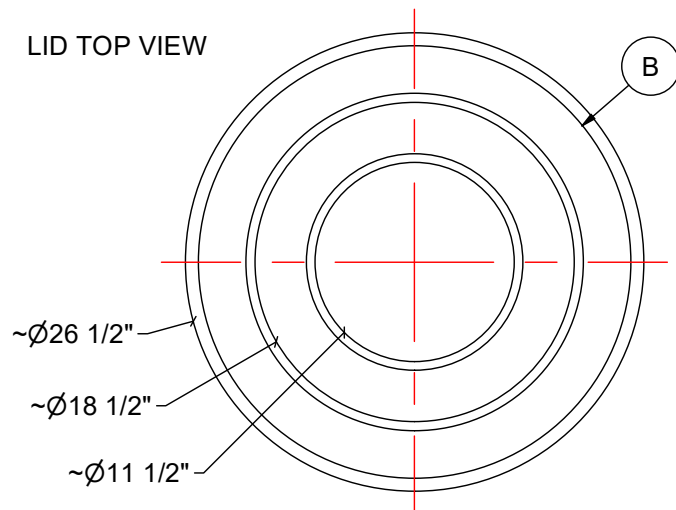
TOP VIEW



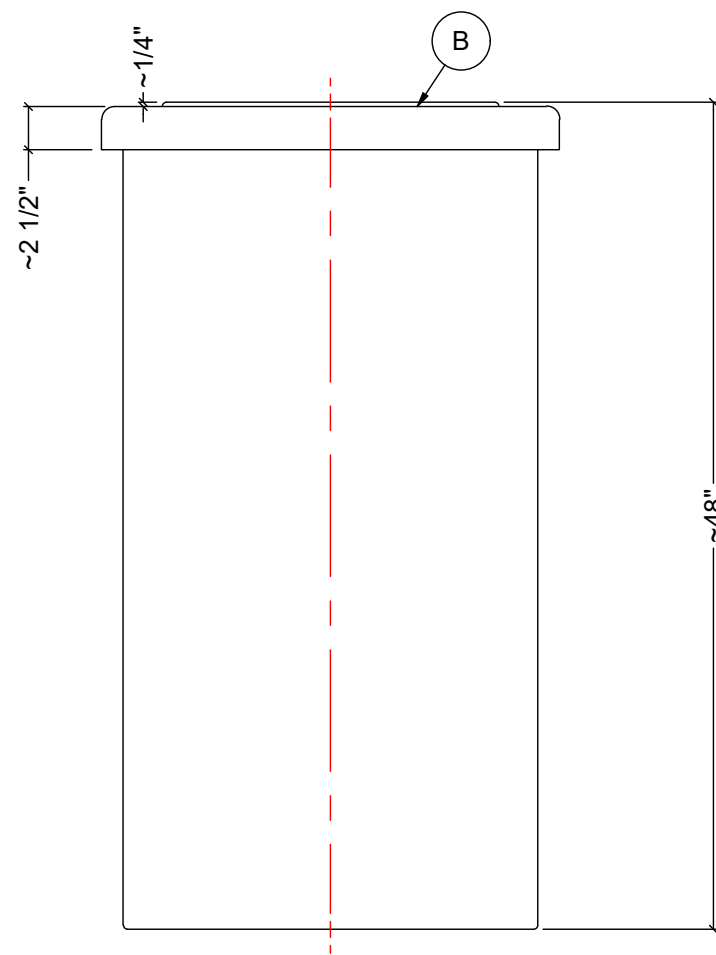
NOTES:

1. TANK IS MANUFACTURED FROM POLYETHYLENE (HDPE) OR CROSSLINK PE (XLPE).
2. RATING FOR STORING LIQUIDS WITH A SPECIFIC GRAVITY (DENSITY) OF 1.5SG. (1.9SG OR 2.2SG ALSO AVAILABLE)
3. ALL TANK DIMENSIONS ARE SUBJECT TO A +/-3% TOLERANCE.
4. ALL EXTERNAL PIPING AND ACCESSORIES MUST BE FULLY SUPPORTED AND FLEXIBLE TO AVOID STRESSING THE TANK.
5. FITTING GASKETS AVAILABLE IN EPDM OR VITON.

LID TOP VIEW

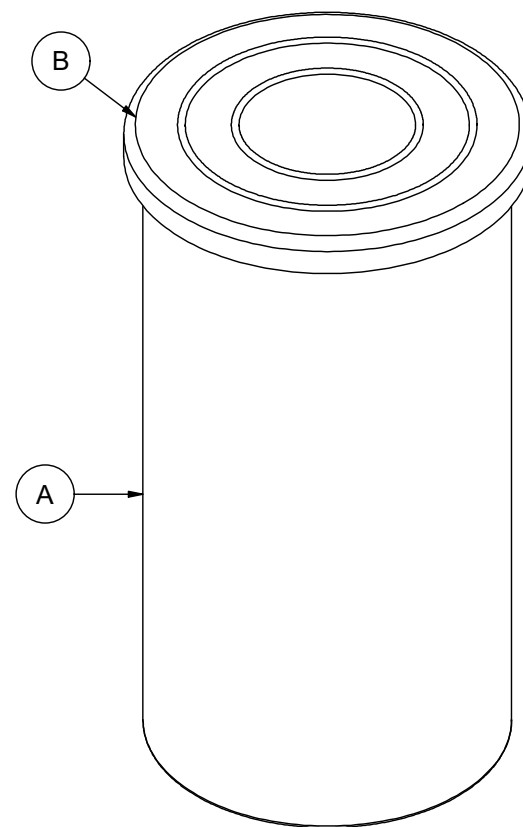


FRONT VIEW



SIDE VIEW WITH LID

| MATERIALS LIST | | |
|----------------|---------------------|-------|
| ITEMS | DESCRIPTION | NOTES |
| A | OT-75 OPEN TOP TANK | |
| B | LID FOR OT-75 | |
| | | |
| | | |
| | | |
| | | |
| | | |
| | | |



| REV | DATE | DESCRIPTION | BY | APPD | REVD |
|---|------|--|----------------------|------------------------|-----------------------------|
| REVISIONS | | | | | |
| CUSTOMER | | | | | |
| TITLE | | ACO JOB NO: | | | |
| 75 IG OPEN TOP TANK | | PURCHASE ORDER NO: | | | |
| | | PURCHASER'S EQUIP. NO: | | | |
| THIS DRAWING IS THE PROPERTY OF ROTOPLAST INC. AND SHALL NOT BE COPIED OR TRANSFERRED WITHOUT THE WRITTEN CONSENT OF ROTOPLAST INC. | | | | | |
| ENGINEERS SEAL | | ACO CONTAINER SYSTEMS DIVISION OF ROTOPLAST INC. | | | |
| <small>PICKERING - ONTARIO - CANADA</small> | | | | | |
| <small>ACO CONTAINER SYSTEMS DIVISION OF ROTOPLAST INC. 794 MCKAY RD. PICKERING, ONTARIO, CANADA TEL. 905-683-8222 FAX 905-683-2969</small> | | <small>DESIGNED</small> | <small>DRAWN</small> | <small>CHECKED</small> | <small>APPROVED</small> |
| | | | WM | | |
| | | <small>SCALE</small> | <small>DATE</small> | <small>N.T.S.</small> | <small>08-03-16</small> |
| <small>DWG No</small> | | OT-75-L | | | <small>REV</small> 0 |