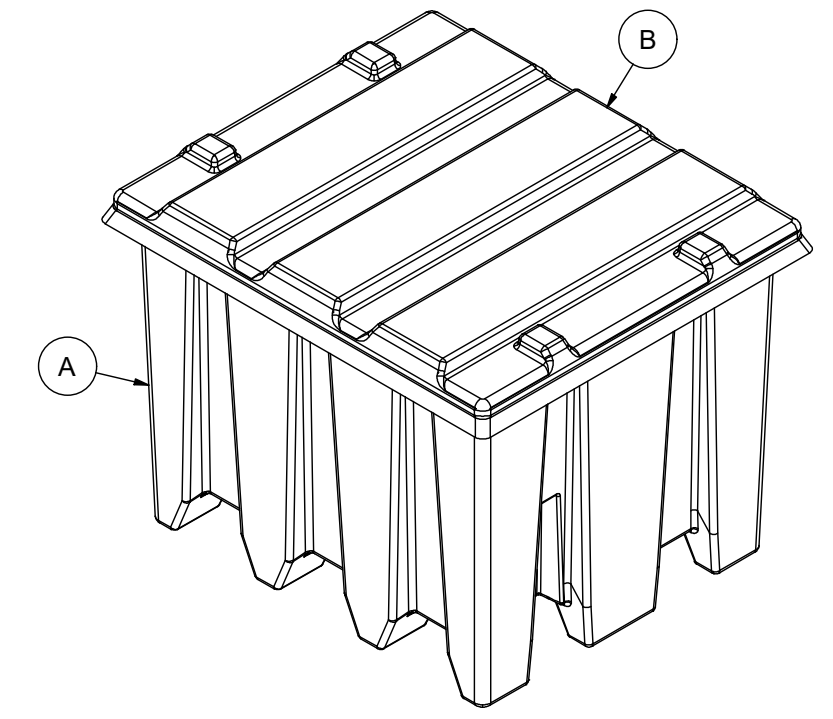
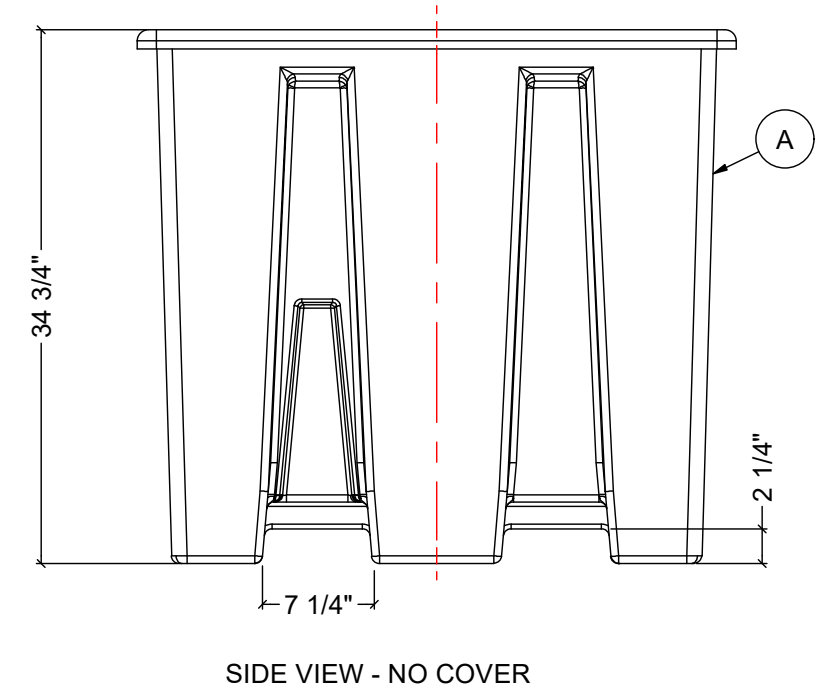
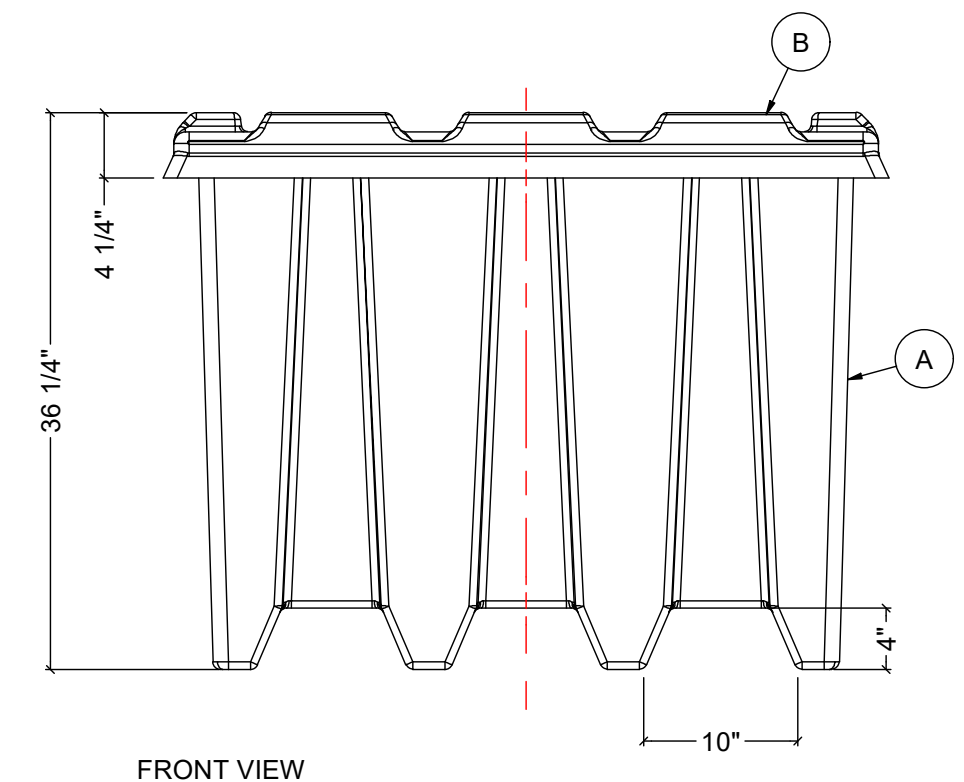
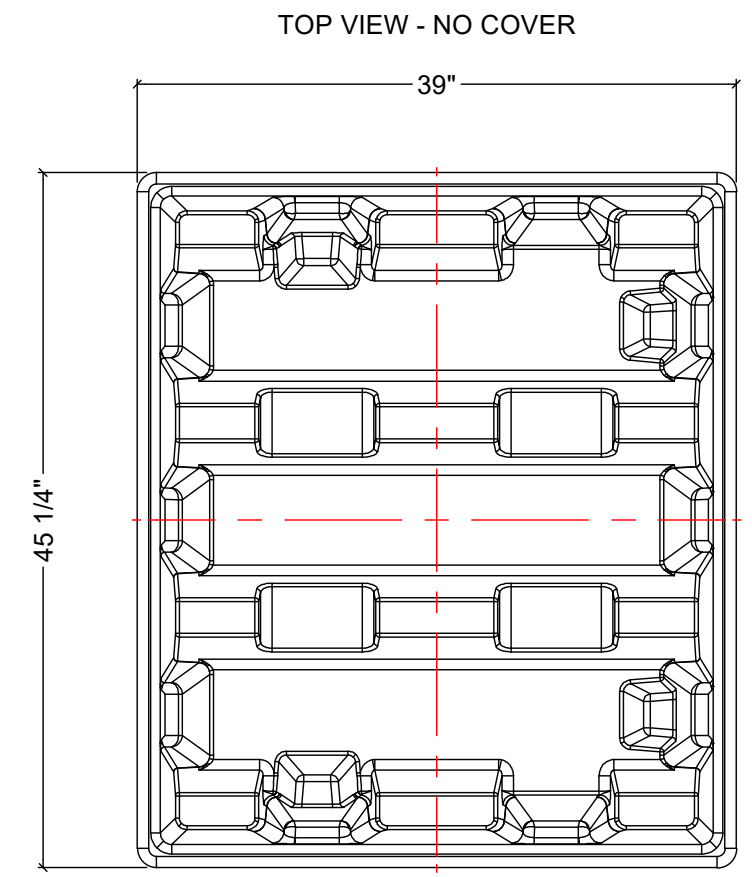
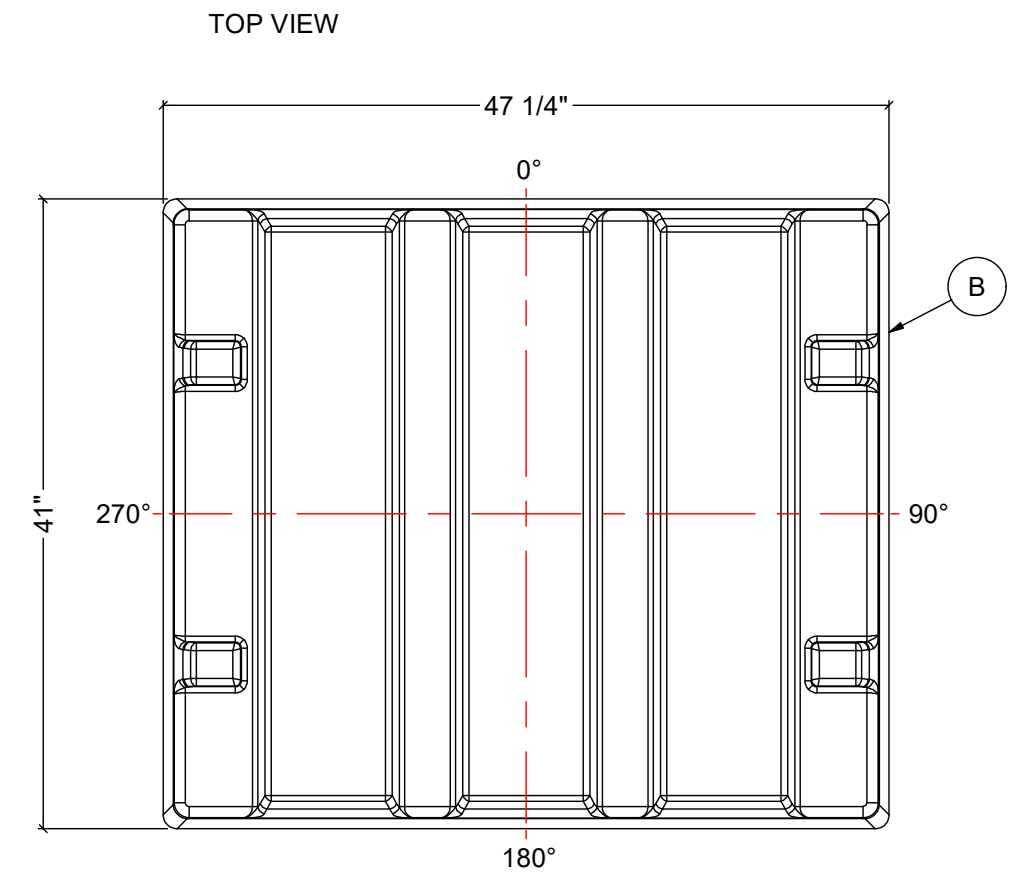


MATERIALS LIST		
ITEMS	DESCRIPTION	NOTES
A	160 IG OPEN TOP MATERIAL HANDLING CONTAINER	
B	REMOVABLE COVER FOR MATERIAL HANDLING CONTAINER	

- NOTES:
1. TANK IS MANUFACTURED FROM POLYETHYLENE (PE).
 2. ALL TANK DIMENSIONS ARE SUBJECT TO A +/-3% TOLERANCE.
 4. ALL EXTERNAL PIPING AND ACCESSORIES MUST BE FULLY SUPPORTED AND FLEXIBLE TO AVOID STRESSING THE TANK.
 5. FITTING GASKETS AVAILABLE IN EPDM OR VITON.



REV	DATE	DESCRIPTION	BY	APPD	REVD
REVISIONS					
CUSTOMER					
TITLE		ACO JOB NO:			
160IG MATERIAL HANDLING CONTAINER		PURCHASE ORDER NO:			
		PURCHASER'S EQUIP. NO:			
THIS DRAWING IS THE PROPERTY OF ROTOPLAST INC. AND SHALL NOT BE COPIED OR TRANSFERRED WITHOUT THE WRITTEN CONSENT OF ROTOPLAST INC.					
ENGINEERS SEAL		ACO CONTAINER SYSTEMS DIVISION OF ROTOPLAST INC. <small>PICKERING - ONTARIO - CANADA</small>			
		DESIGNED			
		DRAWN			WM
		CHECKED			
		APPROVED			
		SCALE			N.T.S.
		DATE			30-09-16
DWG No		MH-160			REV 0