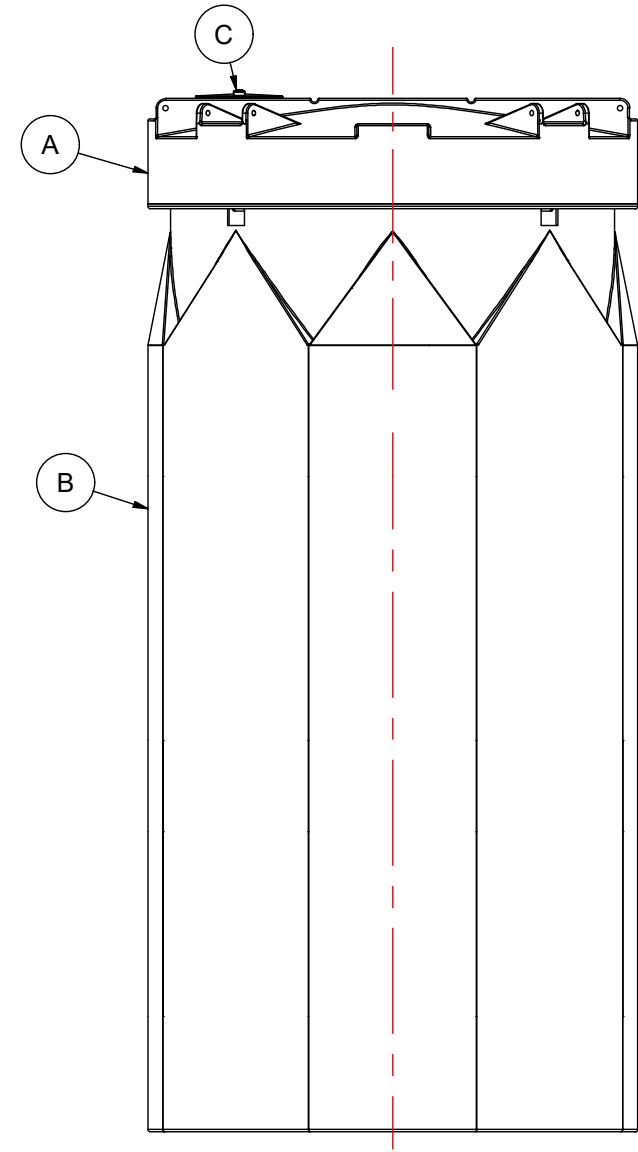
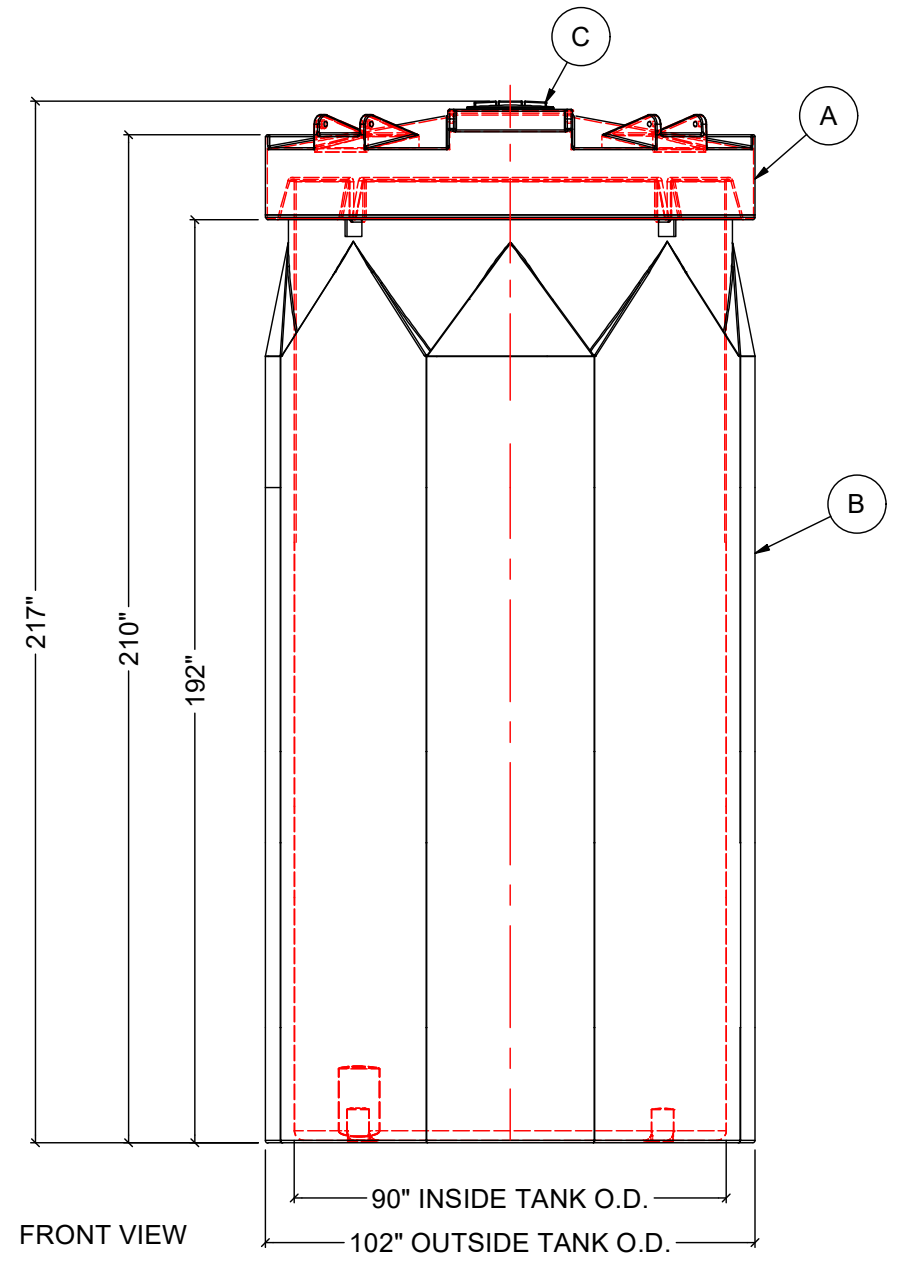
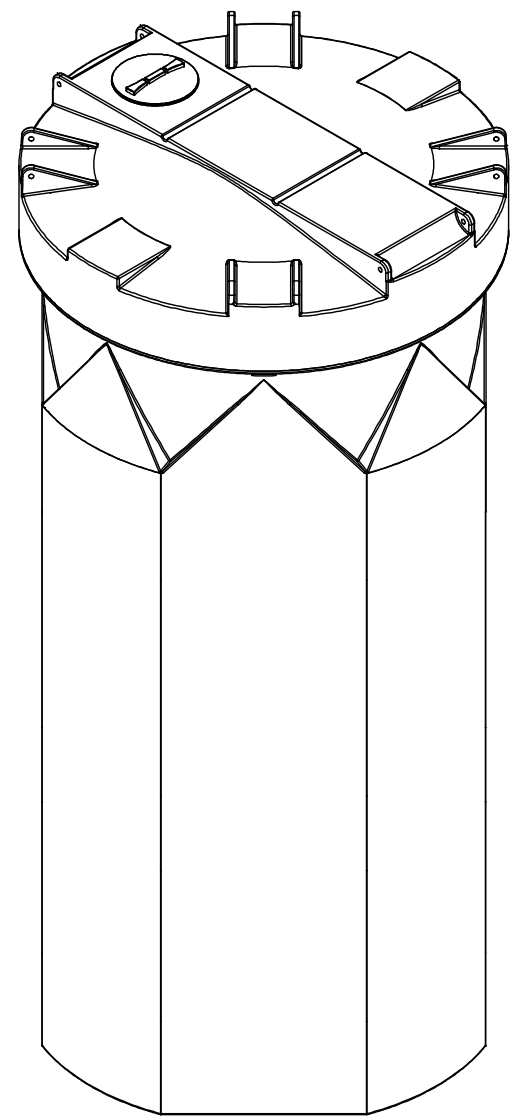


- NOTES:
1. TANK IS MANUFACTURED FROM POLYETHYLENE (PE) OR CROSSLINK PE (XLPE).
  2. RATING FOR STORING LIQUIDS WITH A SPECIFIC GRAVITY (DENSITY) OF 1.5SG. (1.9SG OR 2.2SG ALSO AVAILABLE)
  3. ALL TANK DIMENSIONS ARE SUBJECT TO A +/-3% TOLERANCE.
  4. ALL EXTERNAL PIPING AND ACCESSORIES MUST BE FULLY SUPPORTED AND FLEXIBLE TO AVOID STRESSING THE TANK.
  5. FITTING GASKETS AVAILABLE IN EPDM OR VITON.
  6. TANK MUST BE PROPERLY VENTED TO PREVENT PRESSURE OR VACUUM FROM DEVELOPING AS THE TANK IS FILLING OR EMPTYING.
  7. STANDARD LID IS 16" NON-VENTED. LID ALSO AVAILABLE IN 15" OR 21" VENTED OR NON-VENTED.
  8. TANK IS MANUFACTURED TO ASTM-D-1998 STANDARD

MATERIALS LIST		
ITEMS	DESCRIPTION	NOTES
A	DCT-4102 PRIMARY TANK	
B	DCT-4102 CONTAINMENT TANK	
C	15" THREADED LID	



REV	DATE	DESCRIPTION	BY	APPD	REVD
REVISIONS					
CUSTOMER					
TITLE			ACO JOB NO:		
4100 IG DOUBLE WALL TANK			PURCHASE ORDER NO:		
			PURCHASER'S EQUIP. NO:		
THIS DRAWING IS THE PROPERTY OF ROTOPLAST INC. AND SHALL NOT BE COPIED OR TRANSFERRED WITHOUT THE WRITTEN CONSENT OF ROTOPLAST INC.					
ENGINEERS SEAL		<b>ACO CONTAINER SYSTEMS</b> DIVISION OF ROTOPLAST INC. <small>PICKERING - ONTARIO - CANADA</small> ACO CONTAINER SYSTEMS DIVISION OF ROTOPLAST INC. 794 MCKAY RD. PICKERING, ONTARIO, CANADA TEL. 905-683-8222 FAX 905-683-2969 <small>DWG No</small>			
		DESIGNED		DRAWN	
		CHECKED		APPROVED	
		SCALE		DATE	
		N.T.S.		31-03-16	
DCT-4102			REV 0		