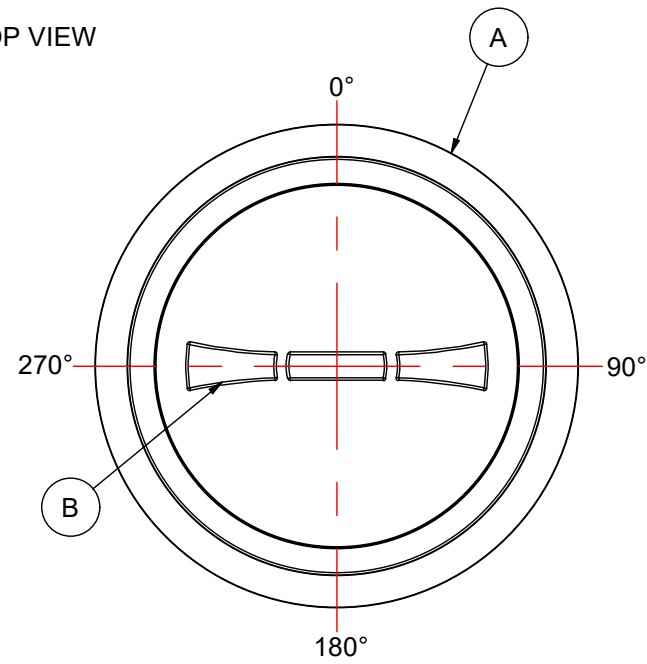
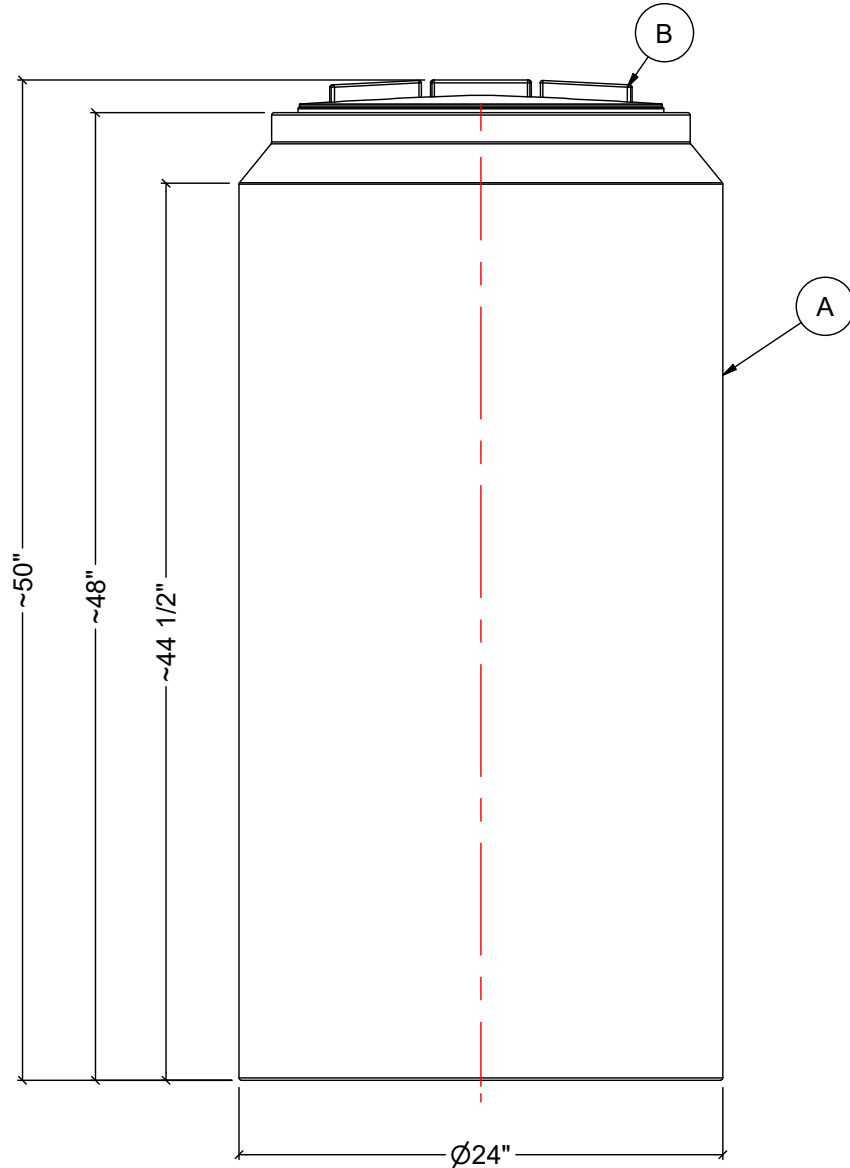


TOP VIEW

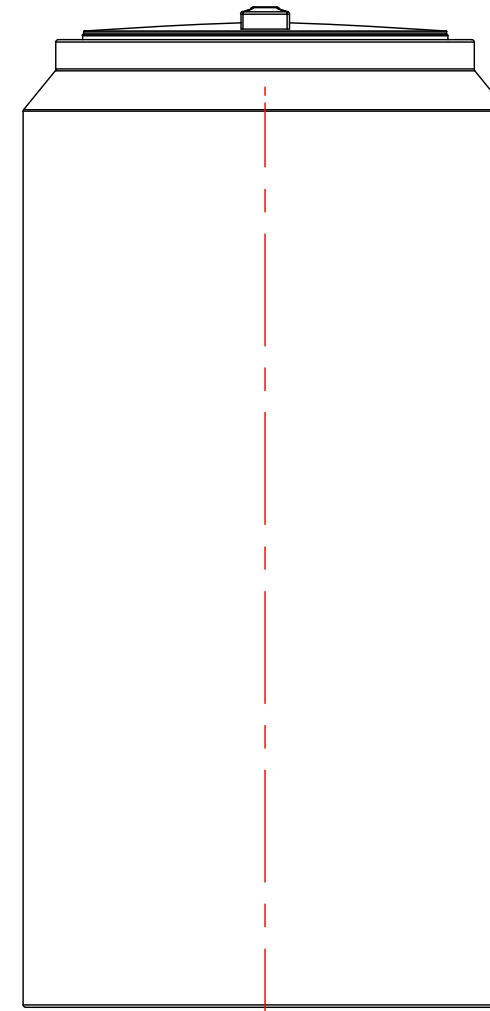


- NOTES:
1. TANK IS MANUFACTURED FROM POLYETHYLENE (PE) OR CROSSLINK PE (XLPE).
 2. RATED FOR STORING LIQUIDS WITH A SPECIFIC GRAVITY (DENSITY) OF 1.5SG OR LOWER. (1.9SG OR 2.2SG ALSO AVAILABLE)
 3. ALL TANK DIMENSIONS ARE SUBJECT TO A +/-3% TOLERANCE.
 4. ALL EXTERNAL PIPING AND ACCESSORIES MUST BE FULLY SUPPORTED AND FLEXIBLE TO AVOID STRESSING THE TANK.
 5. FITTING GASKETS AVAILABLE IN EPDM OR VITON.
 6. TANK MUST BE PROPERLY VENTED TO PREVENT PRESSURE OR VACUUM FROM DEVELOPING AS THE TANK IS FILLING OR EMPTYING.

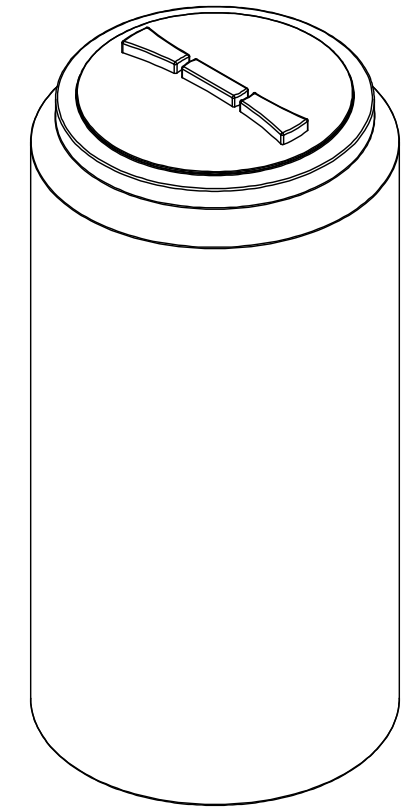
| MATERIALS LIST | | |
|----------------|-------------------------|----------------------|
| ITEMS | DESCRIPTION | NOTES |
| A | CT-70 CLOSED TOP TANK | |
| B | 15" THREADED MCPHEE LID | NON-VENTED OR VENTED |
| | | |
| | | |
| | | |
| | | |




FRONT VIEW



SIDE VIEW



| REV | DATE | DESCRIPTION | BY | APPD | REVD |
|---|------|---|---|---------------------|-------------|
| REVISIONS | | | | | |
| CUSTOMER | | | | | |
| TITLE 70 IG / 84 USG / 310 L CLOSED TOP TANK | | | ACO JOB NO: PURCHASE ORDER NO: PURCHASER'S EQUIP. NO: | | |
| THIS DRAWING IS THE PROPERTY OF ROTOPLAST INC. AND SHALL NOT BE COPIED OR TRANSFERRED WITHOUT THE WRITTEN CONSENT OF ROTOPLAST INC. | | |  | | |
| ENGINEERS SEAL | | ACO CONTAINER SYSTEMS DIVISION OF ROTOPLAST INC. 794 MCKAY ROAD PICKERING, ONTARIO, CANADA TEL: 905-683-8222 WEB: ACOTAINERS.COM | | DESIGNED DRAWN | WM |
| | | | | CHECKED APPROVED | |
| | | | | SCALE | N.T.S. |
| | | | | DATE | NOV-10-2023 |
| DWG No | | CT-70-2024 | | | REV 0 |