

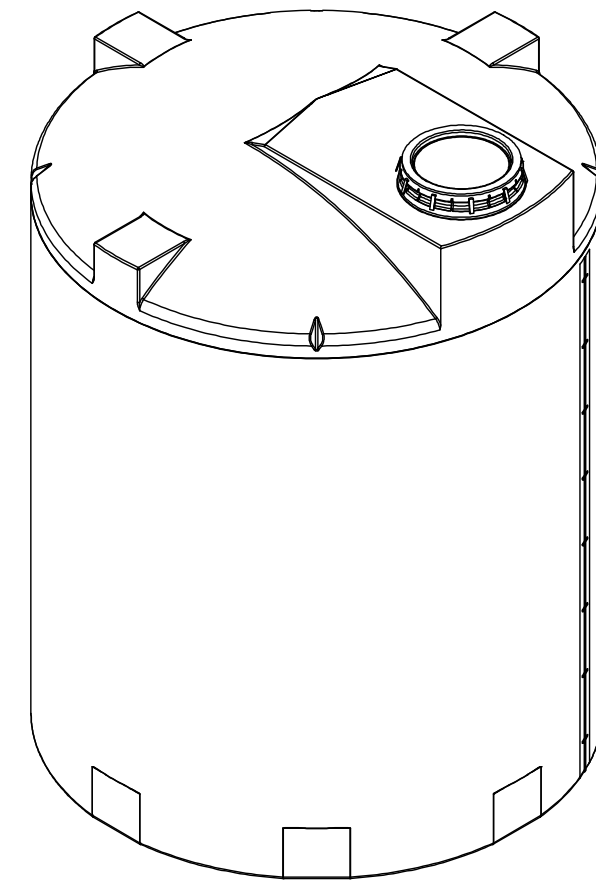
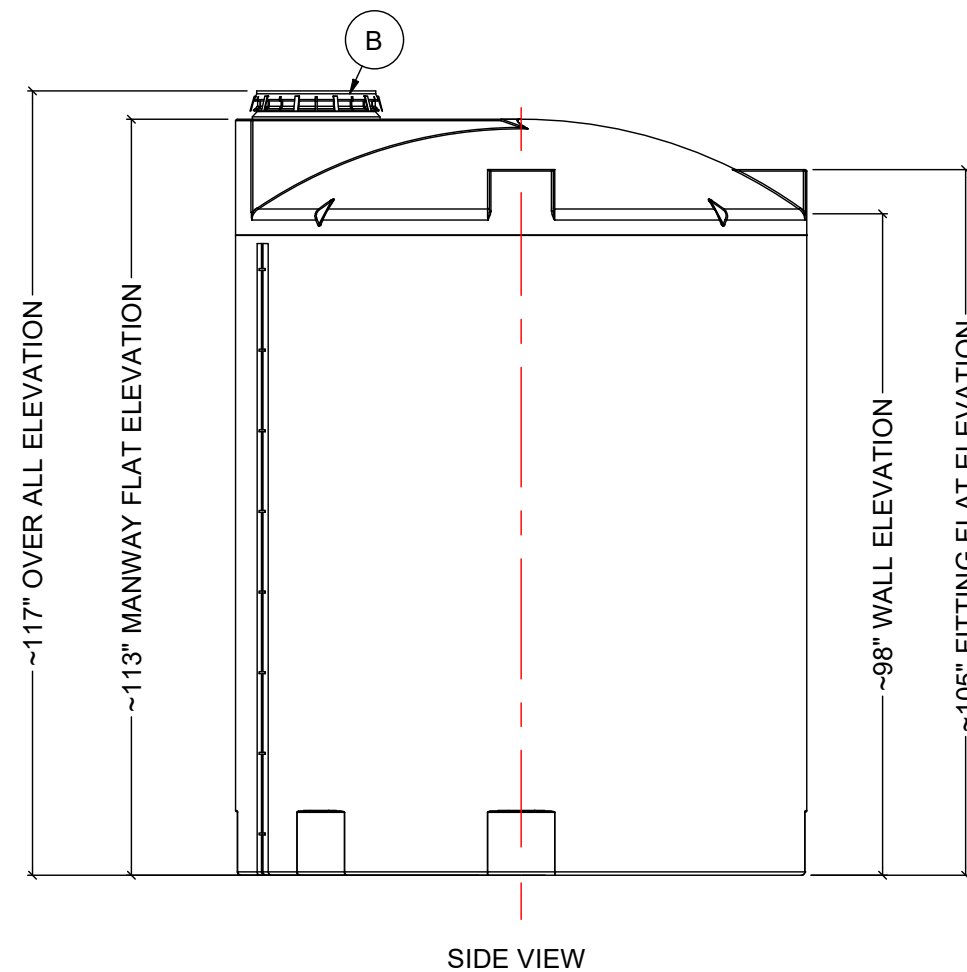
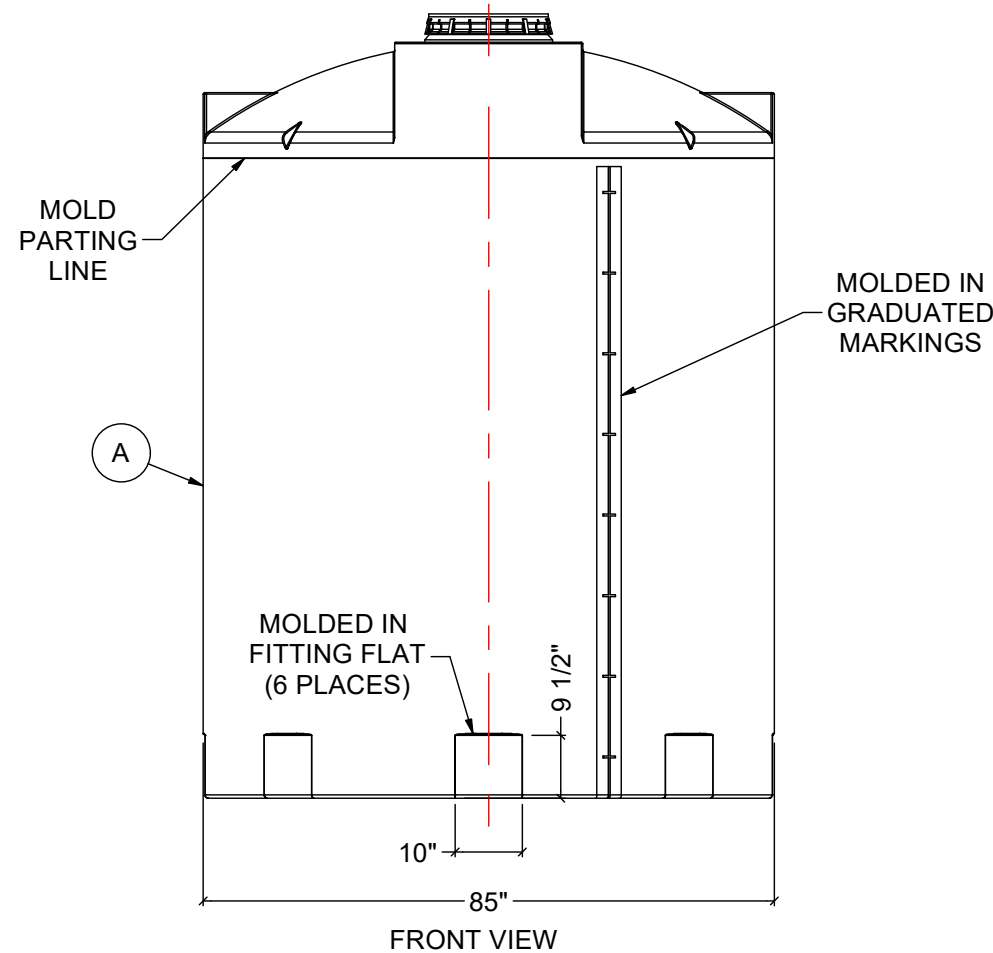
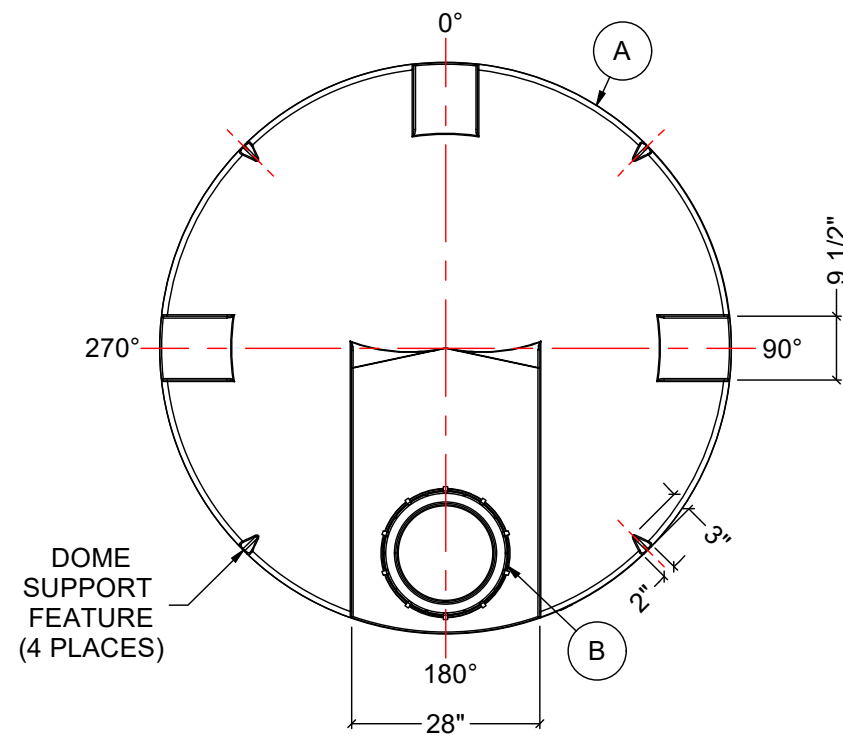
MATERIALS LIST

ITEMS	DESCRIPTION	NOTES
A	CT-2000 CLOSED TOP TANK	
B	16" LID WITH LOCKING STRAP	

NOTES:

1. TANK IS MANUFACTURED FROM POLYETHYLENE (PE) OR CROSSLINK PE (XLPE).
2. RATED FOR STORING LIQUIDS WITH A SPECIFIC GRAVITY (DENSITY) OF 1.5SG.(1.9SG OR 2.2SG ALSO AVAILABLE)
3. ALL TANK DIMENSIONS ARE SUBJECT TO A +/-3% TOLERANCE.
4. ALL EXTERNAL PIPING AND ACCESSORIES MUST BE FULLY SUPPORTED AND FLEXIBLE TO AVOID STRESSING THE TANK.
5. FITTING GASKETS AVAILABLE IN EPDM OR VITON.
6. TANK MUST BE PROPERLY VENTED TO PREVENT PRESSURE OR VACUUM FROM DEVELOPING AS THE TANK IS FILLING OR EMPTYING.
7. TANK IS MANUFACTURED TO ASTM-D-1998 STANDARD.

TOP VIEW



REV	DATE	DESCRIPTION	BY	APPD	REVD
1	2018-03-28	UPDATED TANK DIMS AND FEATURES	WM		

CUSTOMER

TITLE: 2000 IG CLOSED TOP TANK  
 ACO JOB NO:  
 PURCHASE ORDER NO:  
 PURCHASER'S EQUIP. NO:

THIS DRAWING IS THE PROPERTY OF ROTOPLAST INC. AND SHALL NOT BE COPIED OR TRANSFERRED WITHOUT THE WRITTEN CONSENT OF ROTOPLAST INC.

ACO CONTAINER SYSTEMS  
 A division of Rotoplast Inc.

ENGINEERS SEAL	ACO CONTAINER SYSTEMS DIVISION OF ROTOPLAST INC. 794 MCKAY ROAD PICKERING, ONTARIO, CANADA TEL: 905-683-8222 WEB: ACOTAINERS.COM	DESIGNED DRAWN CHECKED APPROVED SCALE DATE	WM    N.T.S. 02-03-16
----------------	---	---	--------------------------------------