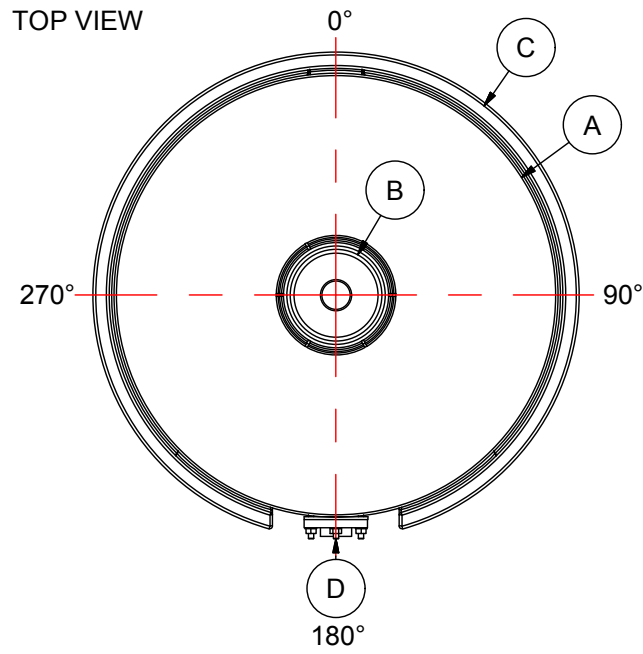


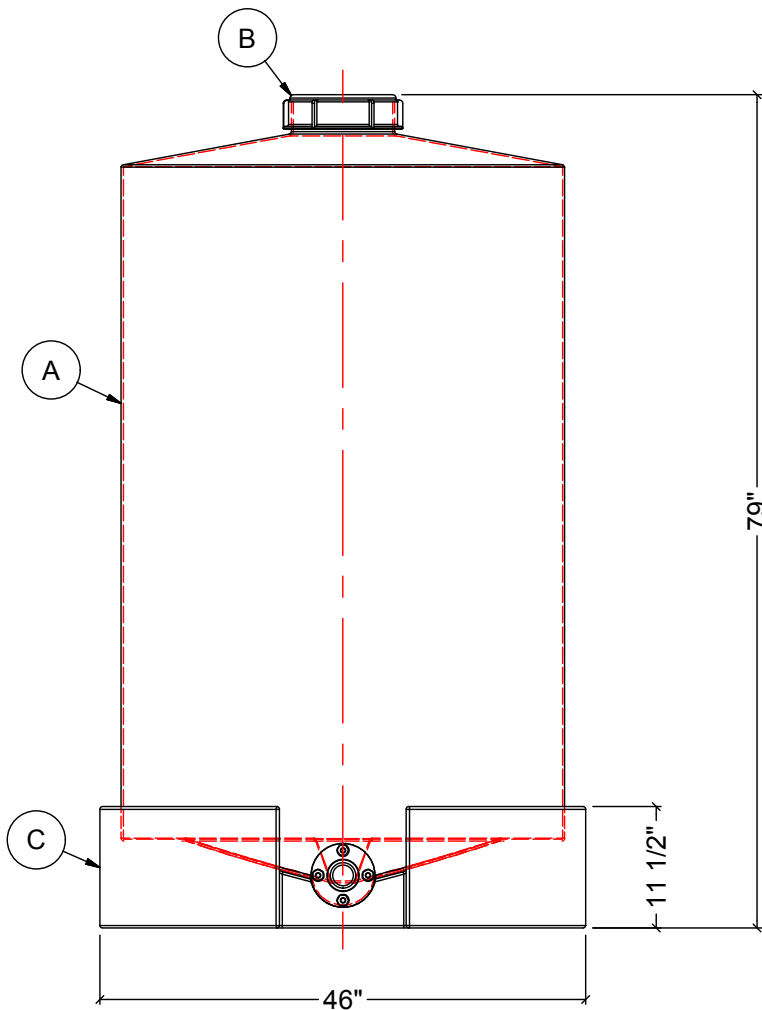
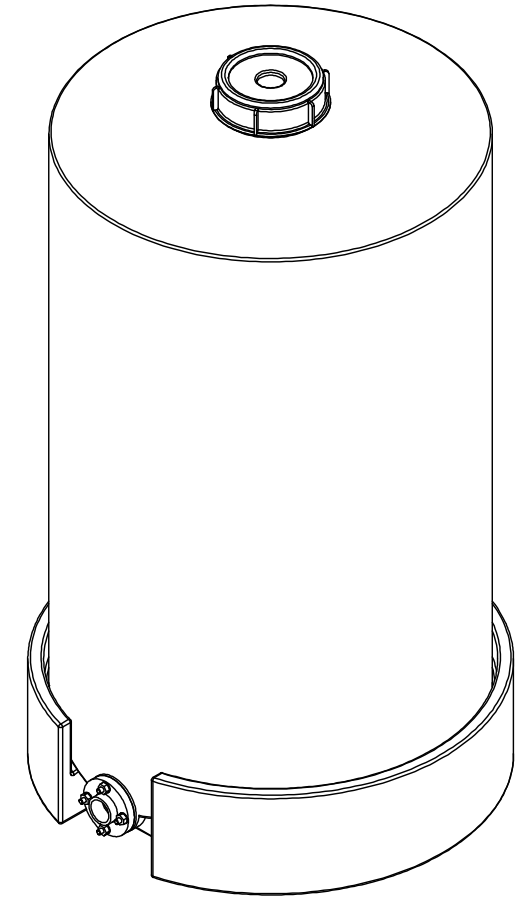
TOP VIEW



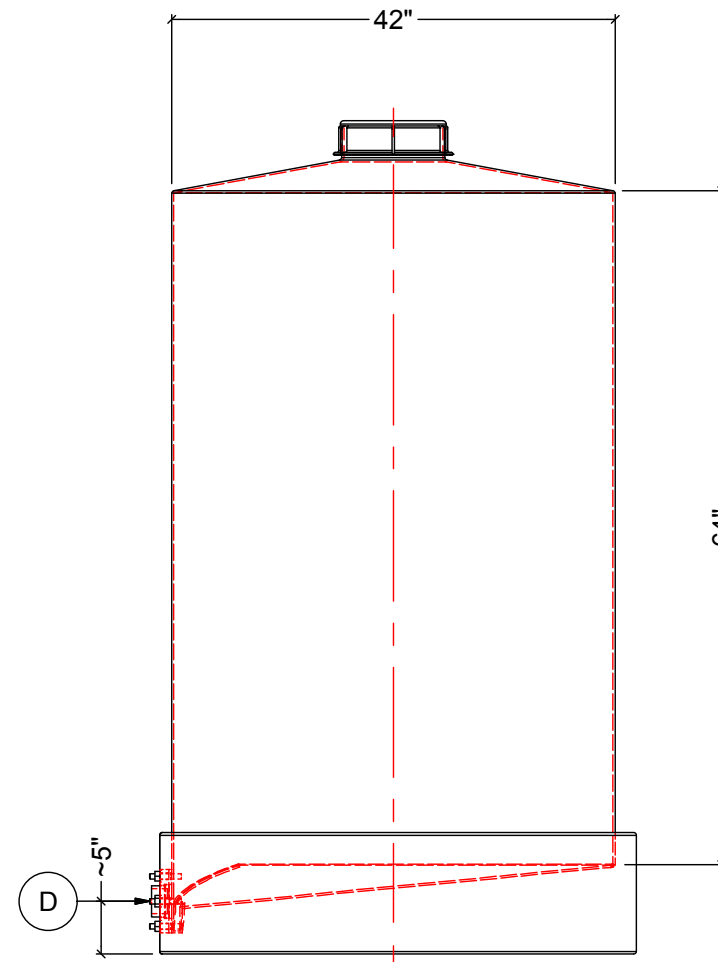
NOTES:

1. TANK IS MANUFACTURED FROM HDPE OR XLPE. (1.5 SG)
2. TANK IS MANUFACTURED TO ASTM-D-1998 STANDARD.
3. ACO RECOMMENDS ALL FLANGE GASKETS TO BE MIN. 1/4" THICK.
4. ALL FITTING GASKETS ARE EPDM OR VITON.

MATERIALS LIST		
ITEMS	DESCRIPTION	NOTES
A	SB-300 SLOPED BOTTOM TANK	
C	HDPE BASE	
B	10" THREADED LID	
D	2" FNPT PVC FLANGE WITH MOUNTING HARDWARE	



FRONT VIEW



SIDE VIEW

REV	DATE	DESCRIPTION	BY	APPD	REVD
REVISIONS					
CUSTOMER					
TITLE			ACO JOB NO:		
300 IG SLOPED BOTTOM TANK			PURCHASE ORDER NO:		
			PURCHASER'S EQUIP. NO:		
THIS DRAWING IS THE PROPERTY OF ROTOPLAST INC. AND SHALL NOT BE COPIED OR TRANSFERRED WITHOUT THE WRITTEN CONSENT OF ROTOPLAST INC.					
ENGINEERS SEAL		<b>ACO CONTAINER SYSTEMS</b> DIVISION OF ROTOPLAST INC.			
<small>PICKERING - ONTARIO - CANADA</small>					
ACO CONTAINER SYSTEMS DIVISION OF ROTOPLAST INC. 794 MCKAY RD. PICKERING, ONTARIO, CANADA TEL. 905-683-8222 FAX 905-683-2969			DESIGNED		
			DRAWN	WM	
			CHECKED		
			APPROVED		
			SCALE	N.T.S.	
			DATE	04-04-16	
DWG No			SB-300		REV 0