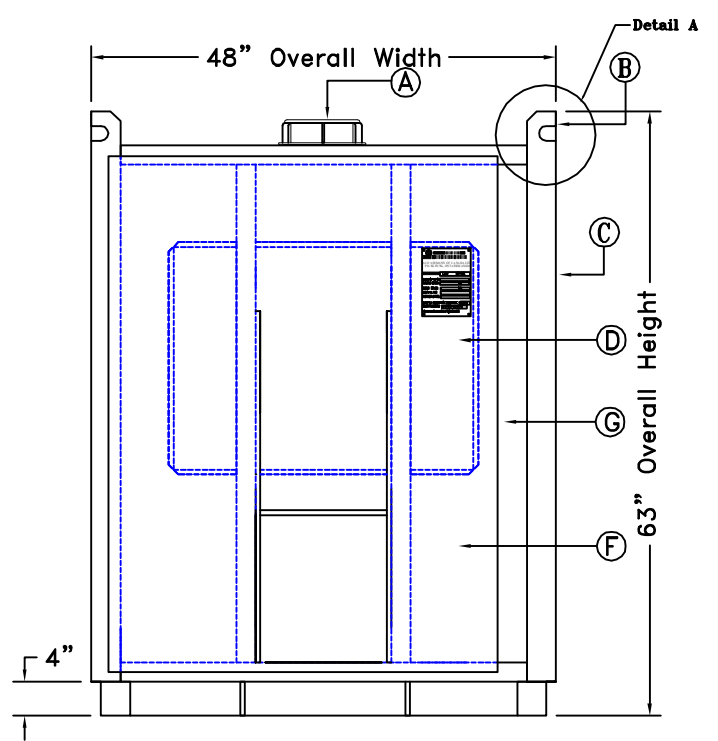
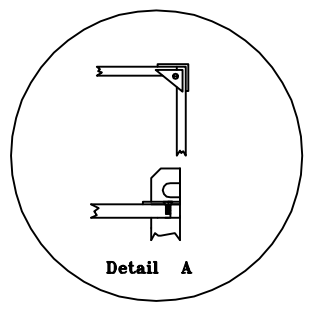
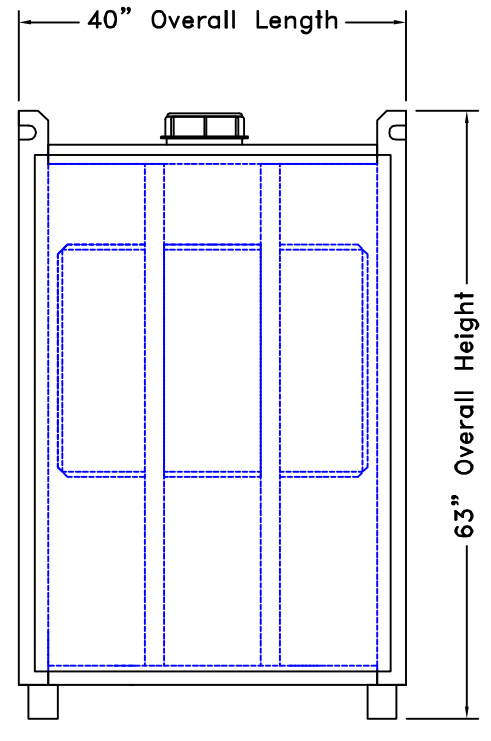


PLAN VIEW



FRONT VIEW



SIDE VIEW

NOZZLE SCHEDULE

ITEM	DESCRIPTIPON	SIZE"	REMARKS
A	MANHOLE	6	HDPE
B	STACKING BRACKET	--	
C	STEEL FRAME	3 X 3	ANGLE 3/16 THICK
D	STEEL SUPPORT PLATE	--	INNER
E	STORAGE CONTAINER	--	LLDPE / XLPE
F	STEEL SUPPORT PLATE	--	OUTER
G	SIGHT WINDOW (LEVEL)	--	CUT OUT OF PANEL

** ALL DIMENSIONS ARE APPROXIMATE **

NOTES:

1. TANK IS MANUFACTURED FROM HDPE. (1.5 SG)
2. TANK IS MANUFACTURED TO ASTM-D-1998 STANDARD.

REV	DATE	DESCRIPTION	BY	APPD	REVD
REVISIONS					
CUSTOMER					
TITLE		ACO JOB NO:	-		
FULLY ENCLOSED		PURCHASE ORDER NO:	-		
PTC-270TDA		PURCHASER'S EQUIP. NO:-			

THIS DRAWING IS THE PROPERTY OF ROTOPLAST INC. AND SHALL NOT BE COPIED OR TRANSFERRED WITHOUT THE WRITTEN CONSENT OF ROTOPLAST INC.

ENGINEERS SEAL

ACO CONTAINER SYSTEMS
DIVISION OF ROTOPLAST INC.

PICKERING - ONTARIO - CANADA

ACO CONTAINER SYSTEMS LTD. DESIGNED -
DIVISION OF ROTOPLAST INC. DRAWN -
794 MCKAY RD. CHECKED -
PICKERING, ONTARIO, CANADA APPROVED -
TEL. 905-683-8222 SCALE N.T.S.
FAX 905-683-2969 DATE -

DWG No **PTC-270-FE** REV **0**