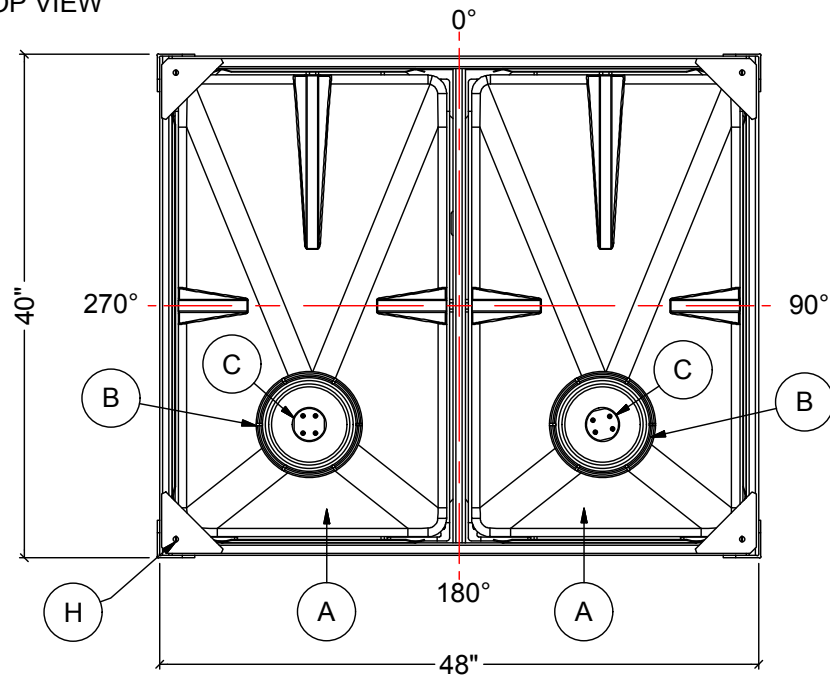


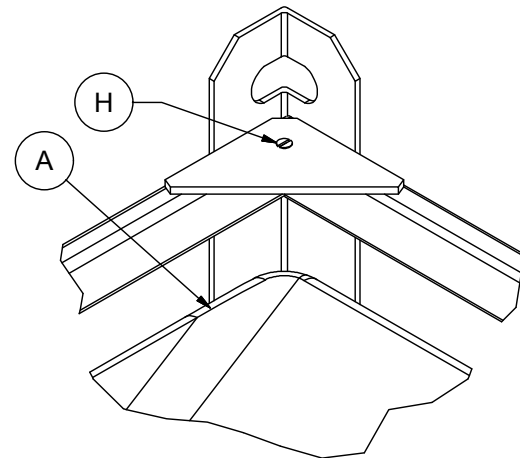
TOP VIEW



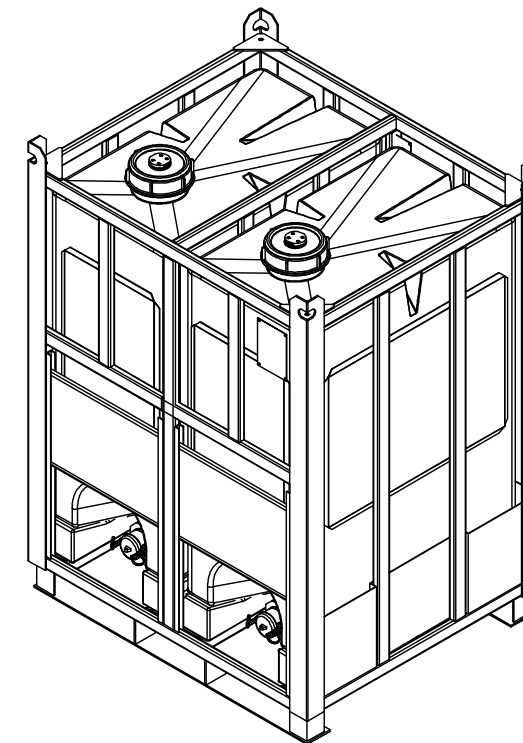
NOTES:

1. CAPACITY: 135 IMP GAL (615 L)
2. TARE WEIGHT: 695 LBS (315 KG)
3. PRIMARY MARKINGS: U.N. 31HA1/Y/

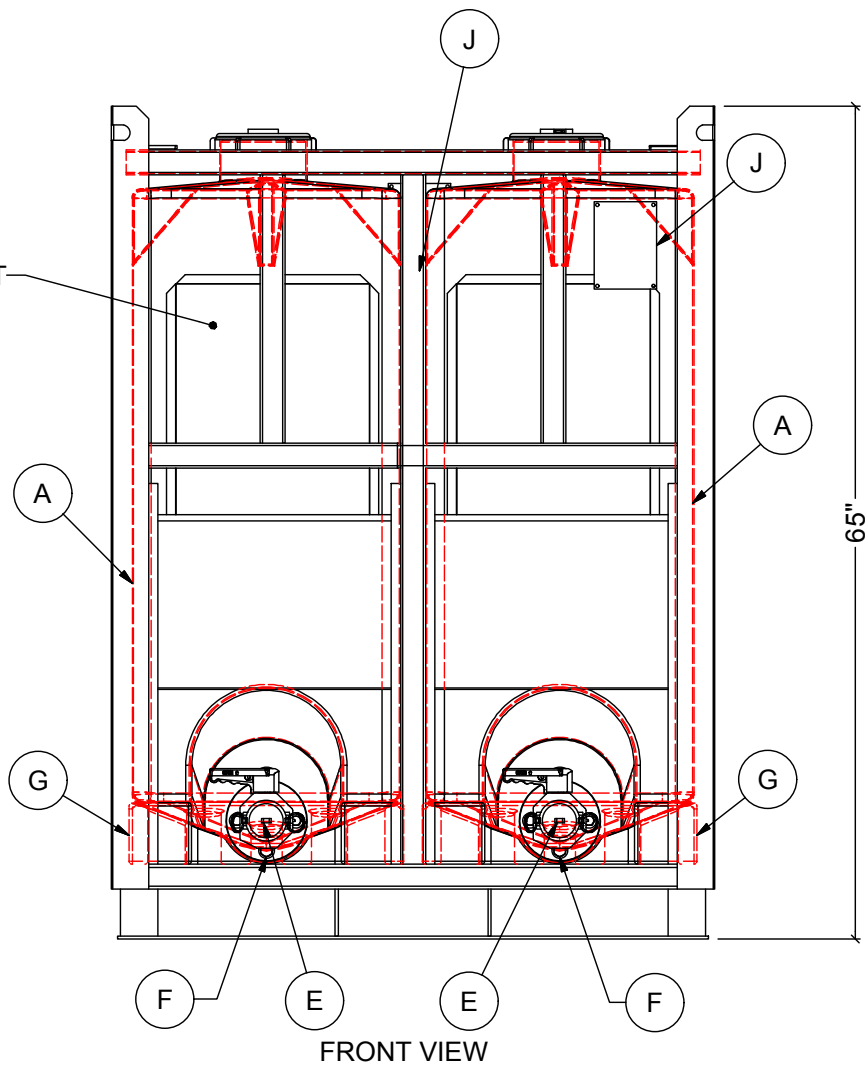
STACKING BRACKET DETAIL (H)



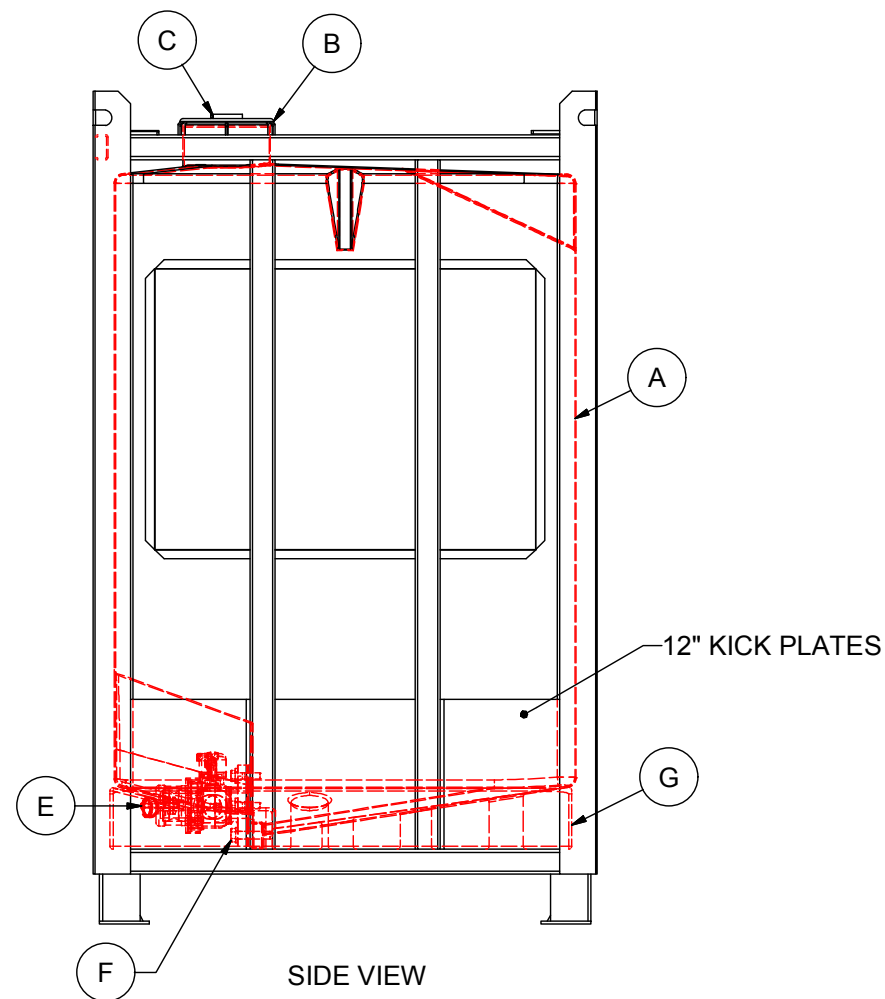
MATERIALS LIST			
ITEM	ITEM QTY	DESCRIPTION	NOTES
A	2	PTC-135 HDPE BOTTLE	
B	2	6" ORANGE HDPE THREADED LID WITH GASKET (EPDM OR VITON) AND TIE DOWN	
C	2	2" COMBI-VENT - VACUUM AND PRESSURE RELIEF (OPTIONAL)	IN LID
D	1	STEEL FRAME WITH 12" KICK PLATES AND VALVE PROTECTION GATES	
E	2	2" BALL VALVE (POLYPRO OR STAINLESS STEEL) WITH GASKET (EPDM OR VITON)	FNPT OR CAMLOC
F	2	VALVE MOUNTING HARDWARE KIT	
G	2	BLACK POLY FRAME PILLOW	
H	4	FRAME CORNER STACKING BRACKET WITH SCREW	
J	2	ALUMINUM U.N. FRAME TAG	



INNER SUPPORT PLATE



FRONT VIEW



SIDE VIEW

REV	DATE	DESCRIPTION	BY	APPD	REVD
REVISIONS					
CUSTOMER					
TITLE		ACO JOB NO:			
TWO 135 IG PALLET TANKS		PURCHASE ORDER NO:			
		PURCHASER'S EQUIP. NO:			
THIS DRAWING IS THE PROPERTY OF ROTOPLAST INC. AND SHALL NOT BE COPIED OR TRANSFERRED WITHOUT THE WRITTEN CONSENT OF ROTOPLAST INC.					
ENGINEERS SEAL		ACO CONTAINER SYSTEMS DIVISION OF ROTOPLAST INC. <small>PICKERING - ONTARIO - CANADA</small> ACO CONTAINER SYSTEMS DIVISION OF ROTOPLAST INC. 794 MCKAY RD. PICKERING, ONTARIO, CANADA TEL. 905-683-8222 FAX 905-683-2969 DWG No			
		DESIGNED		DRAWN	
		CHECKED		WM	
		APPROVED		SCALE	
		DATE		N.T.S.	
		PTC-2-135		04-04-16	
		REV		0	