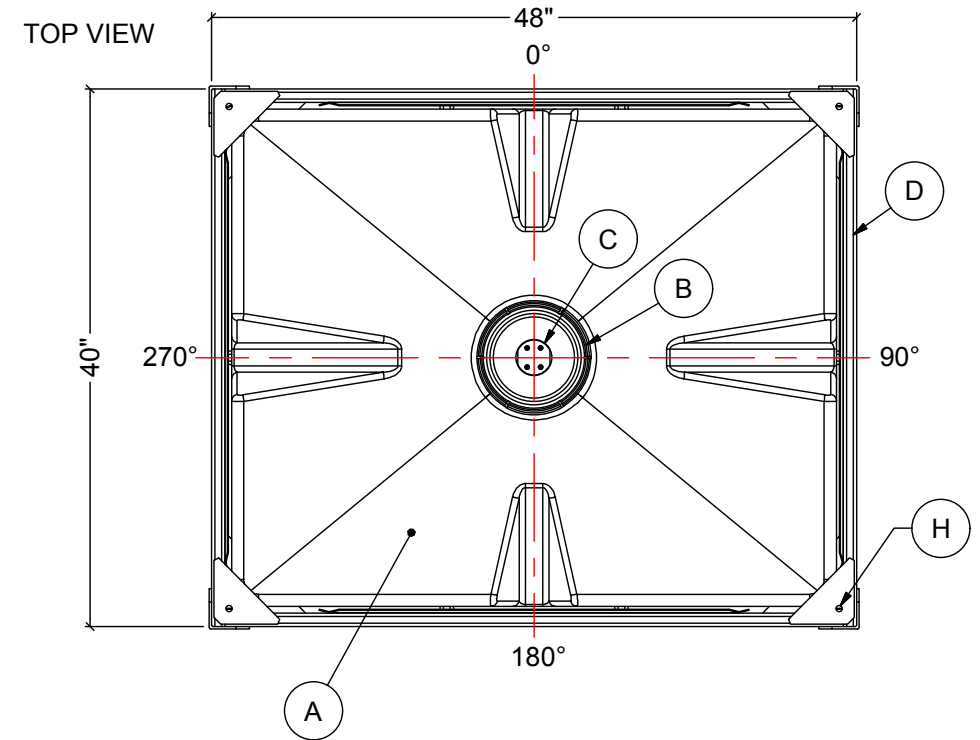


MATERIALS LIST		
ITEMS	DESCRIPTION	NOTES
A	PTC-125 HDPE BOTTLE	
B	6" ORANGE HDPE THREADED LID WITH GASKET AND TIE DOWN (EPDM OR VITON)	
C	2" COMBI-VENT - VACUUM AND PRESSURE RELIEF (OPTIONAL)	IN LID
D	STEEL FRAME WITH 9" KICKPLATES AND VALVE PROTECTION GATE	
E	2" BALL VALVE (POLYPRO OR STAINLESS STEEL) WITH GASKET (EPDM OR VITON)	FNPT OR CAMLOC
F	VALVE MOUNTING HARDWARE KIT	
G	BLACK POLY FRAME PILLOW	
H	FRAME CORNER STACKING BRACKET W/ SCREW	4 PLACES
J	ALUMINUM U.N. FRAME TAG	

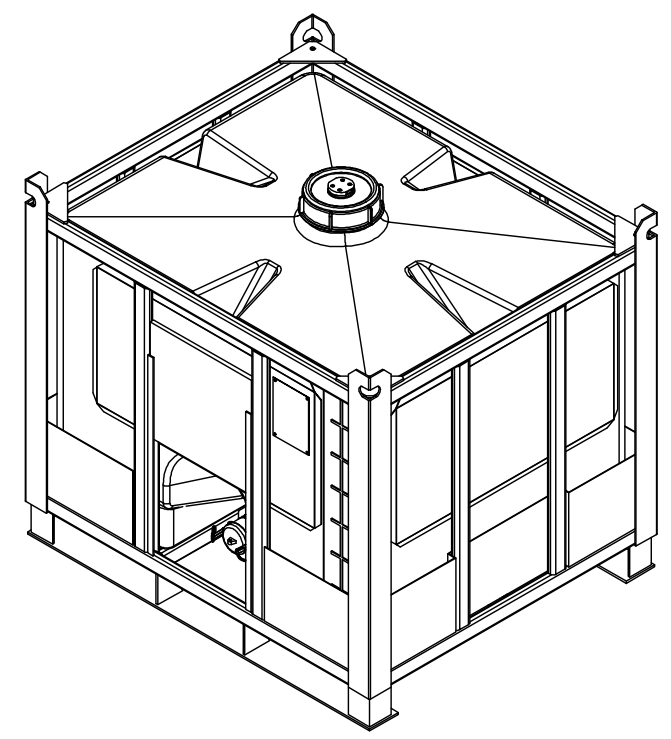
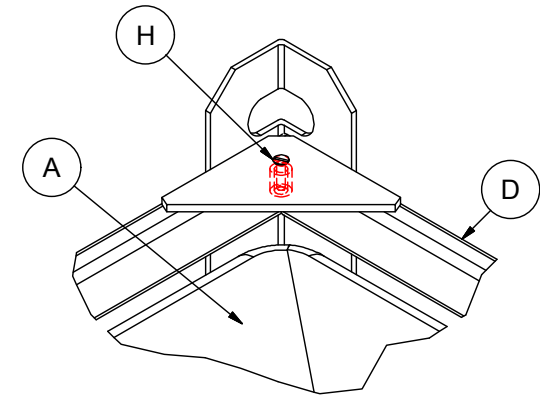
NOTES:

1. CAPACITY: 125 IMP GAL (570 L)
2. TARE WEIGHT: 350 LBS (150 KG)
3. PRIMARY MARKINGS: U.N. 31HA1/Y/

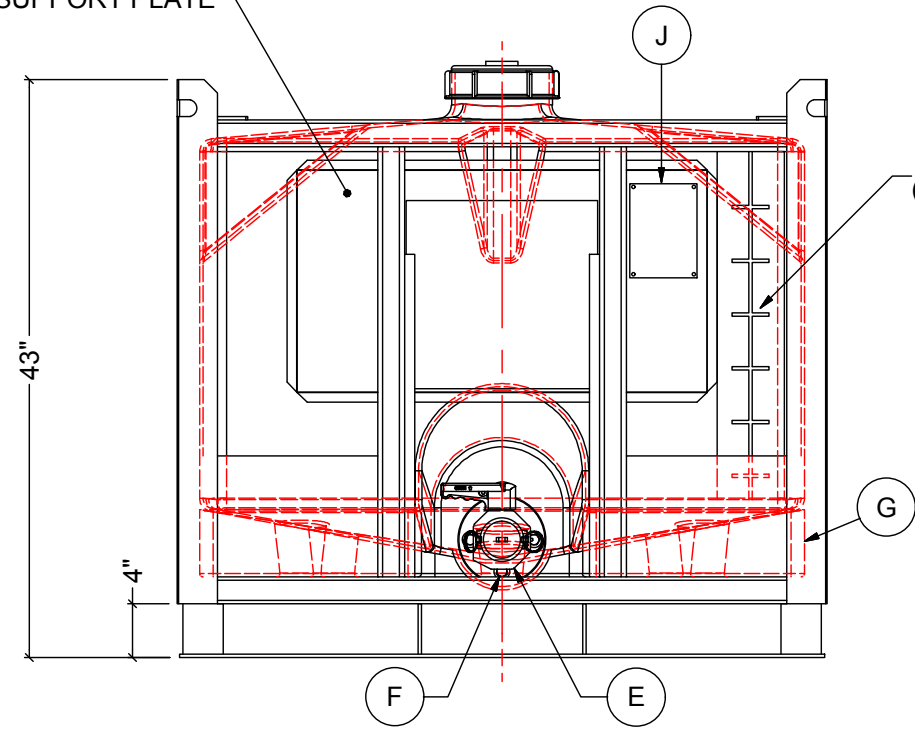
TOP VIEW



STACKING BRACKET DETAIL (H)

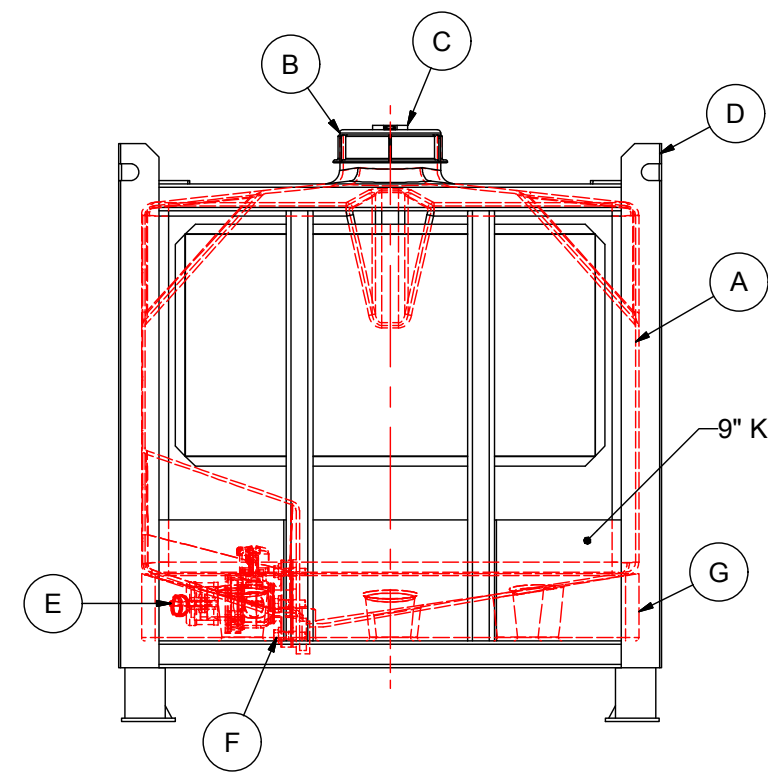


INNER SUPPORT PLATE



GRADUATIONS (MOLDED IN BOTTLE)

FRONT VIEW



SIDE VIEW

REV	DATE	DESCRIPTION	BY	APPD	REVD
REVISIONS					
CUSTOMER					
TITLE		ACO JOB NO:			
125 IG PALLET TANK WITH 12" KICK PLATES		PURCHASE ORDER NO:			
		PURCHASER'S EQUIP. NO:			
THIS DRAWING IS THE PROPERTY OF ROTOPLAST INC. AND SHALL NOT BE COPIED OR TRANSFERRED WITHOUT THE WRITTEN CONSENT OF ROTOPLAST INC.					
ENGINEERS SEAL		ACO CONTAINER SYSTEMS DIVISION OF ROTOPLAST INC.			
PICKERING - ONTARIO - CANADA					
ACO CONTAINER SYSTEMS DIVISION OF ROTOPLAST INC. 794 MCKAY RD. PICKERING, ONTARIO, CANADA TEL. 905-683-8222 FAX 905-683-2969		DESIGNED			
		DRAWN	WM		
		CHECKED			
		APPROVED			
		SCALE	N.T.S.		
		DATE	15-03-16		
DWG No		PTC-125		REV	0