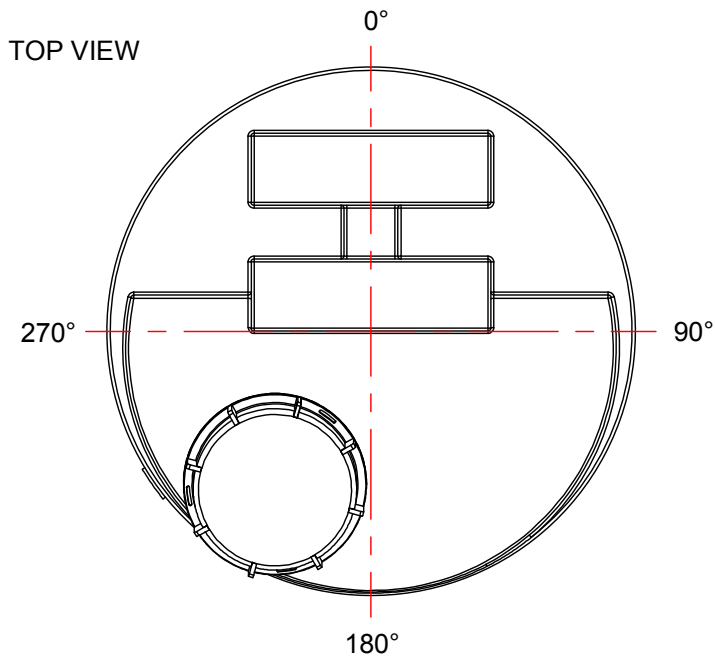


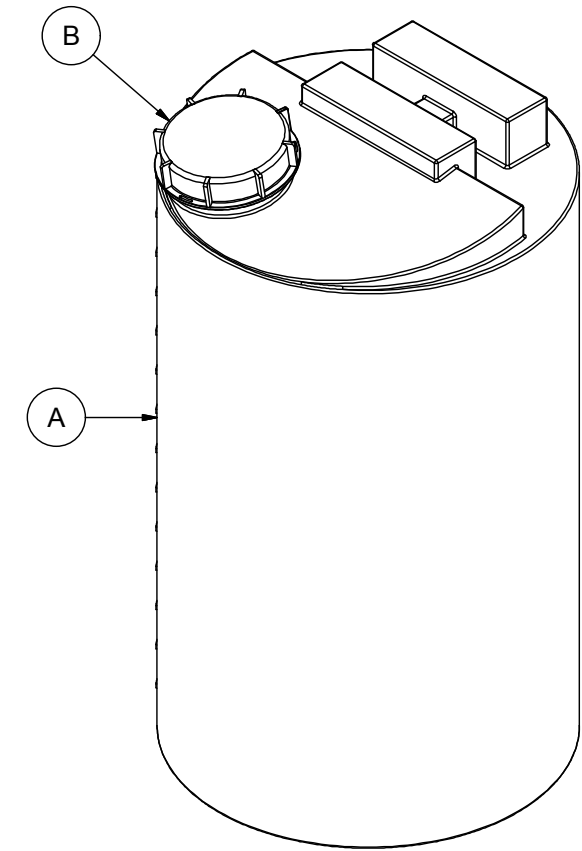
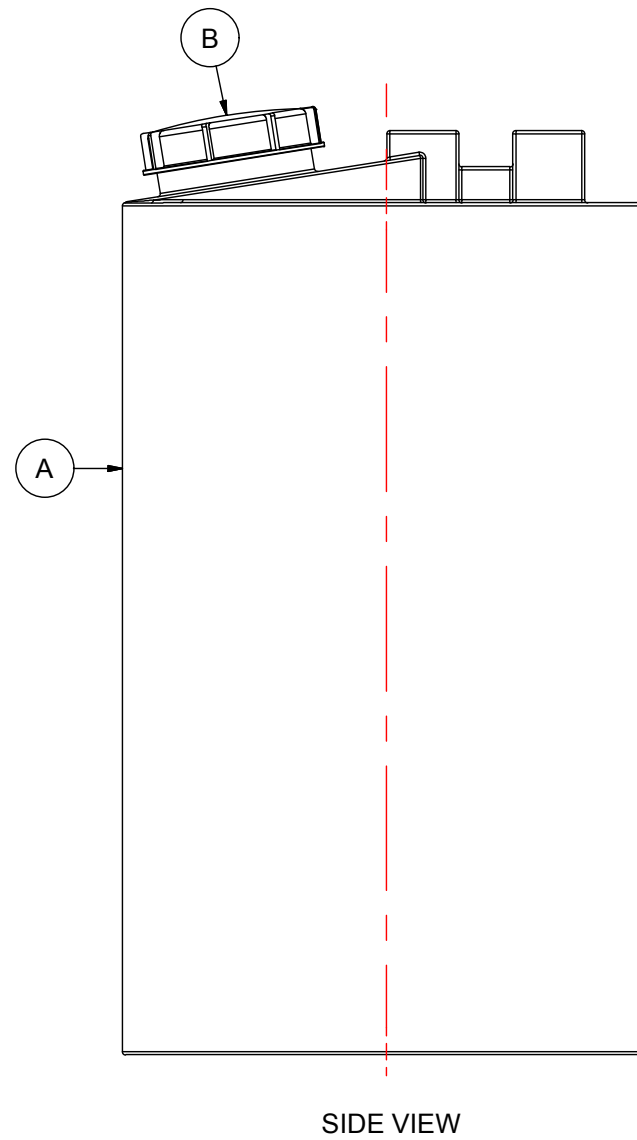
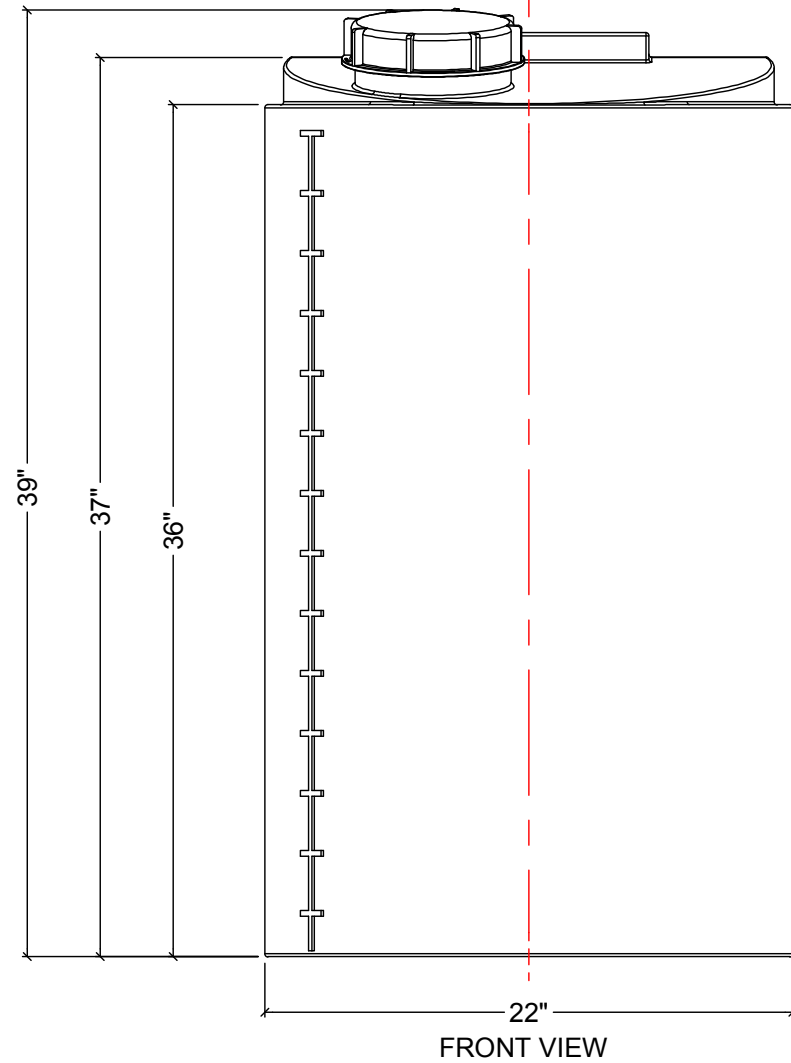
TOP VIEW



NOTES:

1. TANK IS MANUFACTURED TO ASTM-D-1998 STANDARD.
2. ALL DIMENSIONS ARE APPROXIMATE.

| MATERIALS LIST |                     |       |
|----------------|---------------------|-------|
| ITEMS          | DESCRIPTION         | NOTES |
| A              | PTB-200 TOTE BARREL |       |
| B              | 5 1/2" THREADED LID |       |
|                |                     |       |
|                |                     |       |
|                |                     |       |
|                |                     |       |
|                |                     |       |
|                |                     |       |



| REV   | DATE | DESCRIPTION  | BY                   | APPD                   | REVD                        |
|---|------|--|----------------------|------------------------|-----------------------------|
| REVISIONS   |      |  |                      |                        |                             |
| CUSTOMER  |      |  |                      |                        |                             |
| TITLE   |      | ACO JOB NO:  |                      |                        |                             |
| 200 L TOTE BARREL   |      | PURCHASE ORDER NO:   |                      |                        |                             |
|   |      | PURCHASER'S EQUIP. NO:                                     |                      |                        |                             |
| THIS DRAWING IS THE PROPERTY OF ROTOPLAST INC. AND SHALL NOT BE COPIED OR TRANSFERRED WITHOUT THE WRITTEN CONSENT OF ROTOPLAST INC.                             |      |  |                      |                        |                             |
| ENGINEERS SEAL  |      | <b>ACO CONTAINER SYSTEMS</b><br>DIVISION OF ROTOPLAST INC. |                      |                        |                             |
| <small>PICKERING - ONTARIO - CANADA</small>   |      |  |                      |                        |                             |
| <small>ACO CONTAINER SYSTEMS<br/>DIVISION OF ROTOPLAST INC.<br/>794 MCKAY RD.<br/>PICKERING, ONTARIO, CANADA<br/>TEL. 905-683-8222<br/>FAX 905-683-2969</small> |      | <small>DESIGNED</small>                                    | <small>DRAWN</small> | <small>CHECKED</small> | <small>APPROVED</small>     |
|   |      |  | WM                   |                        |                             |
|   |      | <small>SCALE</small>                                       | <small>DATE</small>  | <small>N.T.S.</small>  | <small>15-03-16</small>     |
| <small>DWG No</small>   |      | <b>PTB-200</b>   |                      |                        | <small>REV</small> <b>0</b> |