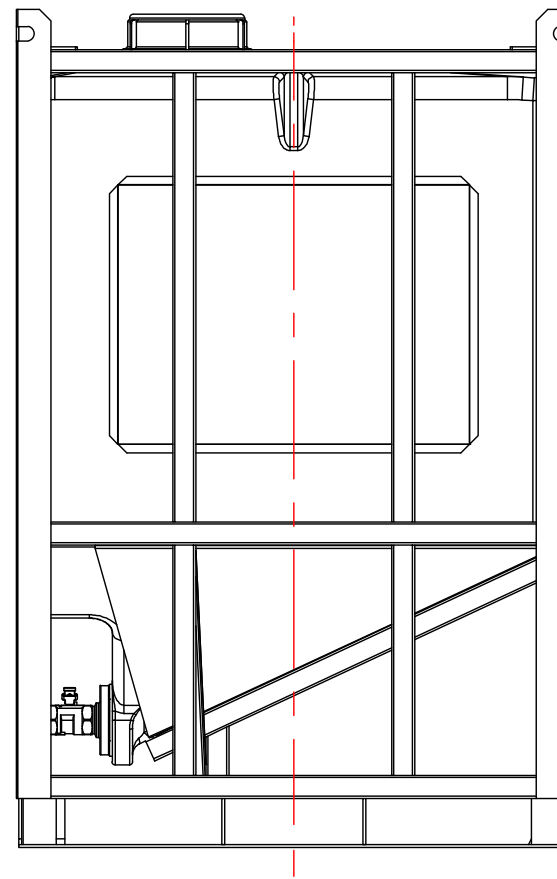
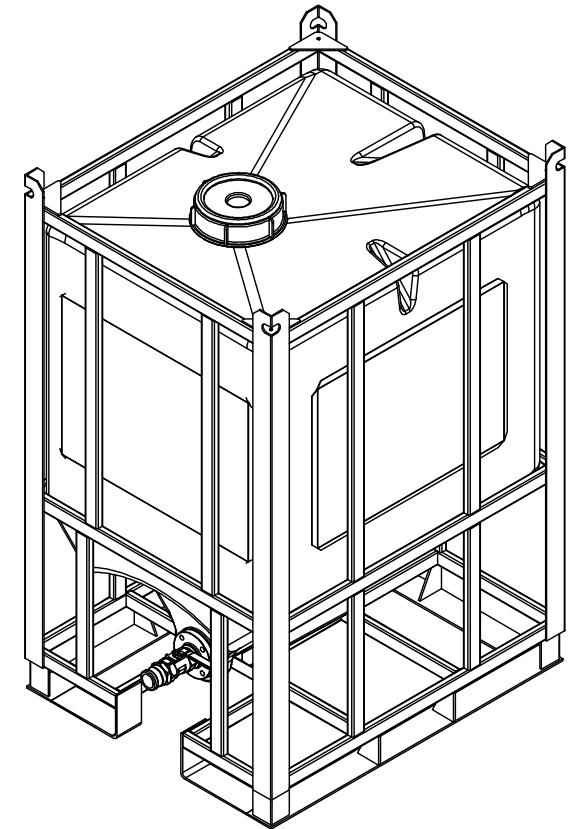


NOTES:

1. TANK IS MANUFACTURED FROM HDPE.
2. TANK IS MANUFACTURED TO ASTM-D-1998 STANDARD.



MATERIALS LIST		
ITEMS	DESCRIPTION	NOTES
A	PT-250-QD HDPE BOTTLE	
B	10" THREADED LID	
C	2" SS-316 BALL VALVE WITH SS-316 CAM LOCK	
D	STEEL FRAME FOR PT-250-QD	



REV	DATE	DESCRIPTION	BY	APPD	REVD
REVISIONS					
CUSTOMER					
TITLE			ACO JOB NO:		
250 IG QUICK DISCHARGE TOTE			PURCHASE ORDER NO:		
			PURCHASER'S EQUIP. NO:		
THIS DRAWING IS THE PROPERTY OF ROTOPLAST INC. AND SHALL NOT BE COPIED OR TRANSFERRED WITHOUT THE WRITTEN CONSENT OF ROTOPLAST INC.					
ENGINEERS SEAL		<b>ACO CONTAINER SYSTEMS</b> DIVISION OF ROTOPLAST INC.			
<small>PICKERING - ONTARIO - CANADA</small>					
ACO CONTAINER SYSTEMS DIVISION OF ROTOPLAST INC. 794 MCKAY RD. PICKERING, ONTARIO, CANADA TEL. 905-683-8222 FAX 905-683-2969			DESIGNED		
			DRAWN	WM	
			CHECKED		
			APPROVED		
			SCALE	N.T.S.	
			DATE	07-04-16	
DWG No			PT-250-QD		REV 0