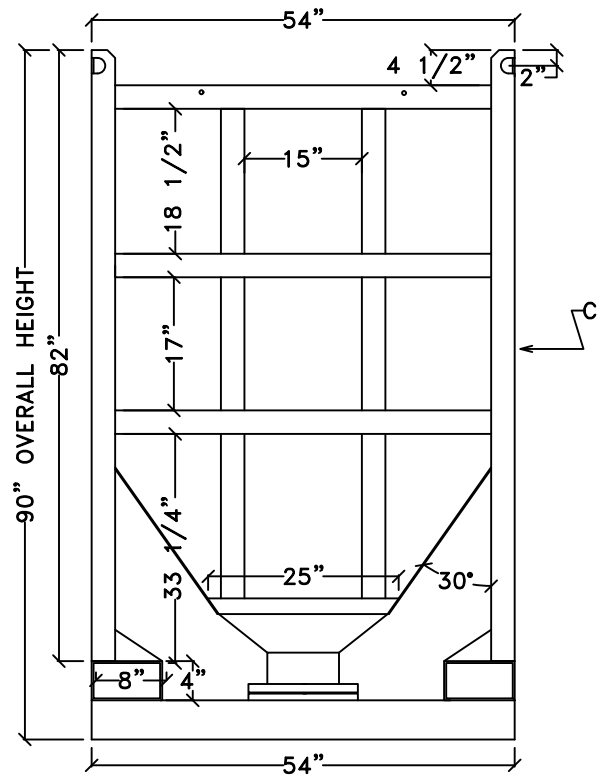
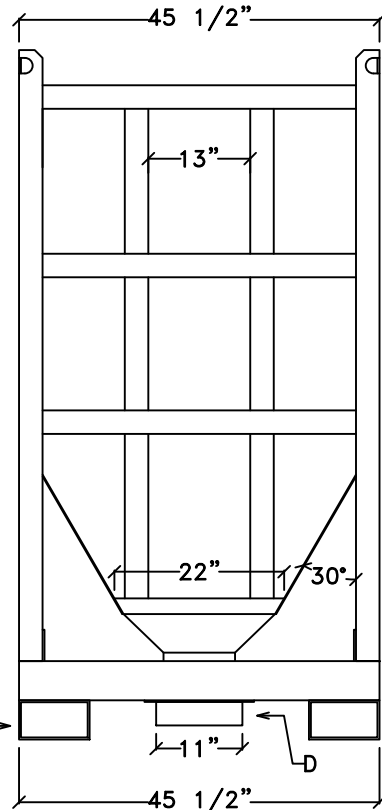


PLAN VIEW



FRONT VIEW



SIDE VIEW

4"x8" STEEL TUBE

NOZZLE SCHEDULE			
ITEM	SIZE	DESCRIPTION	NOTES
A	21"	BLACK THREADED LID	-
B	-	2000 LTR (LLDPE) POLYETHYLENE BOTTLE	-
C	-	PAINTED STEEL FRAME	-
D	8"	PE SLIDING GATE VALVE	-
E	4"x8"	FORKLIFT CHANNEL	-

\*\* ALL DIMENSIONS ARE APPROXIMATE

REV	DATE	DESCRIPTION	BY	APPD	REVD
001	12/05	STRAP LENGTH CORRECTED	MT	APPD	

REVISIONS					
CUSTOMER					

TITLE	ACO JOB NO: -
	PURCHASE ORDER NO: -
	PURCHASER'S EQUIP. NO: -

THIS DRAWING IS THE PROPERTY OF ROTOPLAST INC. AND SHALL NOT BE COPIED OR TRANSFERRED WITHOUT THE WRITTEN CONSENT OF ROTOPLAST INC.

ENGINEERS SEAL	ACO CONTAINER SYSTEMS DIVISION OF ROTOPLAST INC.	
	PICKERING - ONTARIO - CANADA	
	ACO CONTAINER SYSTEMS LTD. DIVISION OF ROTOPLAST INC. 794 MCKAY RD. PICKERING, ONTARIO, CANADA TEL. 905-683-8222 FAX 905-683-2969	DESIGNED DRAWN CHECKED APPROVED SCALE DATE
		S.A. A.M. N.T.S. 11-25-03
DWG No	PH-2000 HOPPER	REV 01