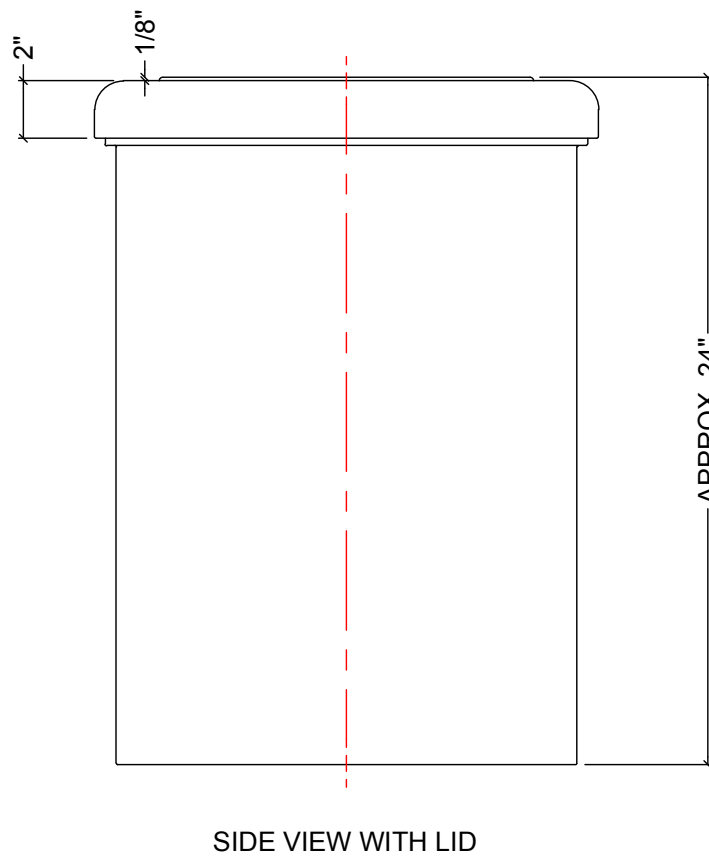
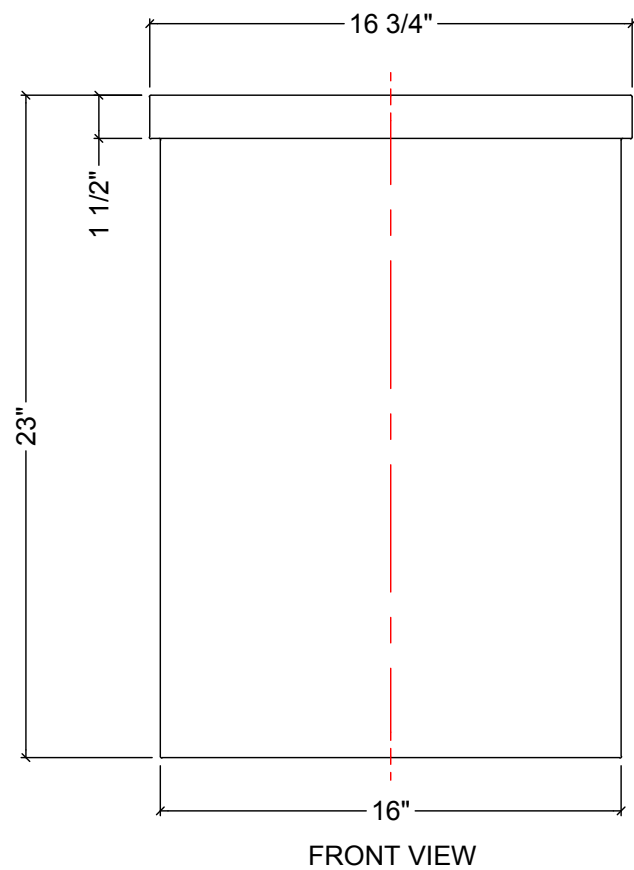
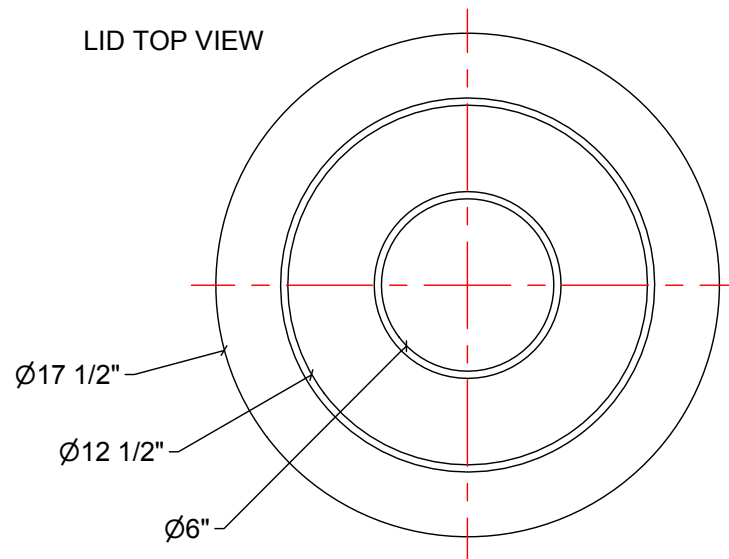


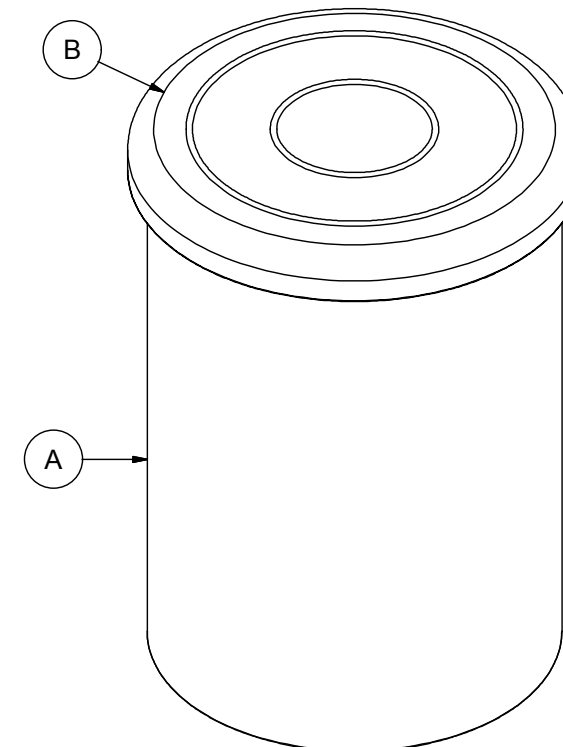
NOTES:

1. TANK IS MANUFACTURED TO ASTM-D-1998 STANDARD.
2. ALL DIMENSIONS ARE APPROXIMATE.

LID TOP VIEW



MATERIALS LIST		
ITEMS	DESCRIPTION	NOTES
A	OT-15 OPEN TOP TANK	
B	LID FOR OT-15	



REV	DATE	DESCRIPTION	BY	APPD	REVD
REVISIONS					
CUSTOMER					
TITLE		ACO JOB NO:			
15 IG OPEN TOP TANK		PURCHASE ORDER NO:			
		PURCHASER'S EQUIP. NO:			
THIS DRAWING IS THE PROPERTY OF ROTOPLAST INC. AND SHALL NOT BE COPIED OR TRANSFERRED WITHOUT THE WRITTEN CONSENT OF ROTOPLAST INC.					
ENGINEERS SEAL		<b>ACO CONTAINER SYSTEMS</b> DIVISION OF ROTOPLAST INC.			
<small>PICKERING - ONTARIO - CANADA</small>					
<small>ACO CONTAINER SYSTEMS</small>		<small>DESIGNED</small>			
<small>DIVISION OF ROTOPLAST INC.</small>		<small>DRAWN</small>	WM		
<small>794 MCKAY RD.</small>		<small>CHECKED</small>			
<small>PICKERING, ONTARIO, CANADA</small>		<small>APPROVED</small>			
<small>TEL. 905-683-8222</small>		<small>SCALE</small>	N.T.S.		
<small>FAX 905-683-2969</small>		<small>DATE</small>	03-03-16		
<small>DWG No</small>		OT-15-L		<small>REV</small>	0