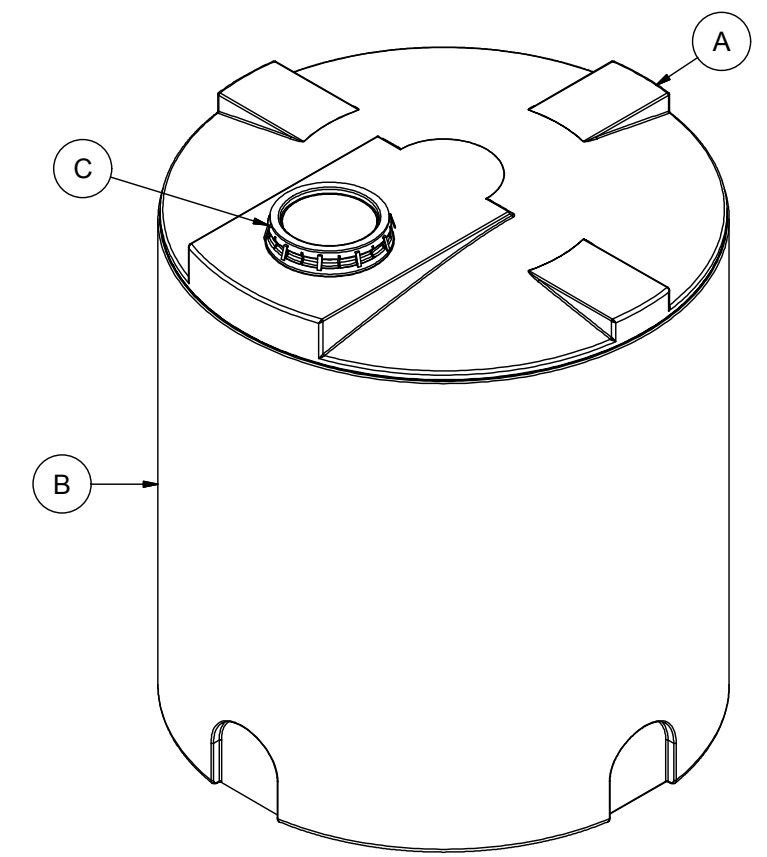
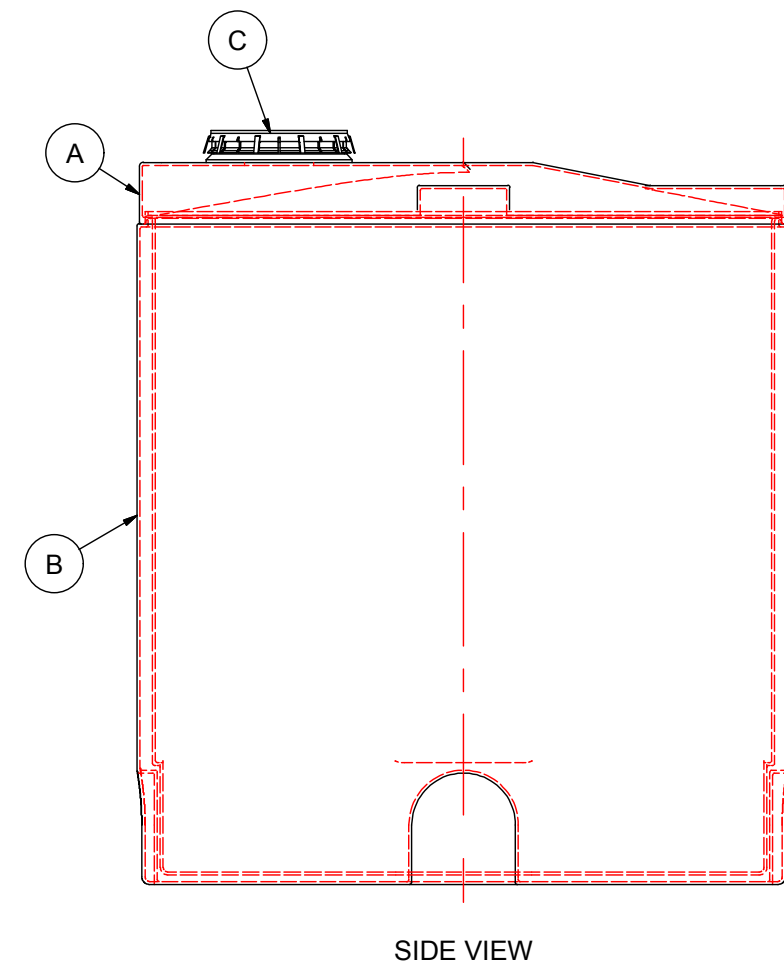
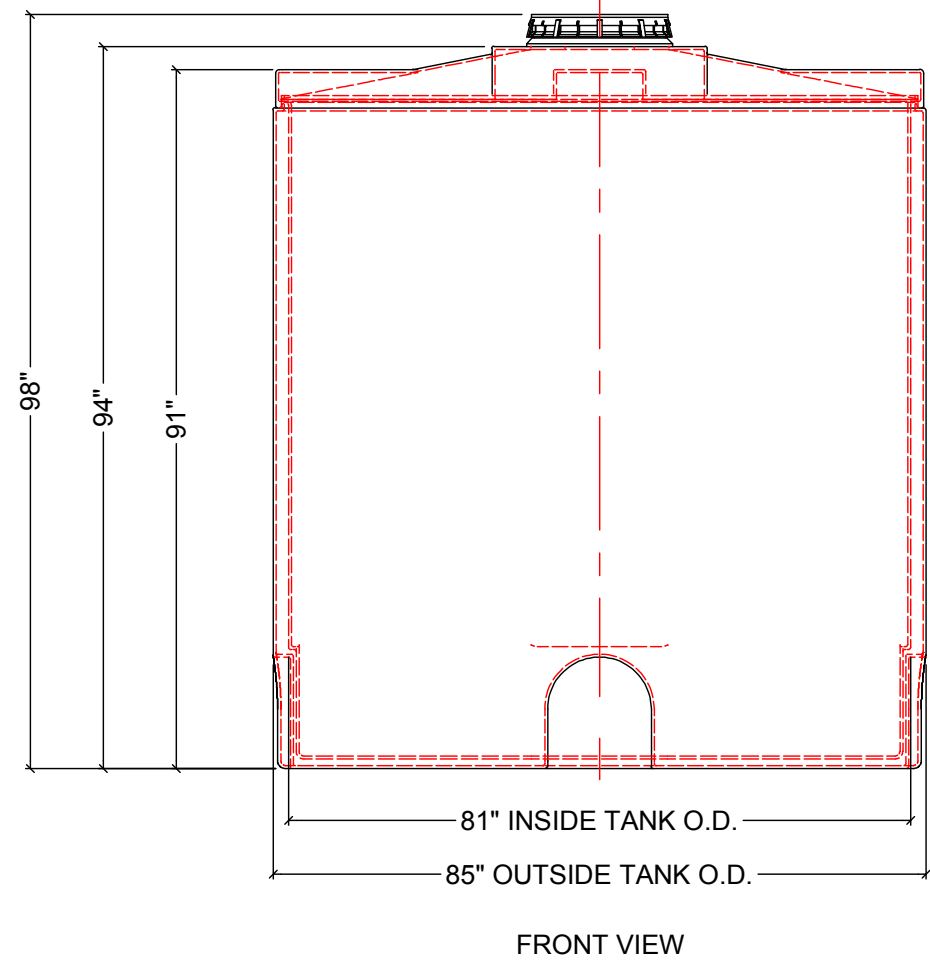


NOTES:

1. TANK IS MANUFACTURED TO ASTM-D-1998 STANDARD.
2. ALL DIMENSIONS ARE APPROXIMATE.
3. ONLY ONE BOTTOM OUTLET FITTING MAY BE INSTALLED.
4. BOTTOM OUTLET FITTING MAY ONLY BE INSTALLED ON A FITTING FLAT LOCATED AT 0°, 90°, 180° OR 270°.

MATERIALS LIST		
ITEMS	DESCRIPTION	NOTES
A	DMT-1350 INSIDE TANK	
B	DMT-1350 OUTSIDE TANK	
C	16" LID WITH LOCKING STRAP	



REV	DATE	DESCRIPTION	BY	APPD	REVD
REVISIONS					
CUSTOMER					
TITLE 1350 IG DOUBLE WALL TANK			ACO JOB NO: PURCHASE ORDER NO: PURCHASER'S EQUIP. NO:		
THIS DRAWING IS THE PROPERTY OF ROTOPLAST INC. AND SHALL NOT BE COPIED OR TRANSFERRED WITHOUT THE WRITTEN CONSENT OF ROTOPLAST INC.					
ENGINEERS SEAL		<b>ACO CONTAINER SYSTEMS</b> DIVISION OF ROTOPLAST INC.			
ACO CONTAINER SYSTEMS DIVISION OF ROTOPLAST INC. 794 MCKAY RD. PICKERING, ONTARIO, CANADA TEL. 905-683-8222 FAX 905-683-2969		DESIGNED		DRAWN	WM
		CHECKED		APPROVED	
		SCALE		DATE	N.T.S. 30-03-16
DWG No		DMT-1350			REV 0