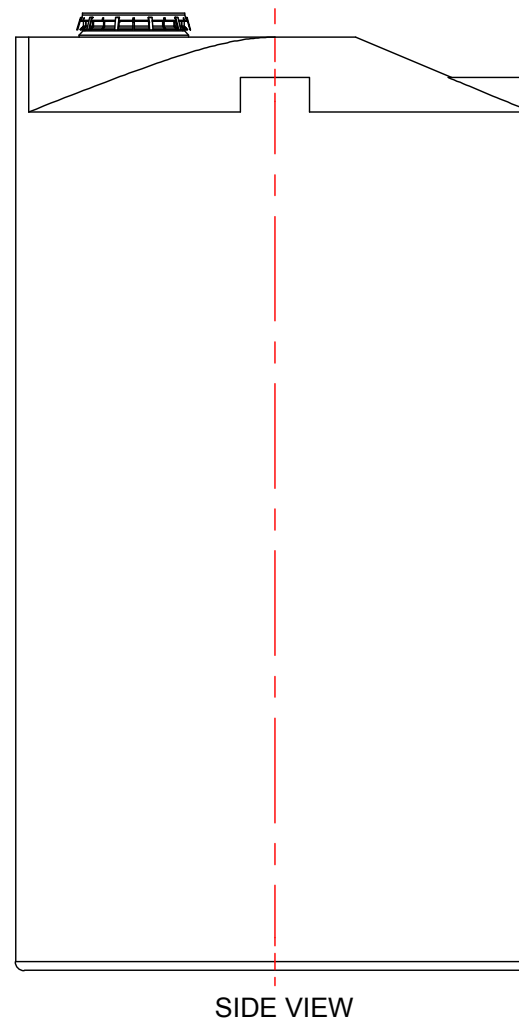
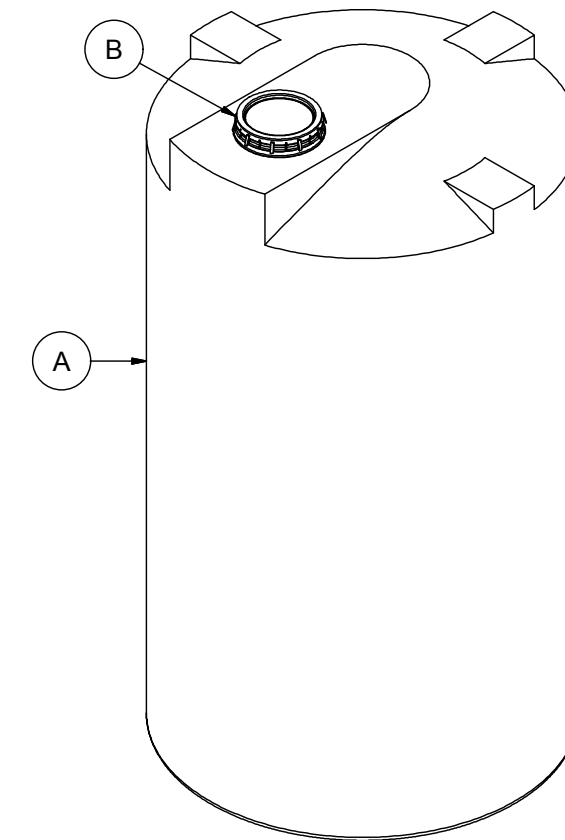


NOTES:

1. TANK IS MANUFACTURED TO ASTM-D-1998 STANDARD.
2. ALL DIMENSIONS ARE APPROXIMATE.



| MATERIALS LIST | | |
|----------------|----------------------------|-------|
| ITEMS | DESCRIPTION | NOTES |
| A | CT-3305 TANK | |
| B | 16" LID WITH LOCKING STRAP | |
| | | |
| | | |
| | | |
| | | |
| | | |
| | | |



| REV | DATE | DESCRIPTION | BY | APPD | REVD |
|---|------|--|----------------------|------------------------|-----------------------------|
| REVISIONS | | | | | |
| CUSTOMER | | | | | |
| TITLE | | ACO JOB NO: | | | |
| 3300 IG CLOSED TOP TANK | | PURCHASE ORDER NO: | | | |
| | | PURCHASER'S EQUIP. NO: | | | |
| THIS DRAWING IS THE PROPERTY OF ROTOPLAST INC. AND SHALL NOT BE COPIED OR TRANSFERRED WITHOUT THE WRITTEN CONSENT OF ROTOPLAST INC. | | | | | |
| ENGINEERS SEAL | | ACO CONTAINER SYSTEMS DIVISION OF ROTOPLAST INC. | | | |
| <small>PICKERING - ONTARIO - CANADA</small> | | | | | |
| <small>ACO CONTAINER SYSTEMS DIVISION OF ROTOPLAST INC. 794 MCKAY RD. PICKERING, ONTARIO, CANADA TEL. 905-683-8222 FAX 905-683-2969</small> | | <small>DESIGNED</small> | <small>DRAWN</small> | <small>CHECKED</small> | <small>APPROVED</small> |
| | | | WM | | |
| | | <small>SCALE</small> | <small>DATE</small> | <small>N.T.S.</small> | <small>02-03-16</small> |
| <small>DWG No</small> | | CT-3305 | | | <small>REV</small> 0 |