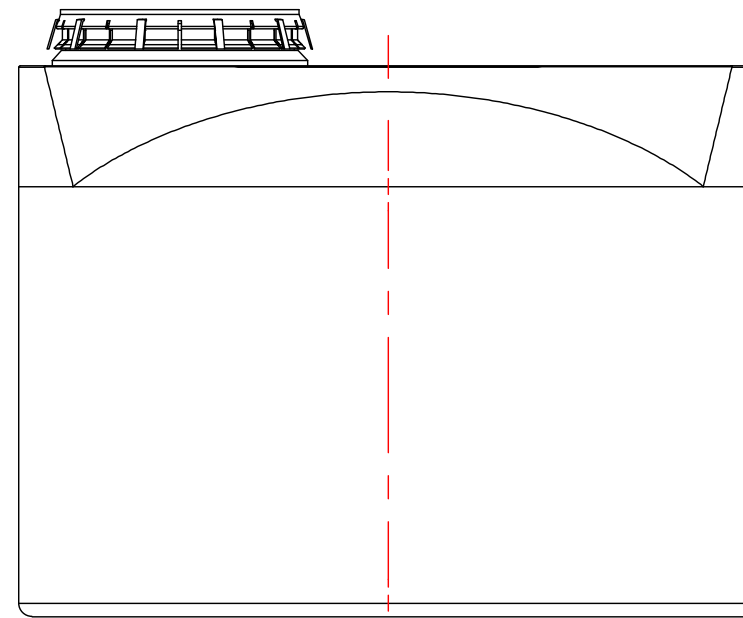
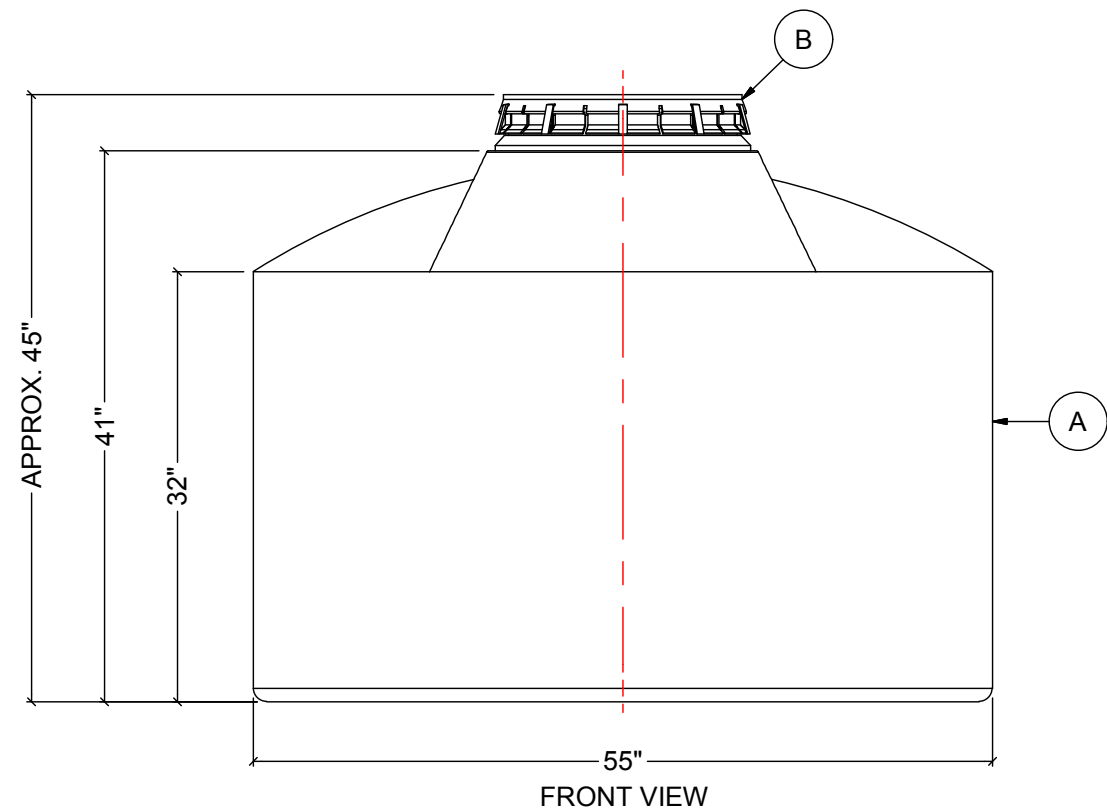
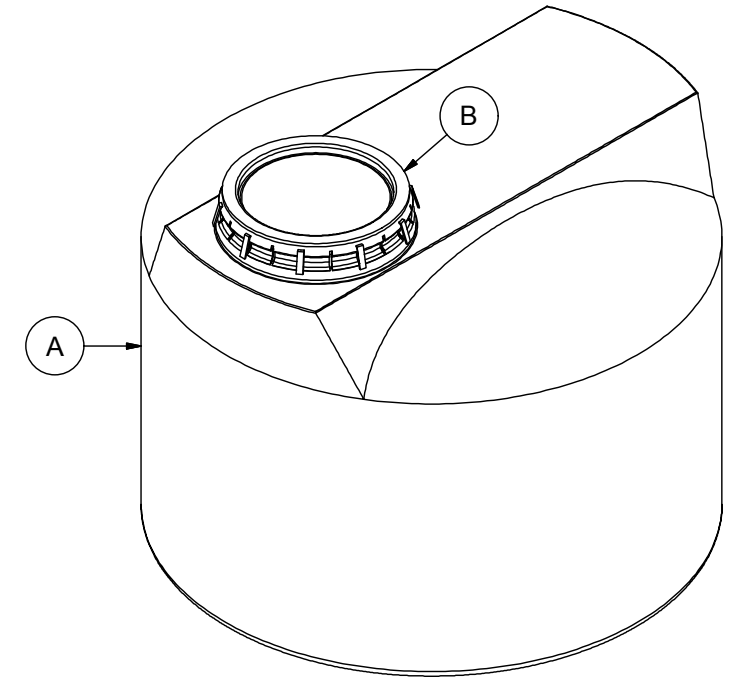


NOTES:

1. TANK IS MANUFACTURED TO ASTM-D-1998 STANDARD.
2. ALL DIMENSIONS ARE APPROXIMATE.

| MATERIALS LIST | | |
|----------------|----------------------------|-------|
| ITEMS | DESCRIPTION | NOTES |
| A | CT-310 TANK | |
| B | 16" LID WITH LOCKING STRAP | |
| | | |
| | | |
| | | |
| | | |
| | | |
| | | |



| REV | DATE | DESCRIPTION | BY | APPD | REVD |
|---|------|--|------------------------|----------|-------|
| | | | | | |
| REVISIONS | | | | | |
| CUSTOMER | | | | | |
| TITLE | | | ACO JOB NO: | | |
| 310 IG CLOSED TOP TANK | | | PURCHASE ORDER NO: | | |
| | | | PURCHASER'S EQUIP. NO: | | |
| THIS DRAWING IS THE PROPERTY OF ROTOPLAST INC. AND SHALL NOT BE COPIED OR TRANSFERRED WITHOUT THE WRITTEN CONSENT OF ROTOPLAST INC. | | | | | |
| ENGINEERS SEAL | | ACO CONTAINER SYSTEMS DIVISION OF ROTOPLAST INC. | | | |
| <small>PICKERING - ONTARIO - CANADA</small> | | | | | |
| ACO CONTAINER SYSTEMS DIVISION OF ROTOPLAST INC. 794 MCKAY RD. PICKERING, ONTARIO, CANADA TEL. 905-683-8222 FAX 905-683-2969 | | | DESIGNED | | |
| | | | DRAWN | WM | |
| | | | CHECKED | | |
| | | | APPROVED | | |
| | | | SCALE | N.T.S. | |
| | | | DATE | 02-03-16 | |
| DWG No | | | CT-310 | | REV 0 |