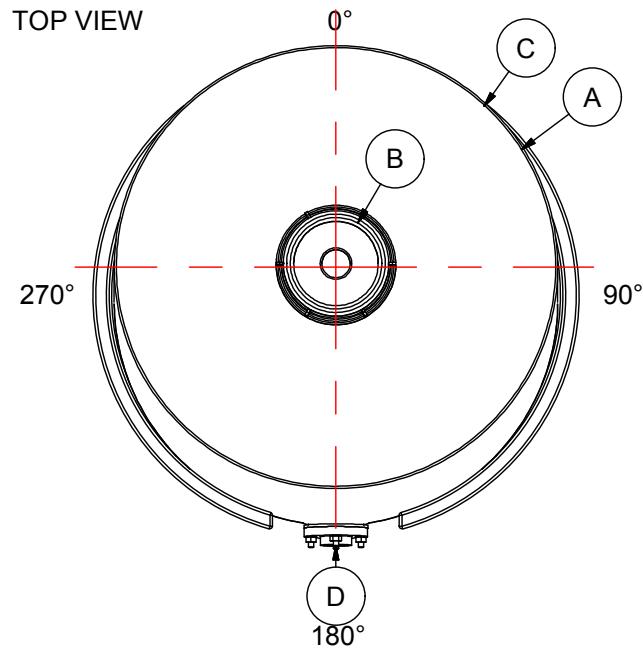


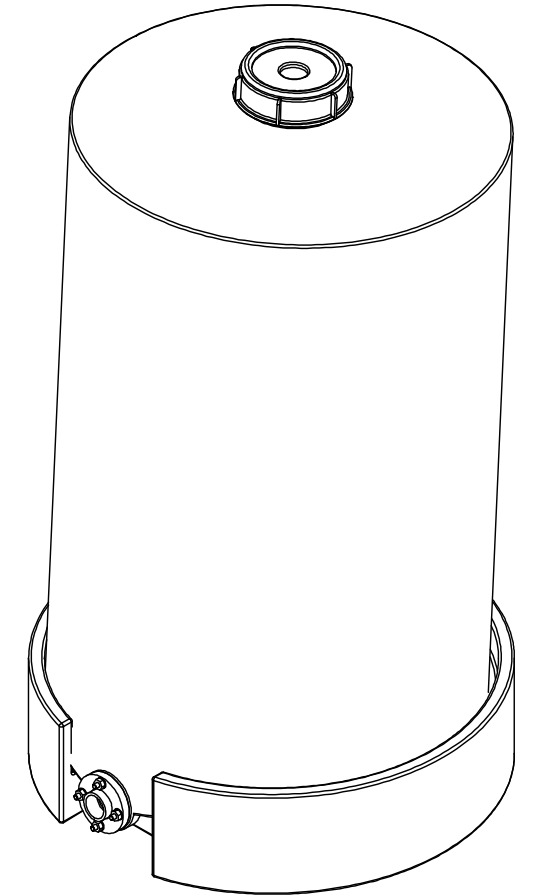
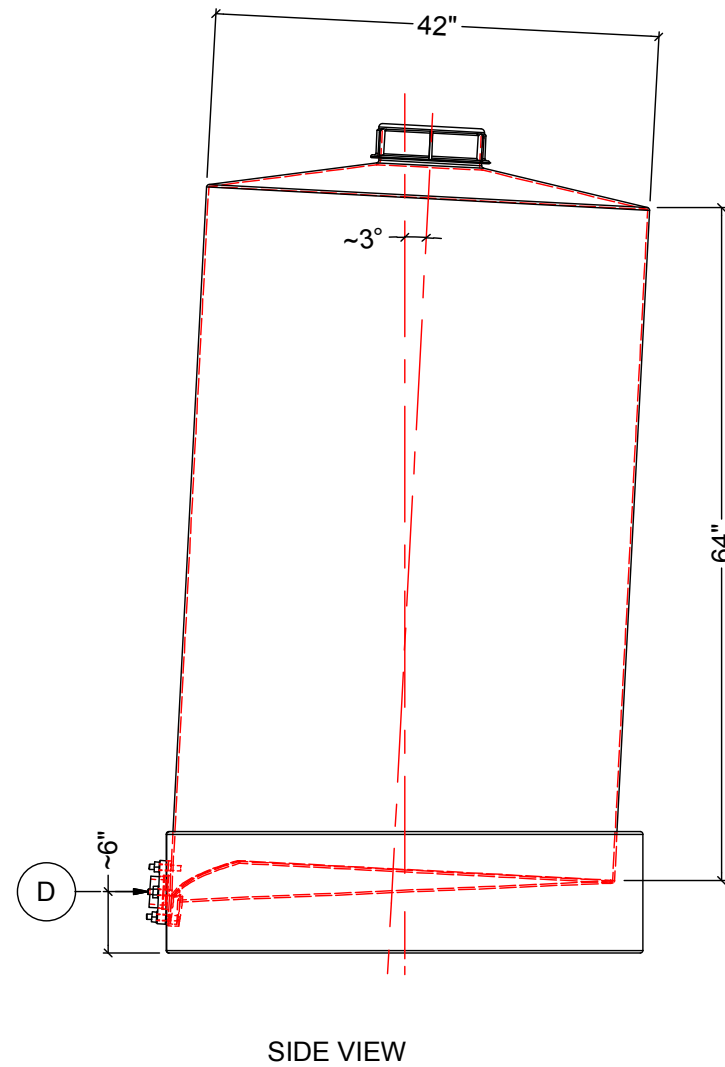
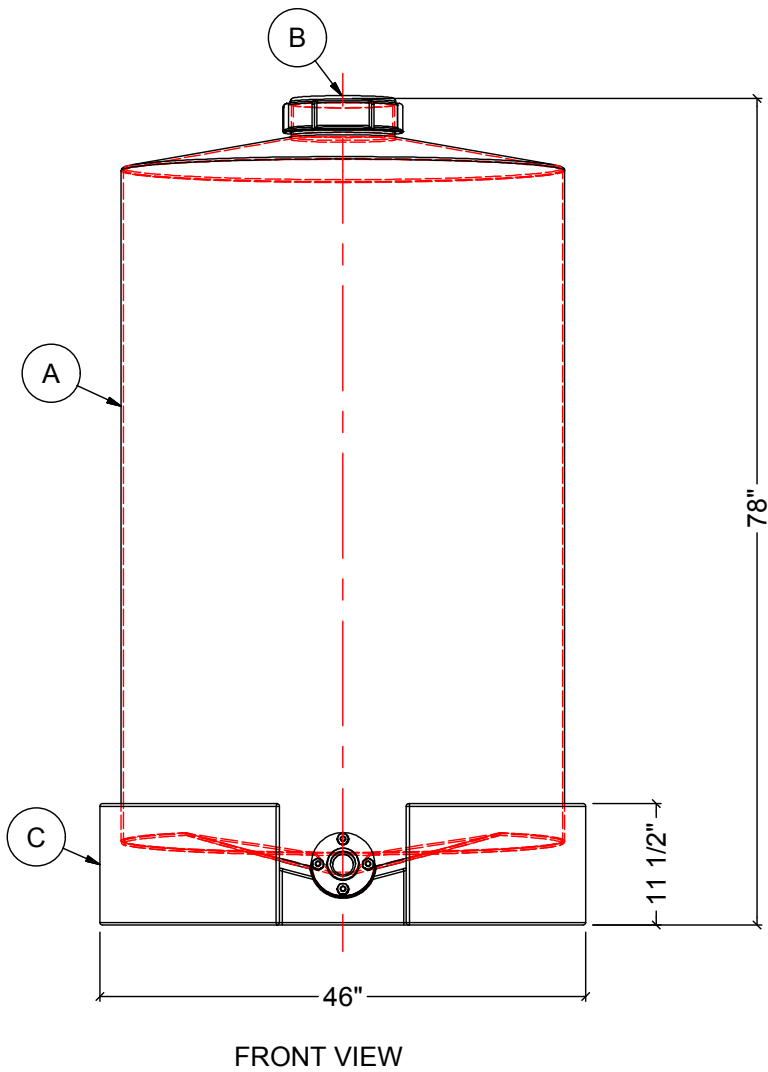
TOP VIEW



NOTES:

1. TANK IS MANUFACTURED FROM HDPE OR XLPE. (1.5 SG)
2. TANK IS MANUFACTURED TO ASTM-D-1998 STANDARD.
3. ACO RECOMMENDS ALL FLANGE GASKETS TO BE MIN. 1/4" THICK.
4. ALL FITTING GASKETS ARE EPDM OR VITON.

MATERIALS LIST		
ITEMS	DESCRIPTION	NOTES
A	SB-300 SLOPED BOTTOM TANK	
C	HDPE BASE	
B	10" THREADED LID	
D	2" FNPT PVC FLANGE WITH MOUNTING HARDWARE	



REV	DATE	DESCRIPTION	BY	APPD	REVD
REVISIONS					
CUSTOMER					
TITLE		ACO JOB NO:			
300 IG SLOPED BOTTOM TANK		PURCHASE ORDER NO:			
		PURCHASER'S EQUIP. NO:			
THIS DRAWING IS THE PROPERTY OF ROTOPLAST INC. AND SHALL NOT BE COPIED OR TRANSFERRED WITHOUT THE WRITTEN CONSENT OF ROTOPLAST INC.					
ENGINEERS SEAL		ACO CONTAINER SYSTEMS DIVISION OF ROTOPLAST INC. <small>PICKERING - ONTARIO - CANADA</small>			
ACO CONTAINER SYSTEMS DIVISION OF ROTOPLAST INC. 794 MCKAY RD. PICKERING, ONTARIO, CANADA TEL. 905-683-8222 FAX 905-683-2969		DESIGNED	WM		
		DRAWN			
		CHECKED			
		APPROVED			
		SCALE	N.T.S.		
		DATE	04-04-16		
DWG No		SB-300		REV	0