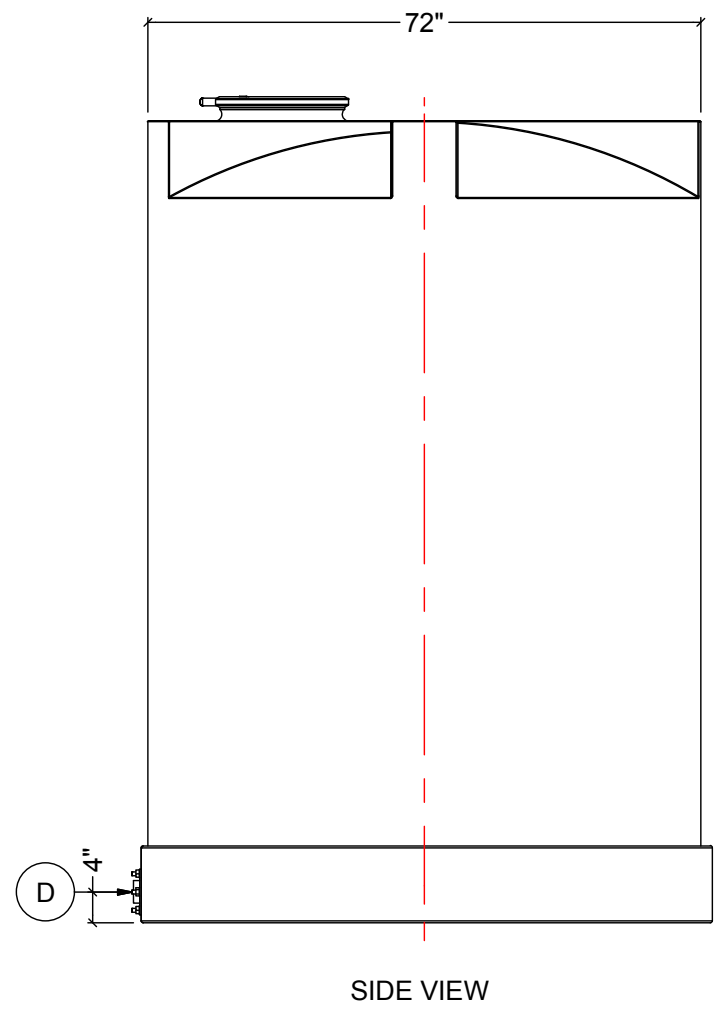
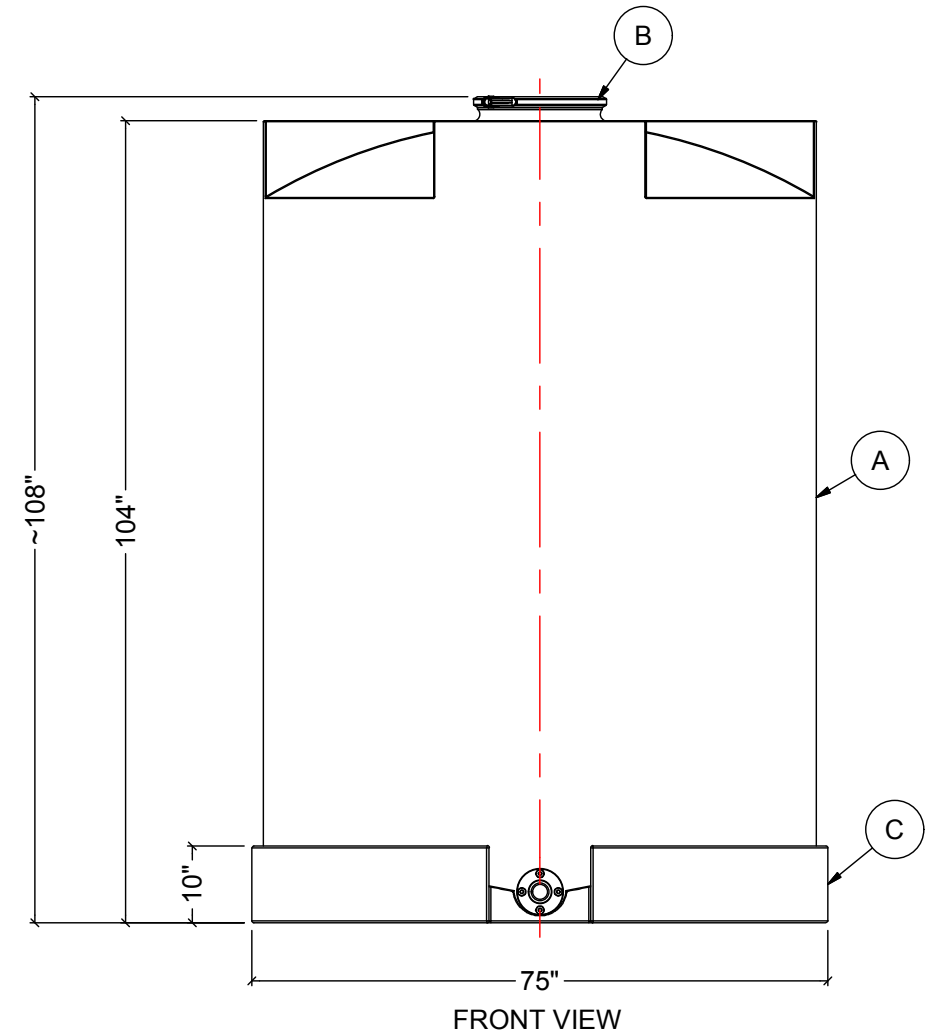
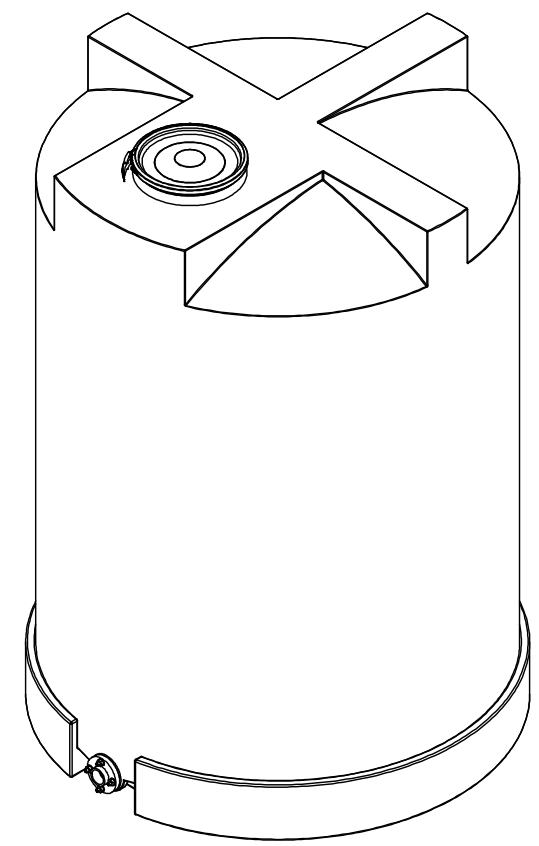


NOTES:

1. TANK IS MANUFACTURED FROM HDPE. (1.5 SG)
2. TANK IS MANUFACTURED TO ASTM-D-1998 STANDARD.
3. ACO RECOMMENDS ALL FLANGE GASKETS TO BE MIN. 1/4" THICK.
4. ALL FITTING GASKETS ARE EPDM.

MATERIALS LIST		
ITEMS	DESCRIPTION	NOTES
A	SB-1250 SLOPED BOTTOM TANK	
B	14" LID WITH SS LOCKING RING	
C	HDPE BASE	
D	2" FNPT PVC FLANGE WITH MOUNTING HARDWARE	



REV	DATE	DESCRIPTION	BY	APPD	REVD
REVISIONS					
CUSTOMER					
TITLE 1250 IG SLOPED BOTTOM TANK			ACO JOB NO: PURCHASE ORDER NO: PURCHASER'S EQUIP. NO:		
THIS DRAWING IS THE PROPERTY OF ROTOPLAST INC. AND SHALL NOT BE COPIED OR TRANSFERRED WITHOUT THE WRITTEN CONSENT OF ROTOPLAST INC.					
ENGINEERS SEAL		<b>ACO CONTAINER SYSTEMS</b> DIVISION OF ROTOPLAST INC.			
		PICKERING - ONTARIO - CANADA			
ACO CONTAINER SYSTEMS DIVISION OF ROTOPLAST INC. 794 MCKAY RD. PICKERING, ONTARIO, CANADA TEL. 905-683-8222 FAX 905-683-2969		DESIGNED			
		DRAWN	WM		
		CHECKED			
		APPROVED			
		SCALE	N.T.S.		
		DATE	04-04-16		
DWG No		SB-1250		REV	0