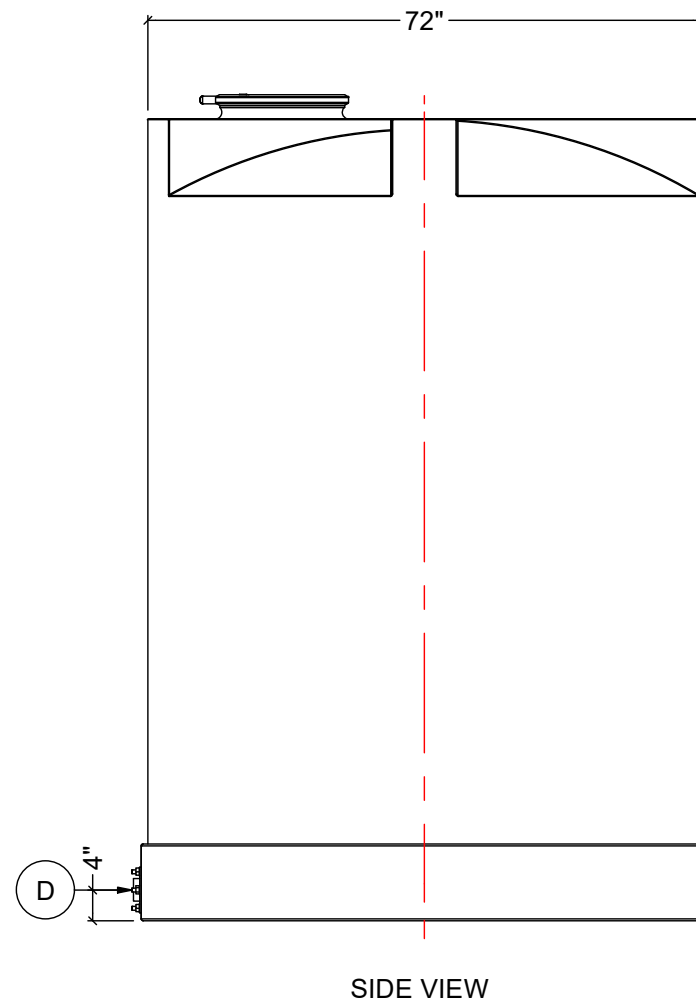
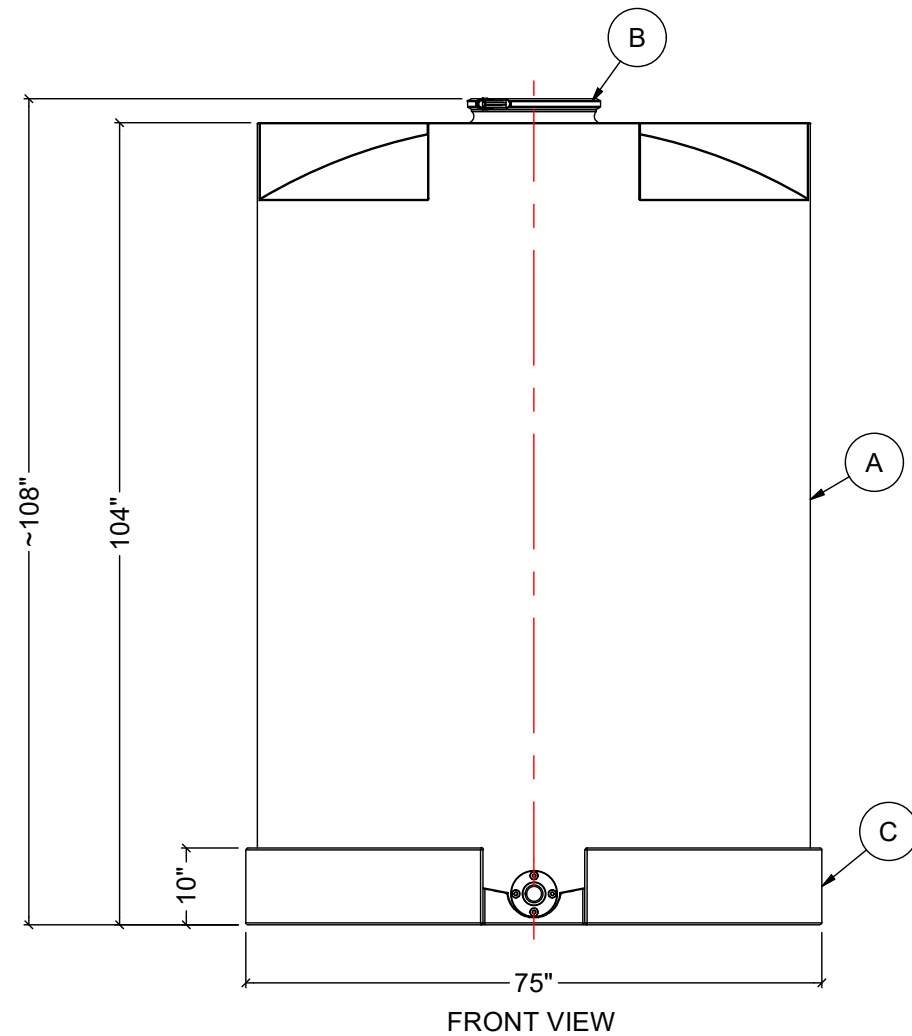
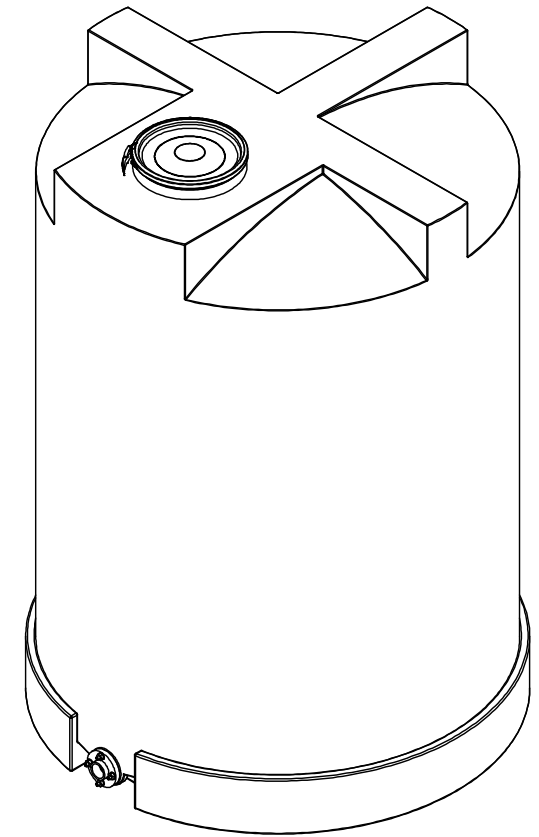


NOTES:

1. TANK IS MANUFACTURED FROM HDPE. (1.5 OR 1.9 SG)
2. ALL TANK DIMENSIONS ARE SUBJECT TO A +/-3% TOLERANCE.
3. FLEXIBLE COUPLINGS ARE REQUIRED FOR ALL EXTERNAL PIPING.
4. ALL FITTING GASKETS ARE EPDM OR VITON.
5. ACO RECOMMENDS ALL FLANGE GASKETS TO BE MIN. 1/4" THICK.
6. HDPE ALIGNMENT WEDGES ARE REQUIRED ON SOME TOP FITTINGS TO KEEP THEM PERPENDICULAR TO THE GROUND.
7. TANK MUST BE PROPERLY VENTED TO PREVENT PRESSURE OR VACUUM FROM DEVELOPING AS THE TANK IS FILLING OR EMPTYING.

MATERIALS LIST		
ITEMS	DESCRIPTION	NOTES
A	SB-1250 SLOPED BOTTOM TANK	
B	14" LID WITH SS LOCKING RING	
C	HDPE BASE	
D	2" FNPT PVC FLANGE WITH MOUNTING HARDWARE	



REV	DATE	DESCRIPTION	BY	APPD	REVD
REVISIONS					
CUSTOMER					
TITLE			ACO JOB NO:		
1250 IG SLOPED BOTTOM TANK			PURCHASE ORDER NO:		
			PURCHASER'S EQUIP. NO:		
THIS DRAWING IS THE PROPERTY OF ROTOPLAST INC. AND SHALL NOT BE COPIED OR TRANSFERRED WITHOUT THE WRITTEN CONSENT OF ROTOPLAST INC.					
ENGINEERS SEAL		<b>ACO CONTAINER SYSTEMS</b> DIVISION OF ROTOPLAST INC. <small>PICKERING - ONTARIO - CANADA</small>			
		<small>ACO CONTAINER SYSTEMS</small> <small>DIVISION OF ROTOPLAST INC.</small> <small>794 MCKAY RD.</small> <small>PICKERING, ONTARIO, CANADA</small> <small>TEL. 905-683-8222</small> <small>FAX 905-683-2969</small>		<small>DESIGNED</small> <small>DRAWN</small> WM <small>CHECKED</small> <small>APPROVED</small> <small>SCALE</small> N.T.S. <small>DATE</small> 04-04-16	
DWG No		SB-1250			REV 0