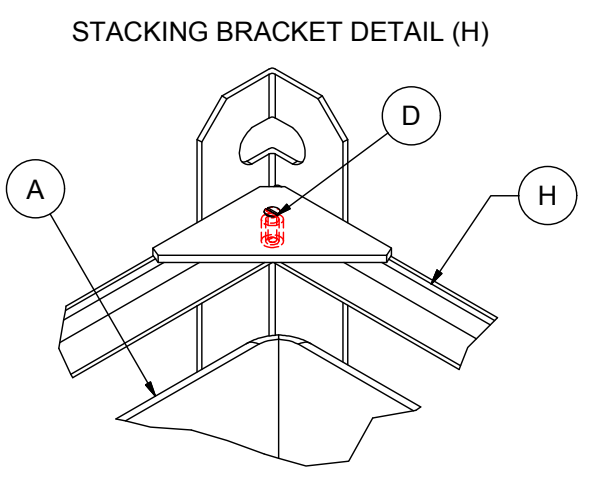
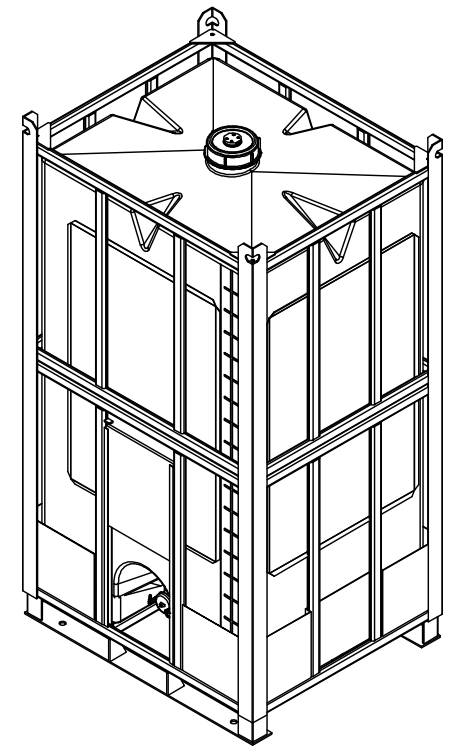
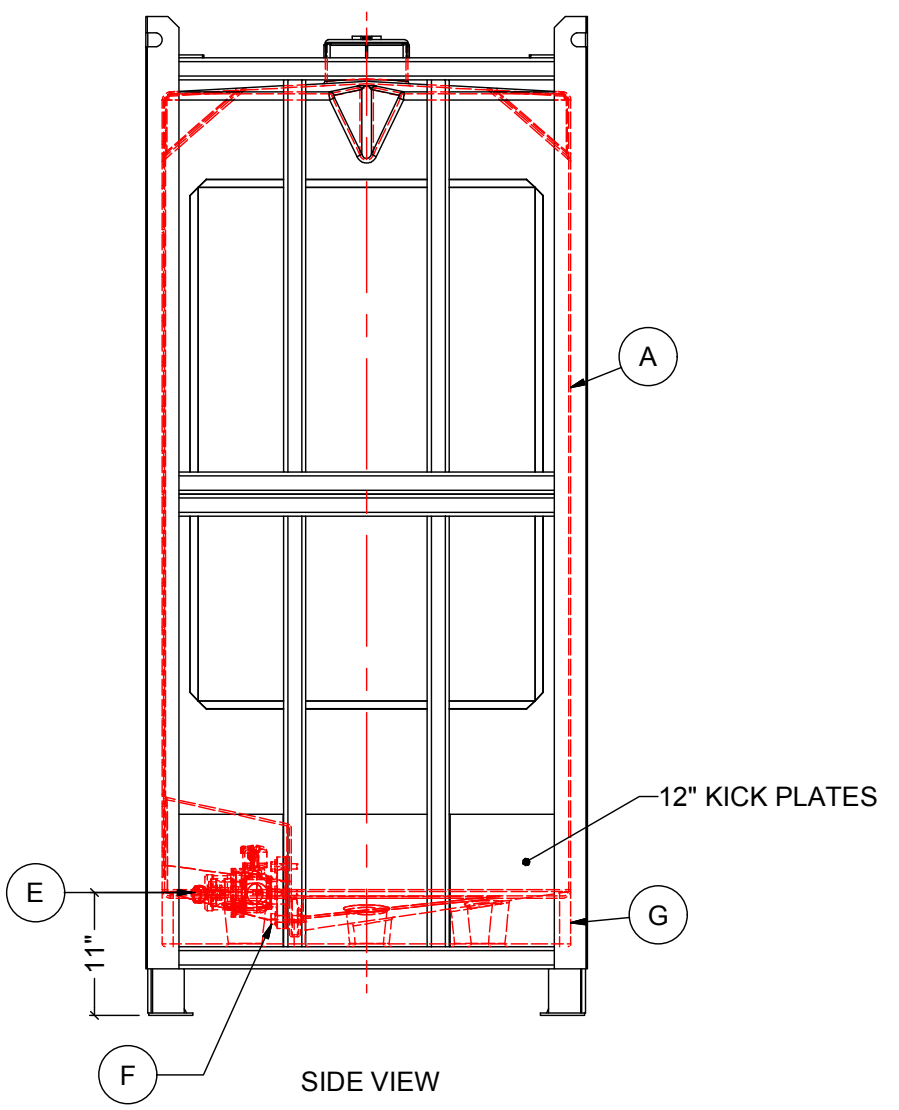
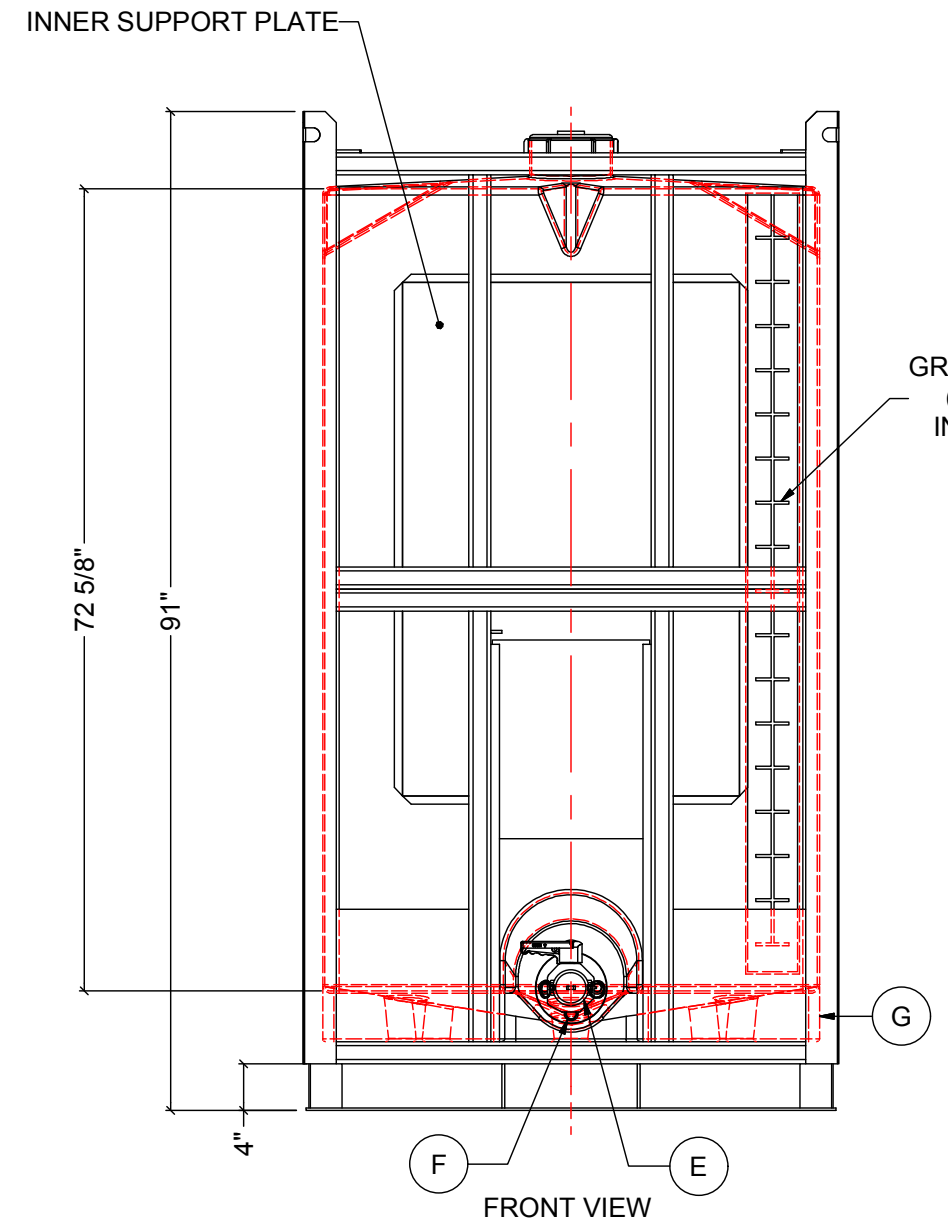


NOTES:  
 1. CAPACITY: 450 IMP GAL (2040 L)  
 2. TARE WEIGHT: 750 LBS (340 KG)



| MATERIALS LIST |  |                |
|----------------|--|----------------|
| ITEMS          | DESCRIPTION  | NOTES          |
| A              | PT-450 HDPE BOTTLE   |                |
| B              | 6" ORANGE HDPE THREADED LID WITH GASKET (EPDM OR VITON) AND TIE DOWN   |                |
| C              | 2" COMBI-VENT - VACUUM AND PRESSURE RELIEF (OPTIONAL)                  | IN LID         |
| D              | FRAME CORNER STACKING BRACKET WITH SCREW                               | 4 PLACES       |
| E              | 2" BALL VALVE (POLYPRO OR STAINLESS STEEL) WITH GASKET (EPDM OR VITON) | FNPT OR CAMLOC |
| F              | VALVE MOUNTING HARDWARE KIT  |                |
| G              | BLACK POLY FRAME PILLOW  |                |
| H              | STEEL FRAME WITH 12" KICK PLATES AND VALVE PROTECTION GATE             |                |



| REV   | DATE | DESCRIPTION   | BY  | APPD | REVD                 |
|---|------|---|---|------|----------------------|
| REVISIONS   |      |   |   |      |                      |
| CUSTOMER  |      |   |   |      |                      |
| TITLE<br>450 IG PALLET TANK WITH 12" KICK PLATES  |      |   | ACO JOB NO:<br>PURCHASE ORDER NO:<br>PURCHASER'S EQUIP. NO: |      |                      |
| THIS DRAWING IS THE PROPERTY OF ROTOPLAST INC. AND SHALL NOT BE COPIED OR TRANSFERRED WITHOUT THE WRITTEN CONSENT OF ROTOPLAST INC. |      |   |   |      |                      |
| ENGINEERS SEAL  |      | <b>ACO CONTAINER SYSTEMS</b><br>DIVISION OF ROTOPLAST INC.<br><small>PICKERING - ONTARIO - CANADA</small><br>ACO CONTAINER SYSTEMS<br>DIVISION OF ROTOPLAST INC.<br>794 MCKAY RD.<br>PICKERING, ONTARIO, CANADA<br>TEL. 905-683-8222<br>FAX 905-683-2969<br><small>DWG No</small> |   |      |                      |
|   |      | <small>DESIGNED</small><br><small>DRAWN</small> WM<br><small>CHECKED</small><br><small>APPROVED</small><br><small>SCALE</small> N.T.S.<br><small>DATE</small> 15-03-16  |   |      | <small>REV</small> 0 |
|   |      | PTC-450   |   |      |                      |