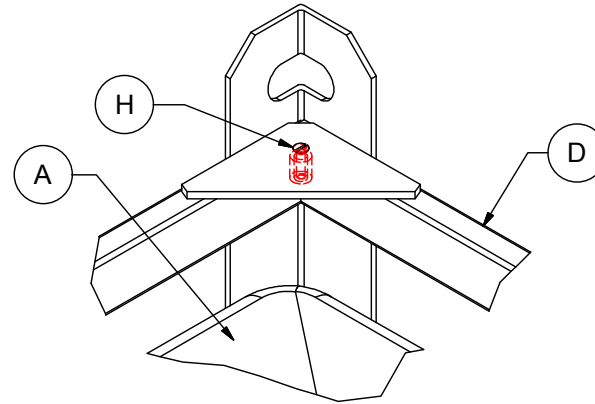


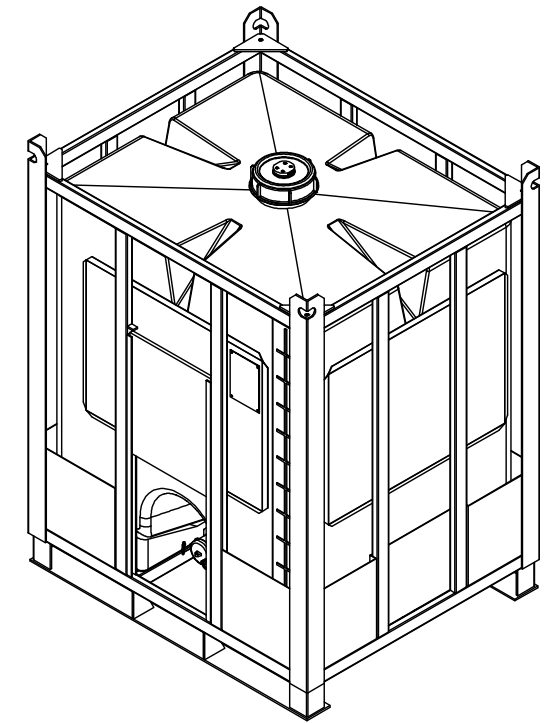
NOTES:

1. CAPACITY: 250 IMP GAL (1130 L)
2. TARE WEIGHT: 550 LBS (260 KG)
3. PRIMARY MARKINGS: U.N. 31HA1/Y/

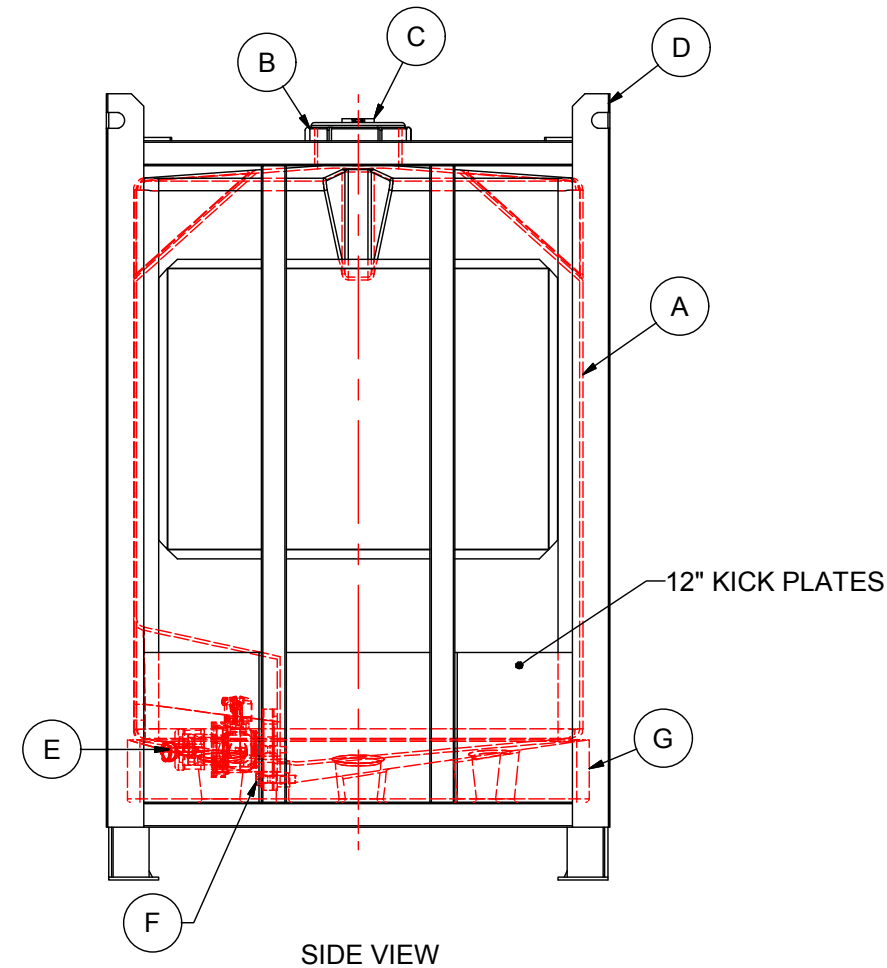
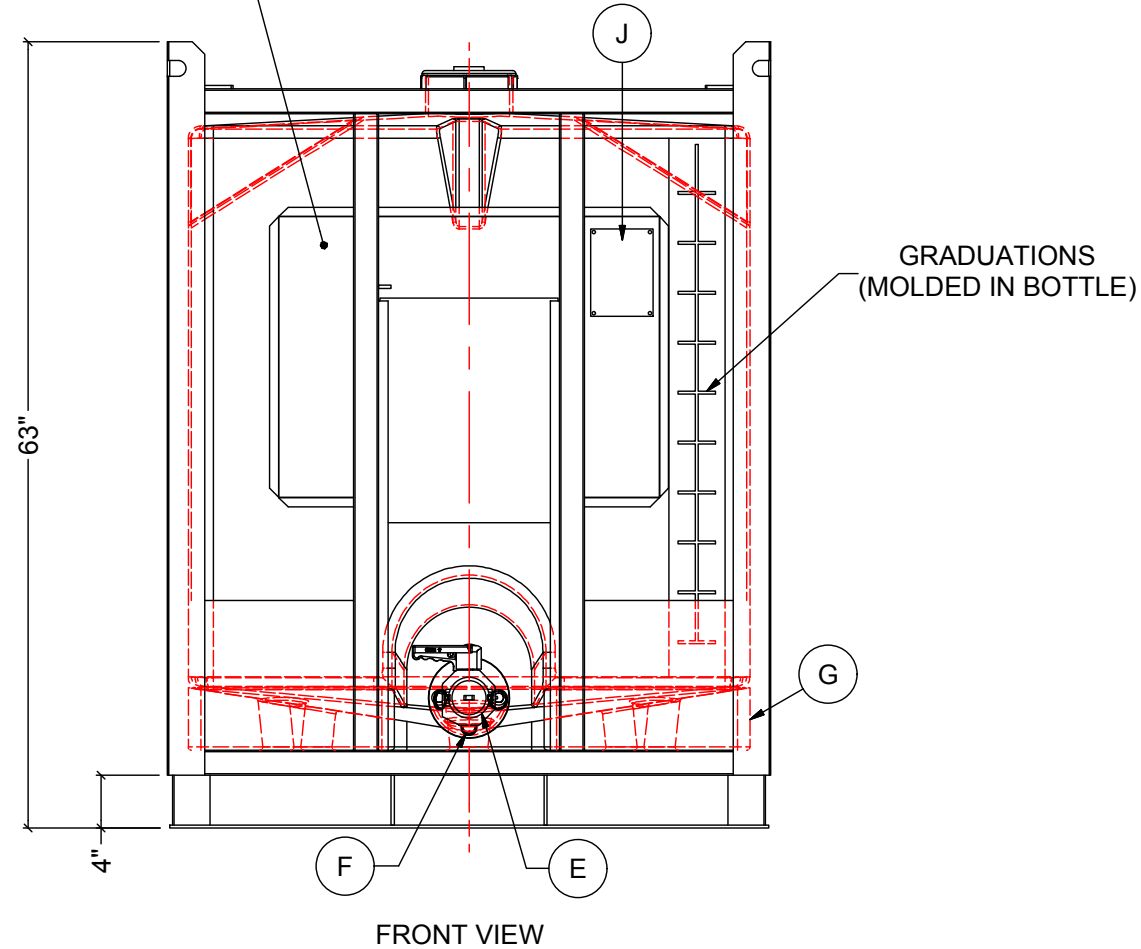
STACKING BRACKET DETAIL (H)



MATERIALS LIST		
ITEM	DESCRIPTION	NOTES
A	PTC-250 HDPE BOTTLE	
B	6" ORANGE HDPE THREADED LID WITH GASKET (EPDM OR VITON) AND TIE DOWN	
C	2" COMBI-VENT - VACUUM AND PRESSURE RELIEF (OPTIONAL)	IN LID
D	STEEL FRAME WITH 12" KICK PLATES AND VALVE PROTECTION GATE	
E	2IN POLYPRO BALL VALVE-CAM LOCK FITTING	
F	VALVE MOUNTING HARDWARE KIT	
G	BLACK POLY FRAME PILLOW	
H	FRAME CORNER STACKING BRACKET WITH SCREW	4 PLACES
J	ALUMINUM U.N. FRAME TAG	



INNER SUPPORT PLATE



REV	DATE	DESCRIPTION	BY	APPD	REVD
REVISIONS					
CUSTOMER					
TITLE			ACO JOB NO:		
250 IG PALLET TANK WITH 12" KICK PLATES			PURCHASE ORDER NO:		
			PURCHASER'S EQUIP. NO:		
THIS DRAWING IS THE PROPERTY OF ROTOPLAST INC. AND SHALL NOT BE COPIED OR TRANSFERRED WITHOUT THE WRITTEN CONSENT OF ROTOPLAST INC.					
ENGINEERS SEAL		<b>ACO CONTAINER SYSTEMS</b> DIVISION OF ROTOPLAST INC. <small>PICKERING - ONTARIO - CANADA</small> ACO CONTAINER SYSTEMS DIVISION OF ROTOPLAST INC. 794 MCKAY RD. PICKERING, ONTARIO, CANADA TEL. 905-683-8222 FAX 905-683-2969 <small>DWG No</small>			
		DESIGNED		WM	
		DRAWN			
		CHECKED			
		APPROVED			
		SCALE		N.T.S.	
		DATE		15-03-16	
PTC-250			REV 0		