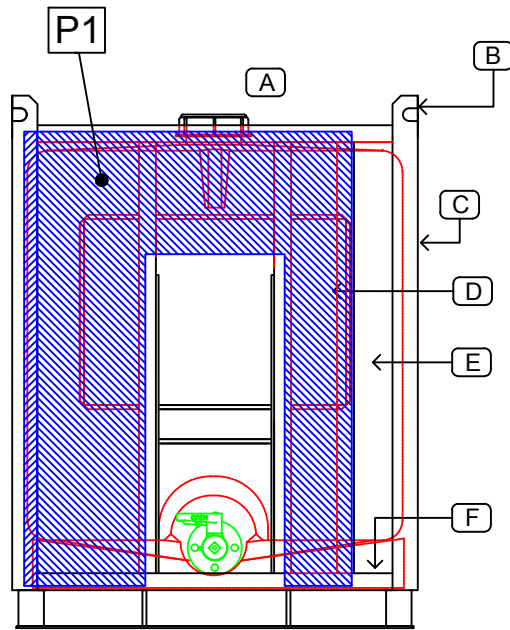
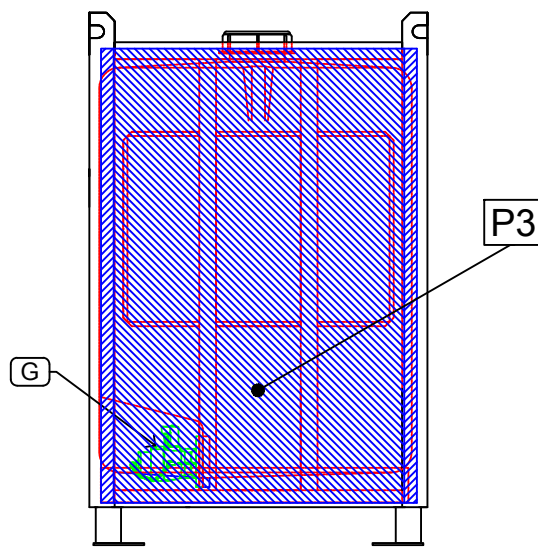


PLAN VIEW



FRONT VIEW



SIDE VIEW

NOTES:

1. UNIT IS MANUFACTURED FROM LLDPE RESIN WITH A CARBON STEEL OUTER FRAME
2. UNIT IS U.N. APPROVED FOR THE TRANSPORT OF DANGEROUS GOODS UP TO 1.7 S.G.)

NOZZLE SCHEDULE

ITEM	SIZE	DESCRIPTION	RATING
A	6"	THREADED LID WITH EPDM GASKET C/W TIE DOWN ASSEMBLY	ACCESS
B	--	STEEL LIFTING LUG (CUT OUT)	(4) PLACES
C	--	CARBON STEEL FRAME FULLY C/W (4) WAY FORK LIFT ENTRY PAINTED WITH BLACK ENAMEL	SUPPORT
D	--	CARBON STEEL INNER PANELS	SUPPORT
E	--	250 IG/1135 LITRE LLDPE INNER STORAGE TANK (U.N. APPROVED)	STORAGE
F	--	LLDPE MOULDED SUPPORT PILLOW	BOTTLE SUPPORT
G	2"	316 PP BALL VALVE C/W TEFLON SEATS AND A EPDM FLANGE GASKET	DISCHARGE
P1	1	1/8 STEEL PLATE, 39 x 54	FRONT PLATE
P2	1	1/8 STEEL PLATE, 45 x 54	BACK PLATE
P3	2	1/8 STEEL PLATE, 38 x 54	SIDE PLATE

REV	DATE	DESCRIPTION	BY	APPD	REVD
REVISIONS					
CUSTOMER					
TITLE		ACO JOB NO:			
PTC-250 FRAME FULLY ENCLOSED		PURCHASE ORDER NO:			
		PURCHASER'S EQUIP. NO:			
THIS DRAWING IS THE PROPERTY OF ROTOPLAST INC. AND SHALL NOT BE COPIED OR TRANSFERRED WITHOUT THE WRITTEN CONSENT OF ROTOPLAST INC.					
ENGINEERS SEAL		ACO CONTAINER SYSTEMS DIVISION OF ROTOPLAST INC.			
<small>PICKERING - ONTARIO - CANADA</small>					
ACO CONTAINER SYSTEMS LTD. DIVISION OF ROTOPLAST INC. 794 MCKAY RD. PICKERING, ONTARIO, CANADA TEL. 905-683-8222 FAX 905-683-2969		DESIGNED	S.A.		
		DRAWN	W.M.		
		CHECKED			
		APPROVED			
		SCALE	N.T.S.		
		DATE	12-18-07		
DWG No		PTC-250-FE			REV
					0