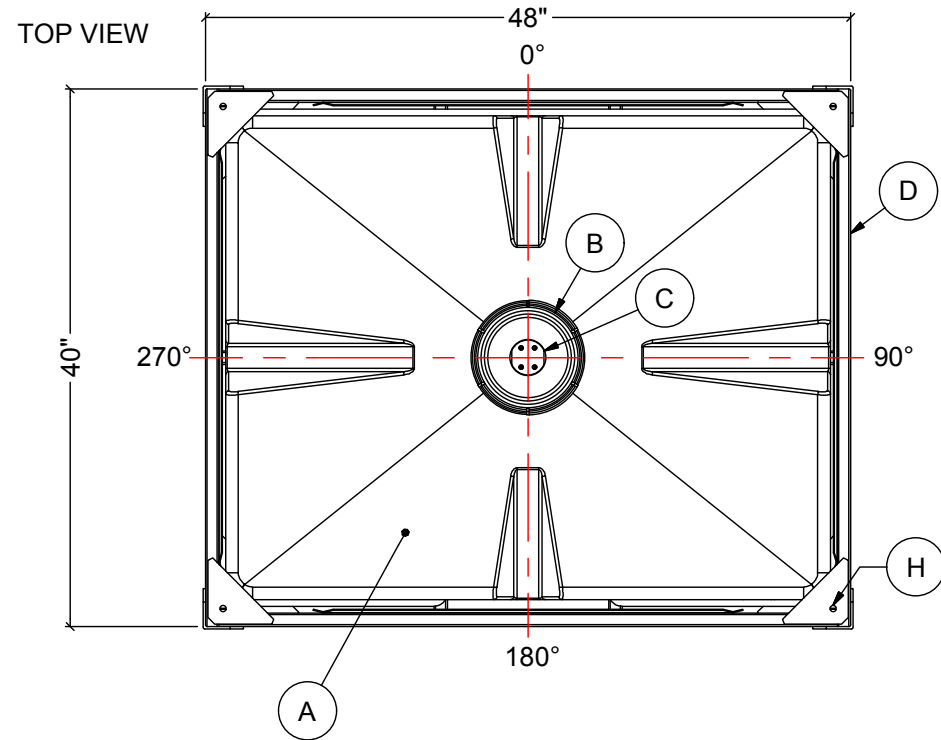


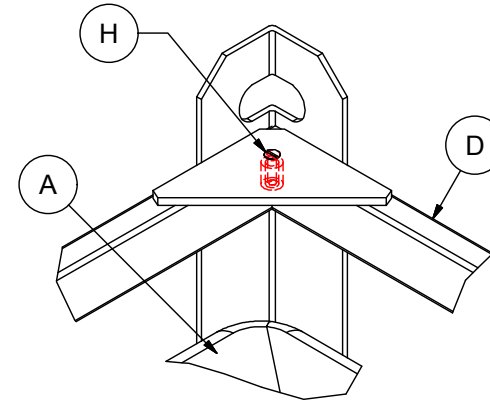
TOP VIEW



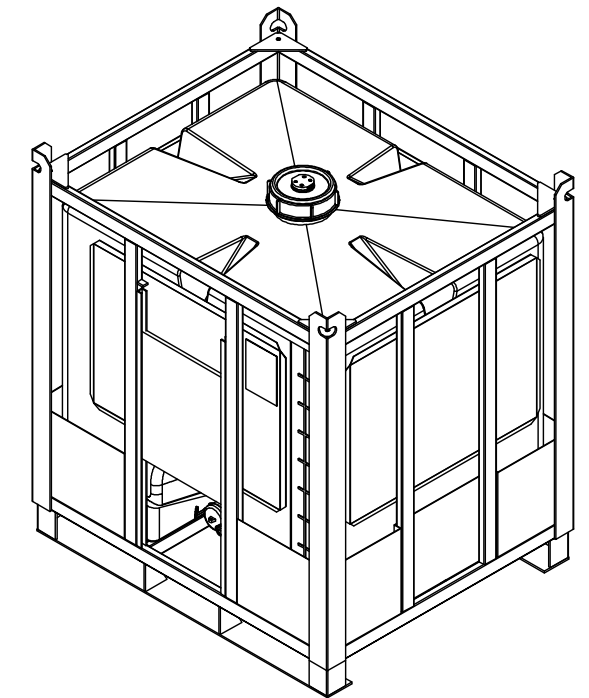
NOTES:

1. CAPACITY: 200 IMP GAL (910 L)
2. TARE WEIGHT: 547 LBS (248 KG)
3. PRIMARY MARKINGS: U.N. 31HA1/Y/

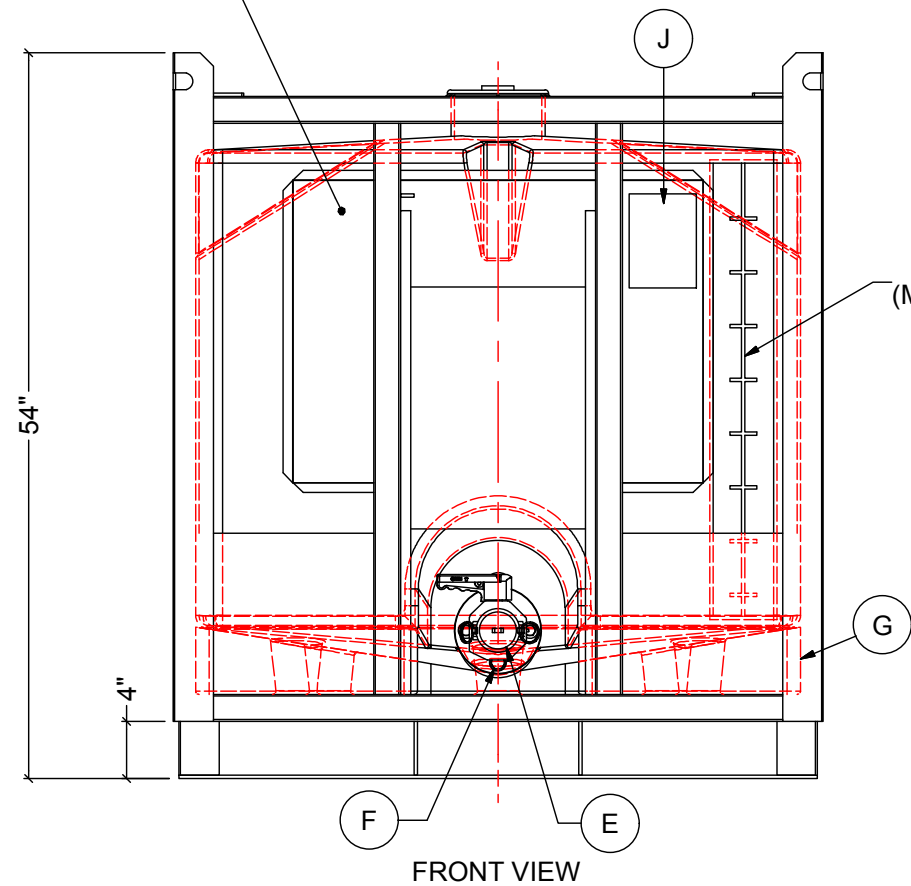
STACKING BRACKET DETAIL (H)



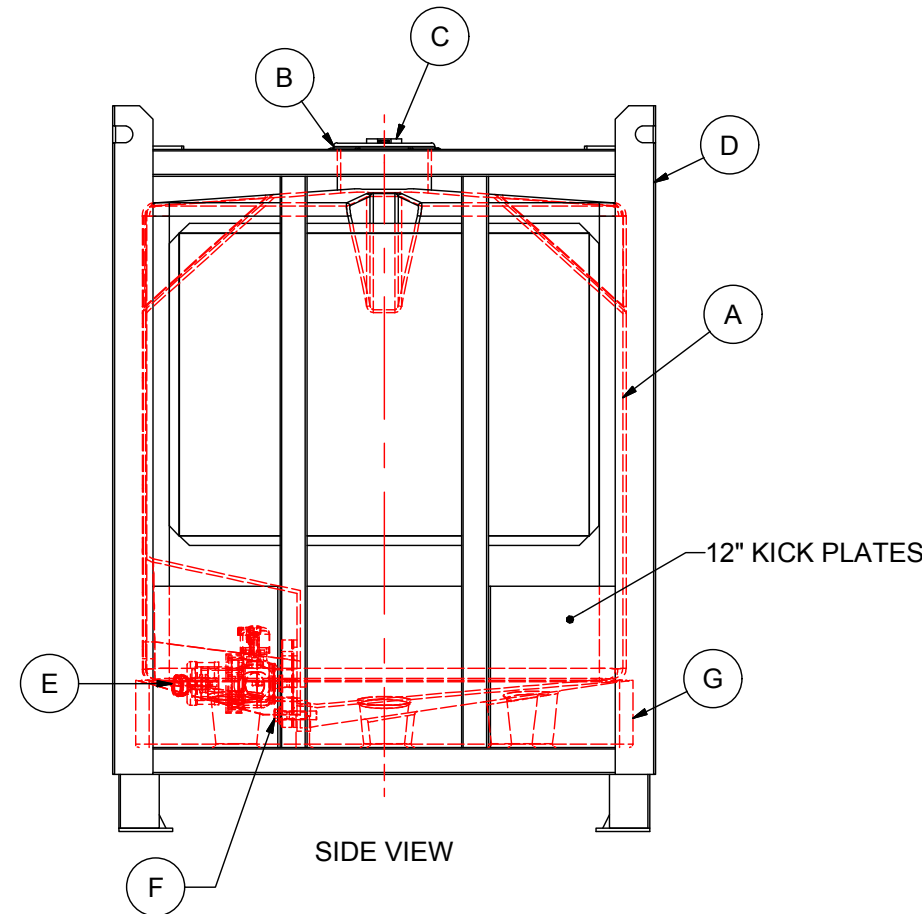
MATERIALS LIST		
ITEM	DESCRIPTION	NOTES
A	PTC-200 HDPE BOTTLE	
B	6" THREADED LID	
C	2" COMBI-VENT - VACUUM AND PRESSURE RELIEF (OPTIONAL)	IN LID
D	STEEL FRAME WITH 12" KICKPLATES AND VALVE PROTECTION GATE	
E	2IN POLYPRO BALL VALVE-CAM LOCK FITTING	
F	VALVE MOUNTING HARDWARE KIT	
G	BLACK POLY FRAME PILLOW	
H	FRAME CORNER STACKING BRACKET WITH SCREW	4 PLACES
J	UN FRAME TAG	



INNER SUPPORT PLATE



FRONT VIEW



SIDE VIEW

REV	DATE	DESCRIPTION	BY	APPD	REVD
REVISIONS					
CUSTOMER					
TITLE		ACO JOB NO:			
200 IG PALLET TANK WITH 12" KICK PLATES		PURCHASE ORDER NO:			
		PURCHASER'S EQUIP. NO:			
THIS DRAWING IS THE PROPERTY OF ROTOPLAST INC. AND SHALL NOT BE COPIED OR TRANSFERRED WITHOUT THE WRITTEN CONSENT OF ROTOPLAST INC.					
ENGINEERS SEAL		<b>ACO CONTAINER SYSTEMS</b> DIVISION OF ROTOPLAST INC. <small>PICKERING - ONTARIO - CANADA</small> ACO CONTAINER SYSTEMS DIVISION OF ROTOPLAST INC. 794 MCKAY RD. PICKERING, ONTARIO, CANADA TEL. 905-683-8222 FAX 905-683-2969 DWG No			
		DESIGNED		WM	
		DRAWN			
		CHECKED			
		APPROVED			
		SCALE		N.T.S.	
		DATE		15-03-16	
		PTC-200		REV 0	