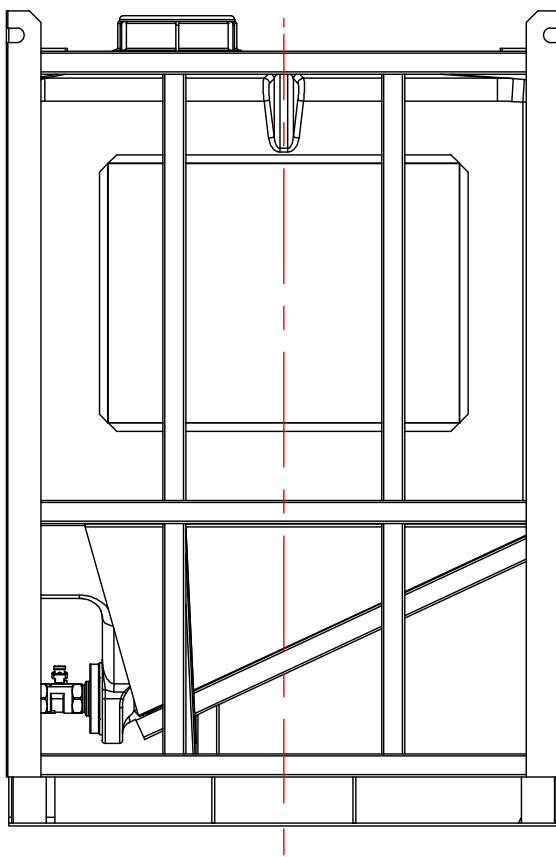
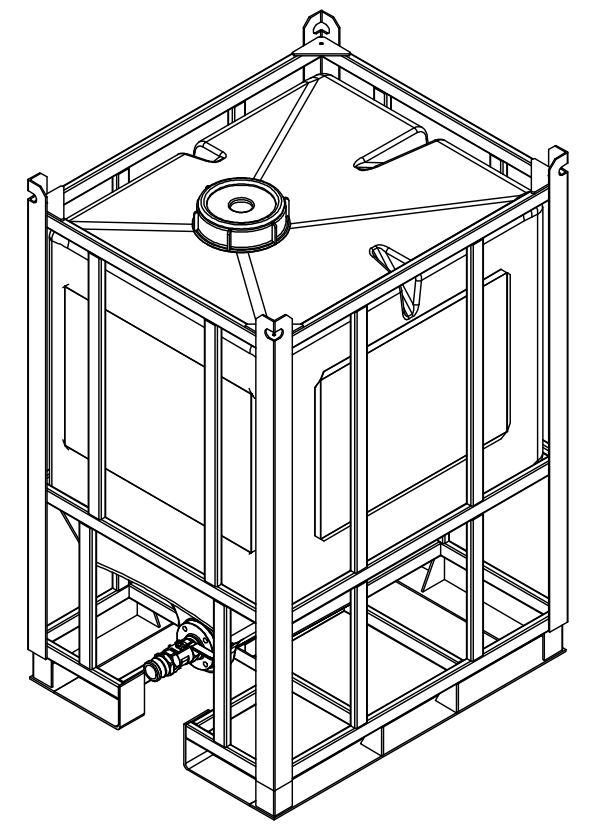


NOTES:

1. TANK IS MANUFACTURED FROM HDPE.
2. TANK IS MANUFACTURED TO ASTM-D-1998 STANDARD.

MATERIALS LIST		
ITEMS	DESCRIPTION	NOTES
A	PT-240-QD HDPE BOTTLE	
B	10" THREADED LID	
C	2" SS-316 BALL VALVE WITH SS-316 CAM LOCK	
D	STEEL FRAME FOR PT-240-QD	



SIDE VIEW

REV	DATE	DESCRIPTION	BY	APPD	REVD
REVISIONS					
CUSTOMER					
TITLE			ACO JOB NO:		
240 IG QUICK DISCHARGE TOTE			PURCHASE ORDER NO:		
			PURCHASER'S EQUIP. NO:		
THIS DRAWING IS THE PROPERTY OF ROTOPLAST INC. AND SHALL NOT BE COPIED OR TRANSFERRED WITHOUT THE WRITTEN CONSENT OF ROTOPLAST INC.					
ENGINEERS SEAL		<b>ACO CONTAINER SYSTEMS</b> DIVISION OF ROTOPLAST INC.			
		PICKERING - ONTARIO - CANADA			
		ACO CONTAINER SYSTEMS		DESIGNED	
		DIVISION OF ROTOPLAST INC.		DRAWN	
		794 MCKAY RD.		CHECKED	
		PICKERING, ONTARIO, CANADA		APPROVED	
		TEL. 905-683-8222		SCALE	
		FAX 905-683-2969		DATE	
		DWG No		REV	
		PT-240-QD		0	