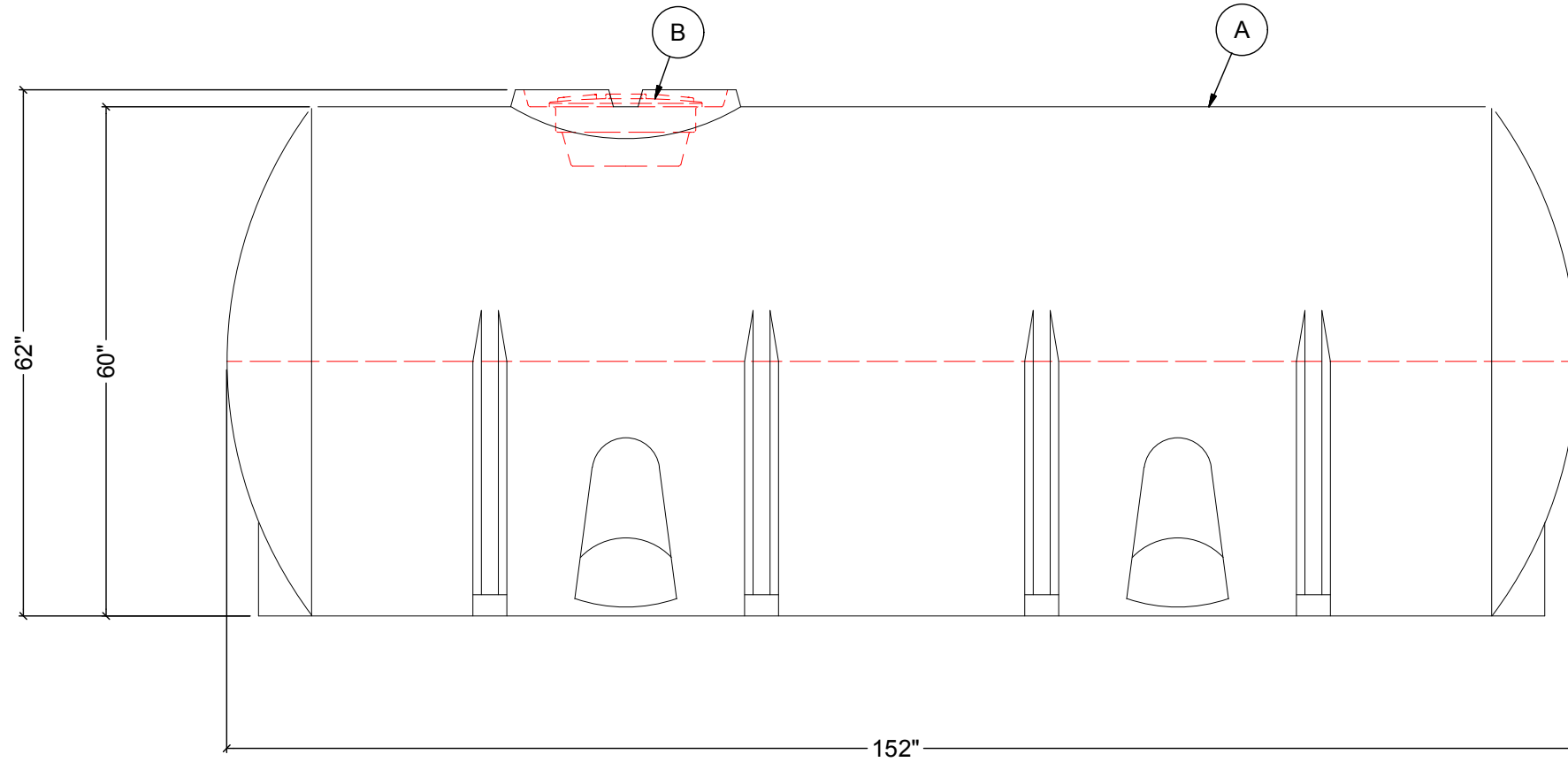


NOTES:

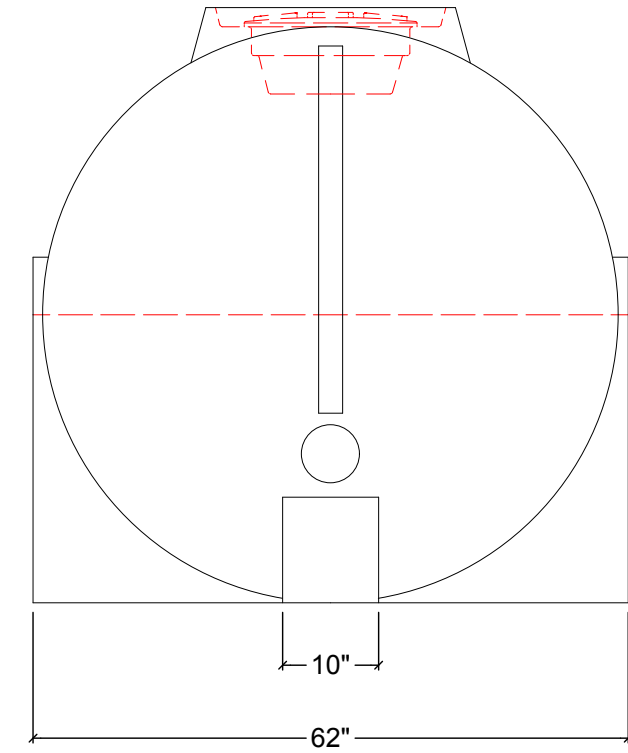
1. TANK IS MANUFACTURED FROM HDPE.
2. TANK IS MANUFACTURED TO ASTM-D-1998 STANDARD.

| MATERIALS LIST |                          |       |
|----------------|--------------------------|-------|
| ITEMS          | DESCRIPTION              | NOTES |
| A              | IHT-1400 HORIZONTAL TANK |       |
| B              | 15" THREADED LID         |       |

SIDE VIEW



END VIEW



| REV   | DATE | DESCRIPTION  | BY       | APPD | REVD  |
|---|------|--|----------|------|-------|
| REVISIONS   |      |  |          |      |       |
| CUSTOMER  |      |  |          |      |       |
| TITLE   |      | ACO JOB NO:  |          |      |       |
| 1400 IG HORIZONTAL TANK   |      | PURCHASE ORDER NO:   |          |      |       |
|   |      | PURCHASER'S EQUIP. NO:   |          |      |       |
| THIS DRAWING IS THE PROPERTY OF ROTOPLAST INC. AND SHALL NOT BE COPIED OR TRANSFERRED WITHOUT THE WRITTEN CONSENT OF ROTOPLAST INC. |      |  |          |      |       |
| ENGINEERS SEAL  |      | <b>ACO CONTAINER SYSTEMS</b><br>DIVISION OF ROTOPLAST INC.<br><small>PICKERING - ONTARIO - CANADA</small><br>ACO CONTAINER SYSTEMS<br>DIVISION OF ROTOPLAST INC.<br>794 MCKAY RD.<br>PICKERING, ONTARIO, CANADA<br>TEL. 905-683-8222<br>FAX 905-683-2969 |          |      |       |
|   |      | DESIGNED   |          |      |       |
|   |      | DRAWN  | WM       |      |       |
|   |      | CHECKED  |          |      |       |
|   |      | APPROVED   |          |      |       |
|   |      | SCALE  | N.T.S.   |      |       |
|   |      | DATE   | 21-03-16 |      |       |
| DWG No  |      | IHT-1400   |          |      | REV 0 |