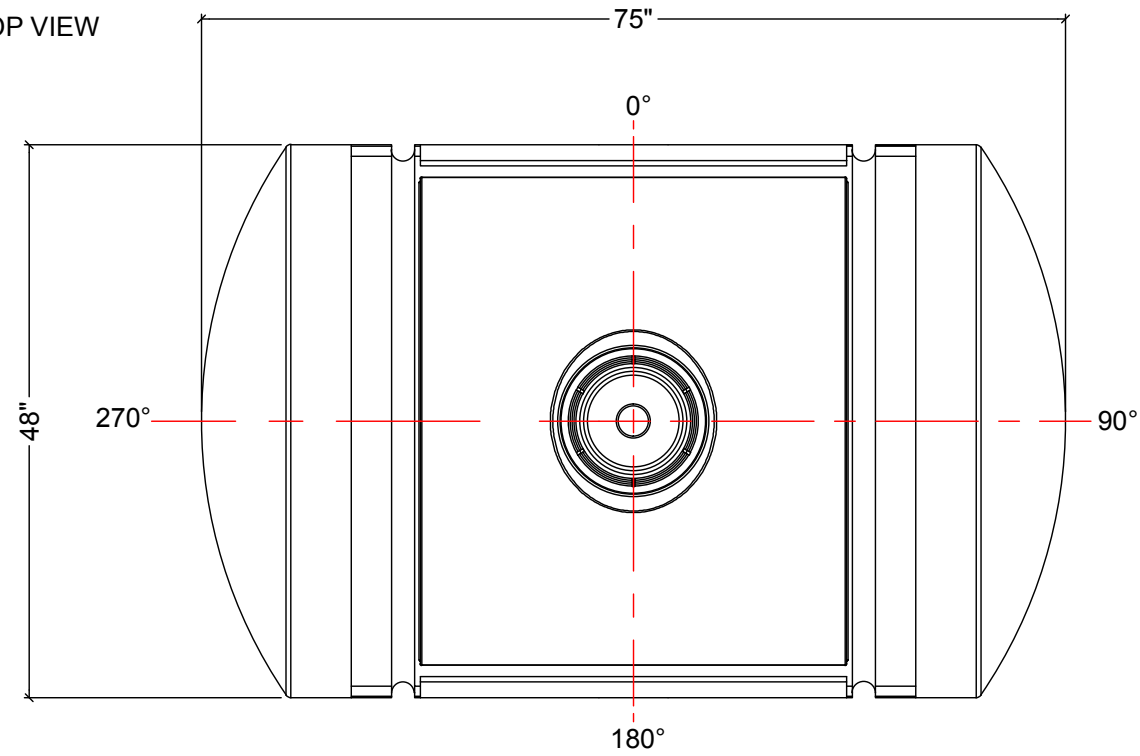


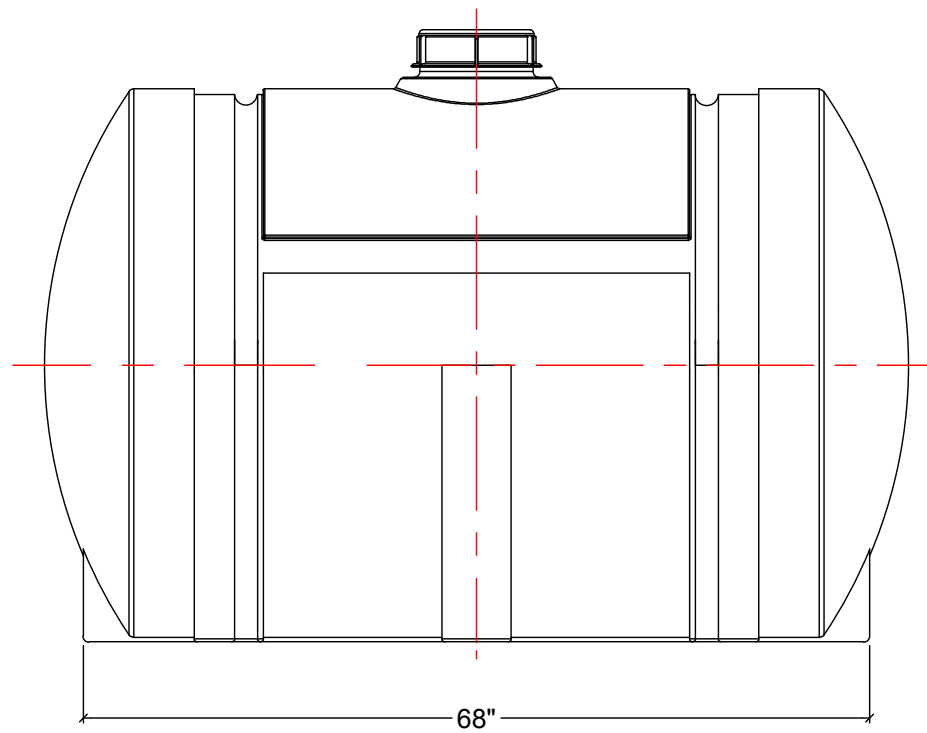
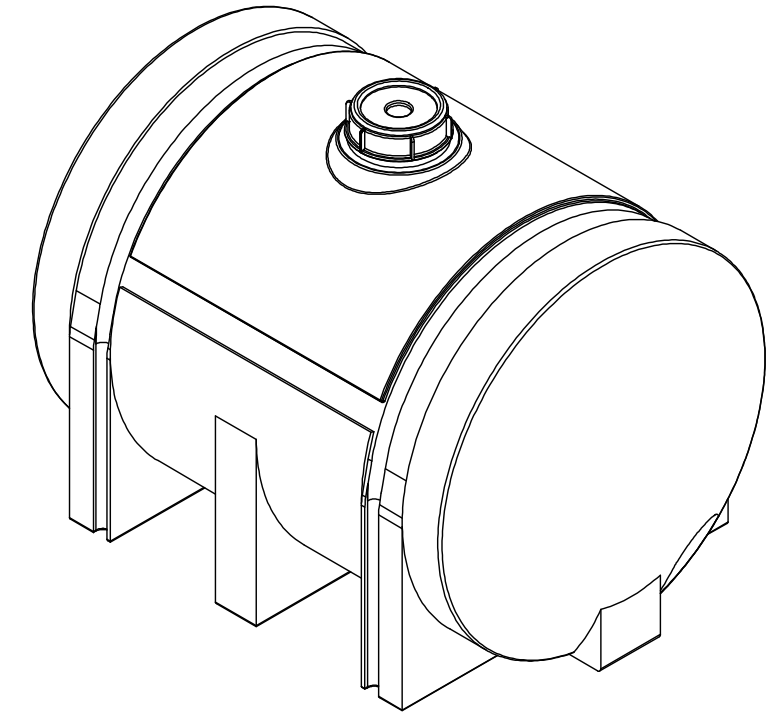
TOP VIEW



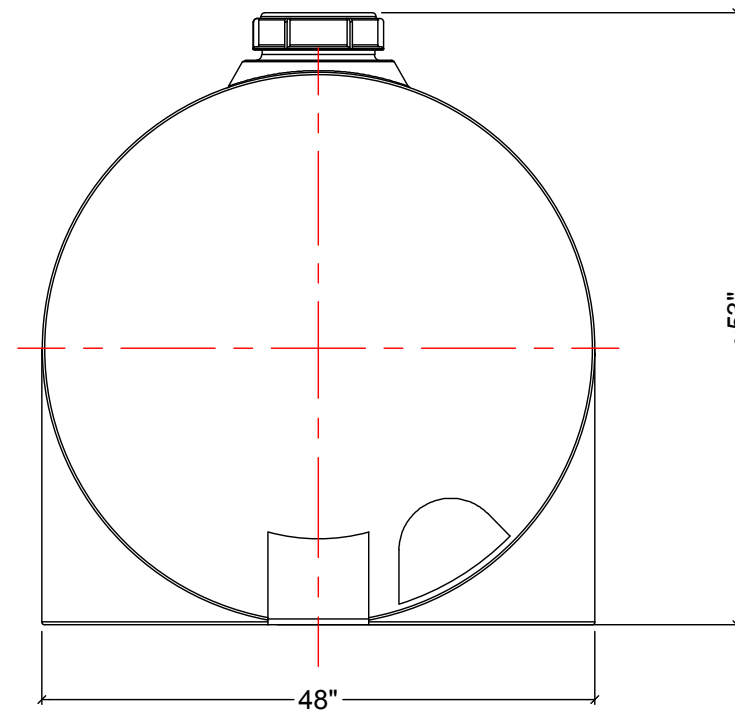
NOTES:

1. TANK IS MANUFACTURED FROM HDPE.
2. TANK IS MANUFACTURED TO ASTM-D-1998 STANDARD.

MATERIALS LIST		
ITEMS	DESCRIPTION	NOTES
A	IHT-435 HORIZONTAL TANK	
B	10" THREADED LID	



FRONT VIEW



SIDE VIEW

REV	DATE	DESCRIPTION	BY	APPD	REVD
REVISIONS					
CUSTOMER					
TITLE		ACO JOB NO:			
435 IG HORIZONTAL TANK		PURCHASE ORDER NO:			
		PURCHASER'S EQUIP. NO:			
THIS DRAWING IS THE PROPERTY OF ROTOPLAST INC. AND SHALL NOT BE COPIED OR TRANSFERRED WITHOUT THE WRITTEN CONSENT OF ROTOPLAST INC.					
ENGINEERS SEAL		ACO CONTAINER SYSTEMS DIVISION OF ROTOPLAST INC.			
<small>PICKERING - ONTARIO - CANADA</small>					
<small>ACO CONTAINER SYSTEMS</small>		<small>DESIGNED</small>			
<small>DIVISION OF ROTOPLAST INC.</small>		<small>DRAWN</small>	WM		
<small>794 MCKAY RD.</small>		<small>CHECKED</small>			
<small>PICKERING, ONTARIO, CANADA</small>		<small>APPROVED</small>			
<small>TEL. 905-683-8222</small>		<small>SCALE</small>	N.T.S.		
<small>FAX 905-683-2969</small>		<small>DATE</small>	21-03-16		
<small>DWG No</small>		IHFS-435		<small>REV</small>	0