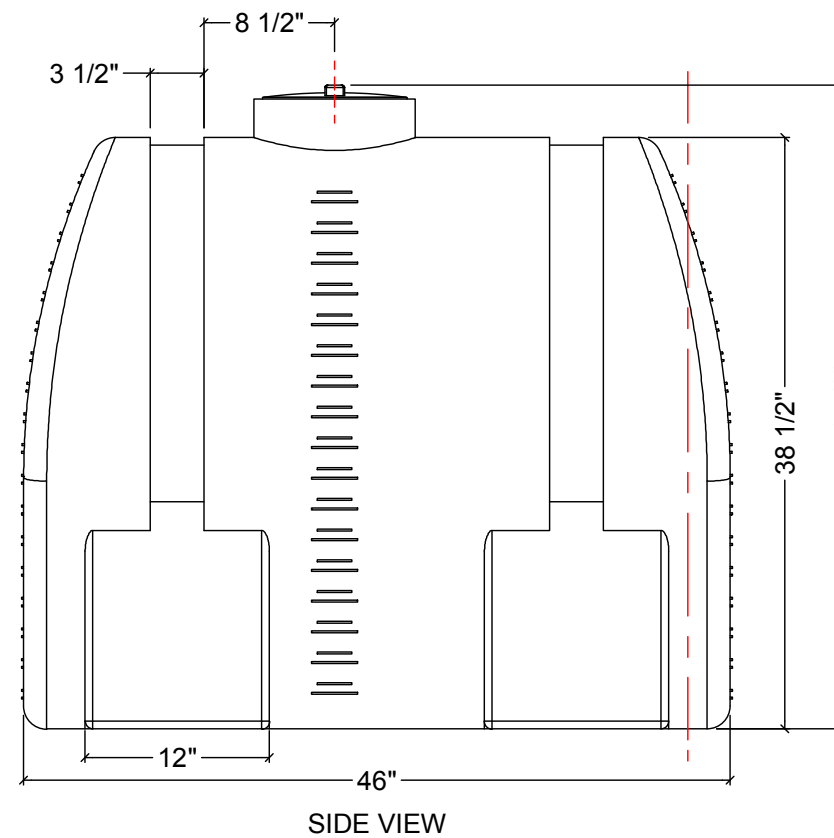
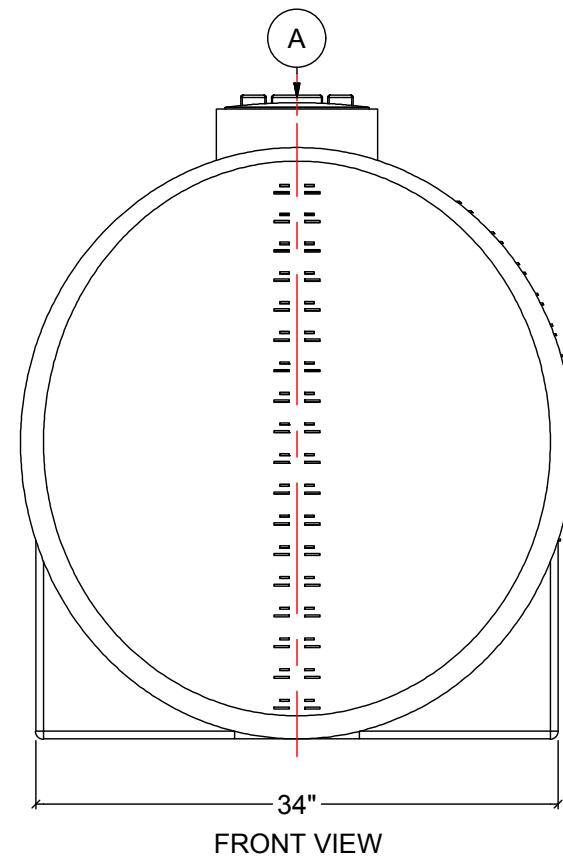
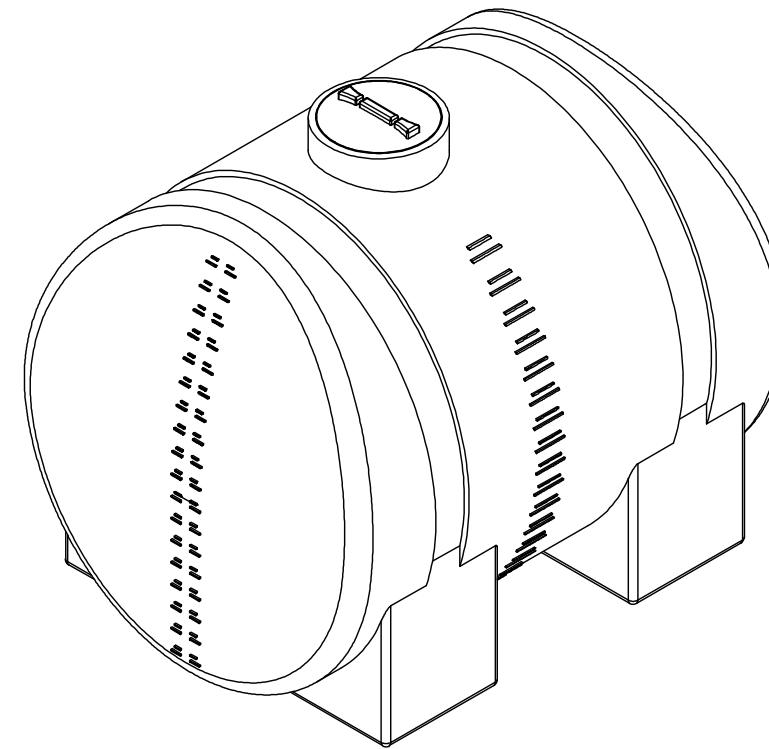
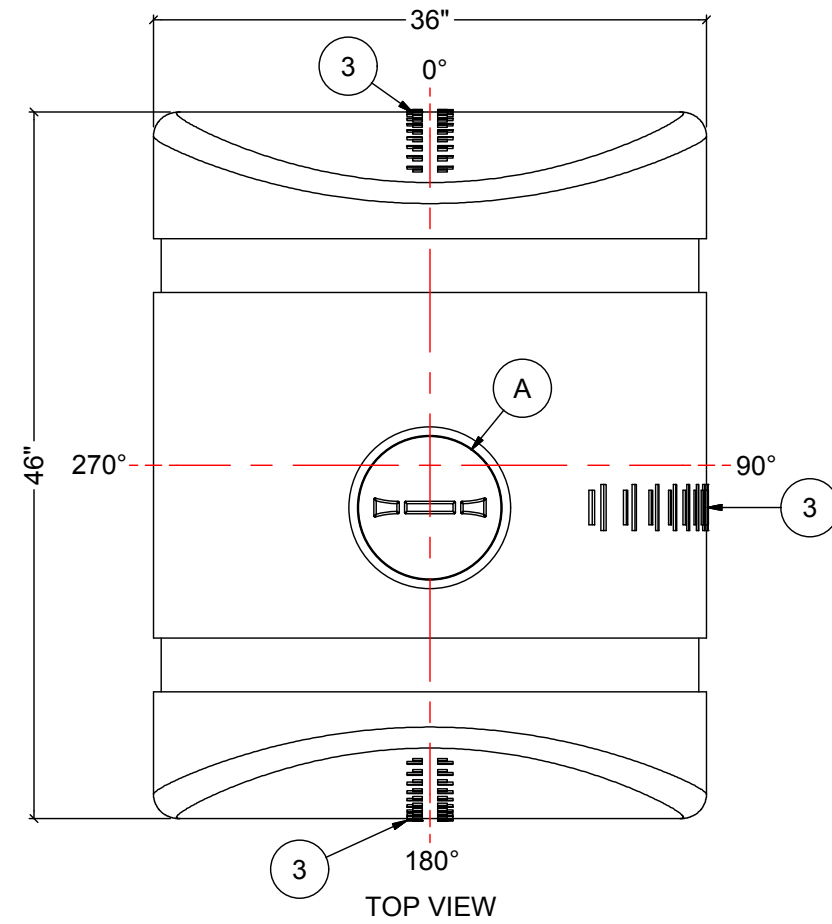


MATERIALS LIST		
ITEMS	DESCRIPTION	NOTES
A	8" THREADED MCPHEE LID	

NOTES:

1. TANK IS MANUFACTURED FROM HDPE. (1.5 SG)
2. TANK IS MANUFACTURED TO ASTM-D-1998 STANDARD.
3. MOULDED IN CALIBRATION. (3 PLACES)



REV	DATE	DESCRIPTION	BY	APPD	REVD
REVISIONS					
CUSTOMER					
TITLE		ACO JOB NO:			
170 IG HORIZONTAL TANKS		PURCHASE ORDER NO:			
		PURCHASER'S EQUIP. NO:			
THIS DRAWING IS THE PROPERTY OF ROTOPLAST INC. AND SHALL NOT BE COPIED OR TRANSFERRED WITHOUT THE WRITTEN CONSENT OF ROTOPLAST INC.					
ENGINEERS SEAL		ACO CONTAINER SYSTEMS DIVISION OF ROTOPLAST INC. <small>PICKERING - ONTARIO - CANADA</small> ACO CONTAINER SYSTEMS DIVISION OF ROTOPLAST INC. 794 MCKAY RD. PICKERING, ONTARIO, CANADA TEL. 905-683-8222 FAX 905-683-2969 <small>DWG No</small>			
		DESIGNED	WM		
		DRAWN			
		CHECKED			
		APPROVED			
		SCALE	N.T.S.		
		DATE	21-03-16		
IHFS-170			REV	0	