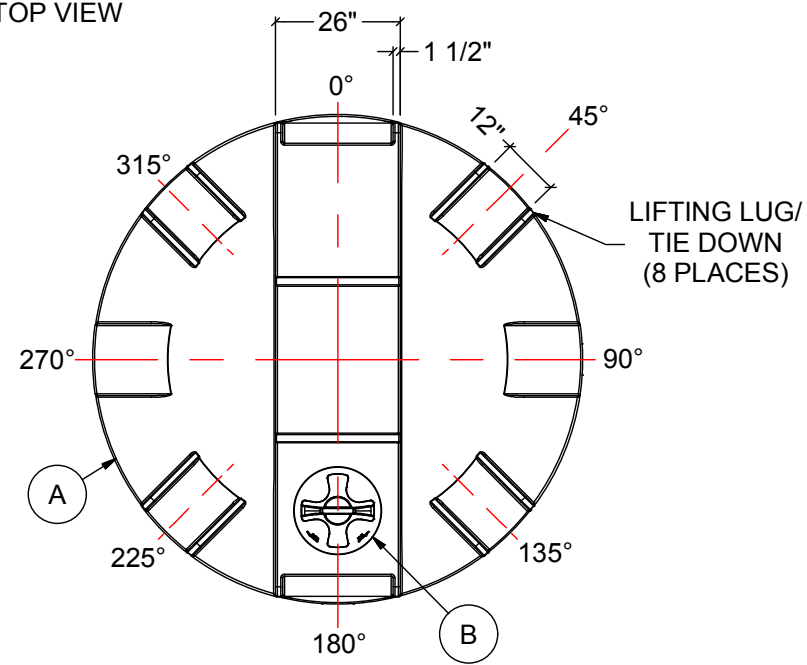


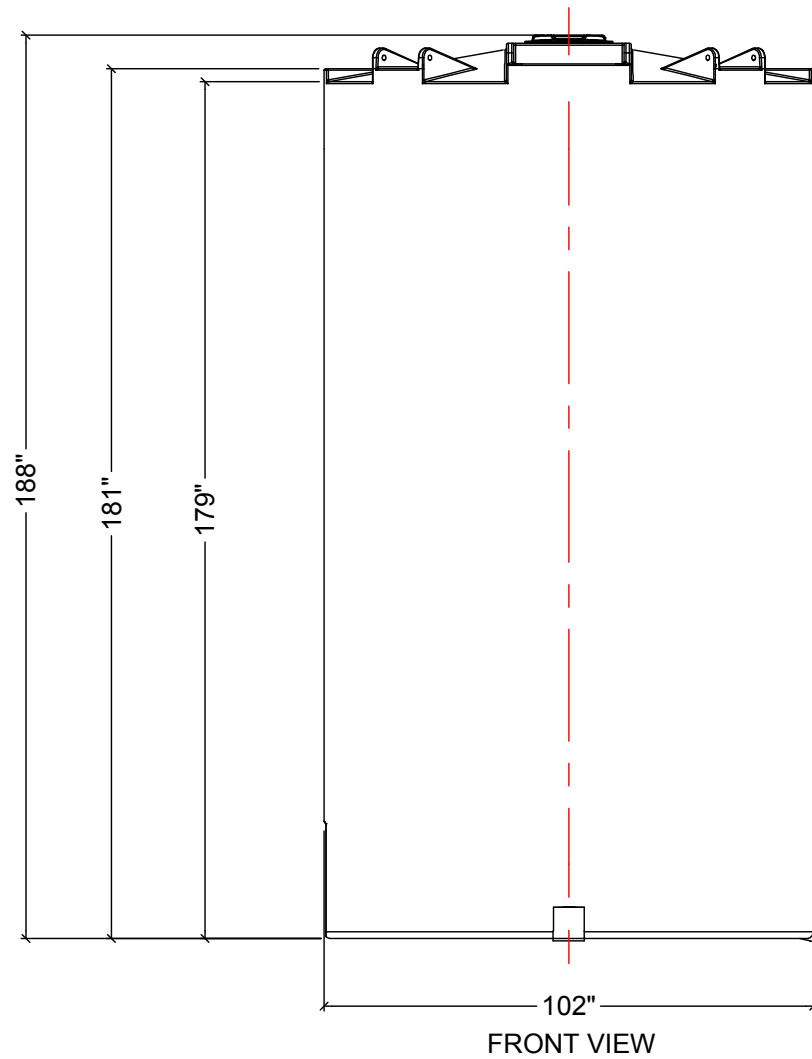
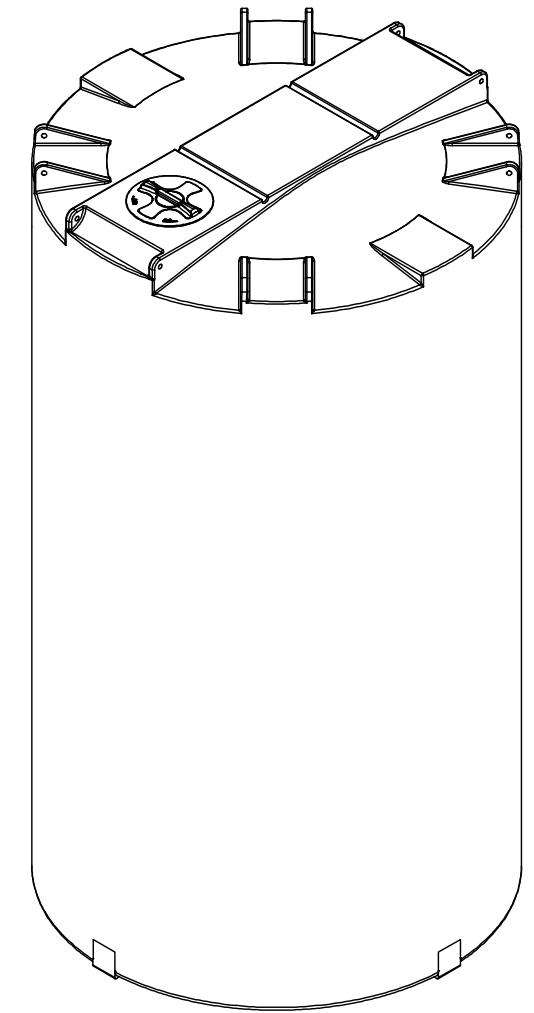
TOP VIEW



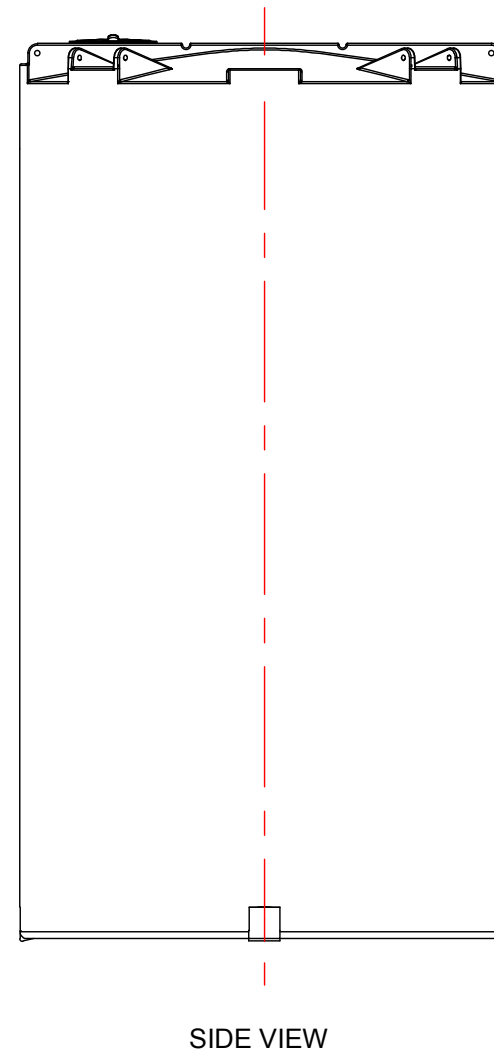
NOTES:

1. TANK IS MANUFACTURED TO ASTM-D-1998 STANDARD.
2. ALL DIMENSIONS ARE APPROXIMATE.
3. TANK CAPACITY APPROX. 22,700 L / 5,000 IG

MATERIALS LIST		
ITEMS	DESCRIPTION	NOTES
A	CT-5002 CLOSED TOP TANK	
B	15" THREADED LID	



FRONT VIEW



SIDE VIEW

REV	DATE	DESCRIPTION	BY	APPD	REVD	
REVISIONS						
CUSTOMER						
TITLE		ACO JOB NO:				
5000 IG CLOSED TOP TANK		PURCHASE ORDER NO:				
		PURCHASER'S EQUIP. NO:				
THIS DRAWING IS THE PROPERTY OF ROTOPLAST INC. AND SHALL NOT BE COPIED OR TRANSFERRED WITHOUT THE WRITTEN CONSENT OF ROTOPLAST INC.						
ENGINEERS SEAL		ACO CONTAINER SYSTEMS DIVISION OF ROTOPLAST INC.				
		<small>PICKERING - ONTARIO - CANADA</small>				
		ACO CONTAINER SYSTEMS DIVISION OF ROTOPLAST INC. 794 MCKAY RD. PICKERING, ONTARIO, CANADA TEL. 905-683-8222 FAX 905-683-2969		DESIGNED		
				DRAWN	WM	
				CHECKED		
				APPROVED		
				SCALE	N.T.S.	
				DATE	002-03-16	
DWG No		CT-5002			REV	0