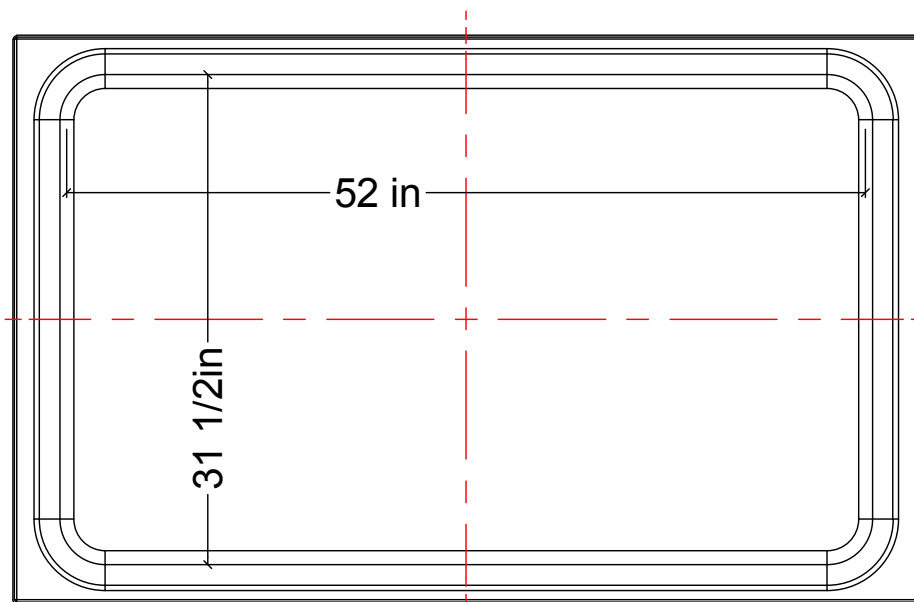
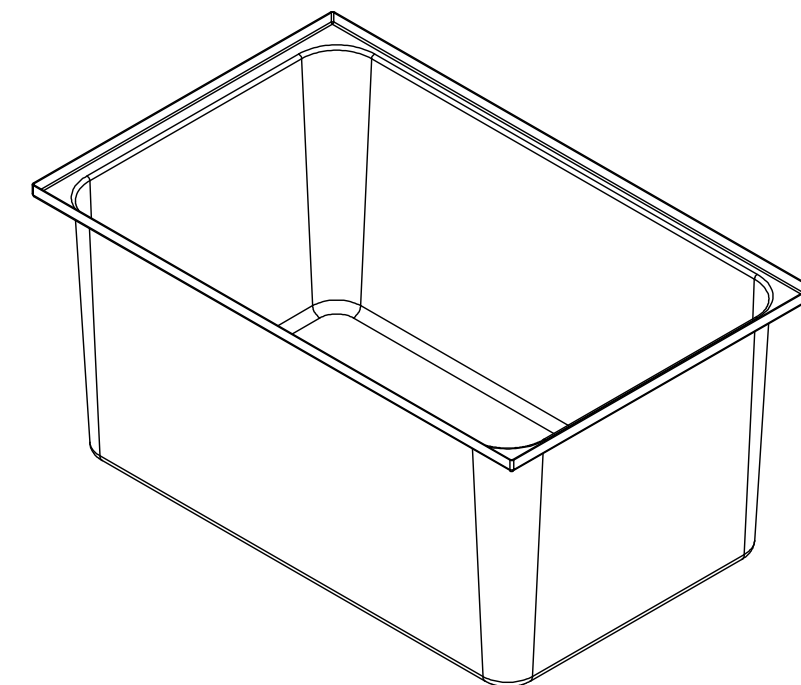


MATERIALS LIST

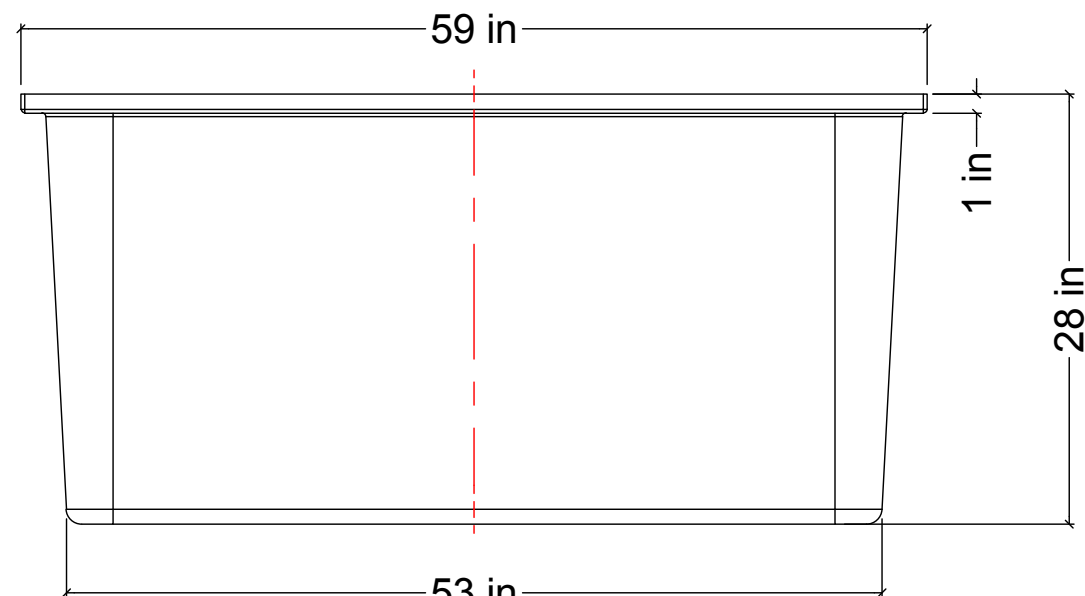
ITEMS	DESCRIPTION	NOTES
A	IRD-165 SECONDARY CONTAINMENT BASIN	

NOTES:

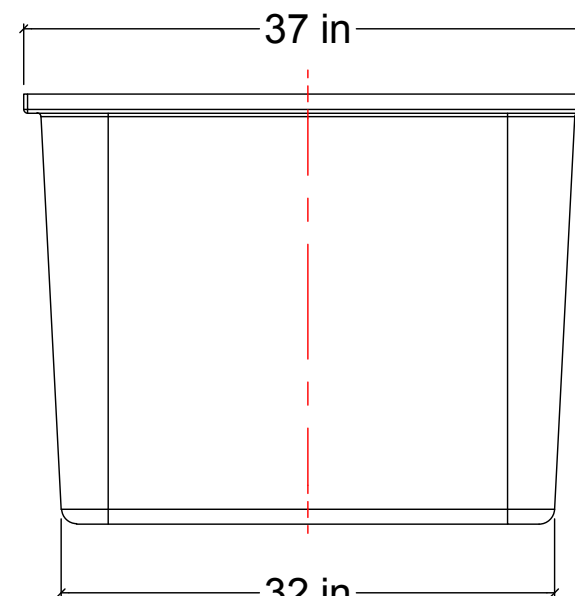
1. TANK IS MANUFACTURED FROM HDPE.
2. TANK IS MANUFACTURED TO ASTM-D-1998 STANDARD.
3. TANK CAPACITY: 165 I.G. (750 L).
4. ALL DIMENSIONS ARE APPROXIMATE.



TOP VIEW



FRONT VIEW



SIDE VIEW

REV	DATE	DESCRIPTION	BY	APPD	REVD
REVISIONS					
CUSTOMER					
TITLE 165 IG SECONDARY CONTAINMENT BASIN			ACO JOB NO: PURCHASE ORDER NO: PURCHASER'S EQUIP. NO:		
THIS DRAWING IS THE PROPERTY OF ROTOPLAST INC. AND SHALL NOT BE COPIED OR TRANSFERRED WITHOUT THE WRITTEN CONSENT OF ROTOPLAST INC.					
ENGINEERS SEAL		ACO CONTAINER SYSTEMS DIVISION OF ROTOPLAST INC.			
		<small>PICKERING - ONTARIO - CANADA</small>			
		ACO CONTAINER SYSTEMS DIVISION OF ROTOPLAST INC. 794 MCKAY RD. PICKERING, ONTARIO, CANADA TEL. 905-683-8222 FAX 905-683-2969		DESIGNED	
				DRAWN	WM
				CHECKED	
				APPROVED	
				SCALE	N.T.S.
				DATE	15-03-16
		DWG No IRD-165			REV 0