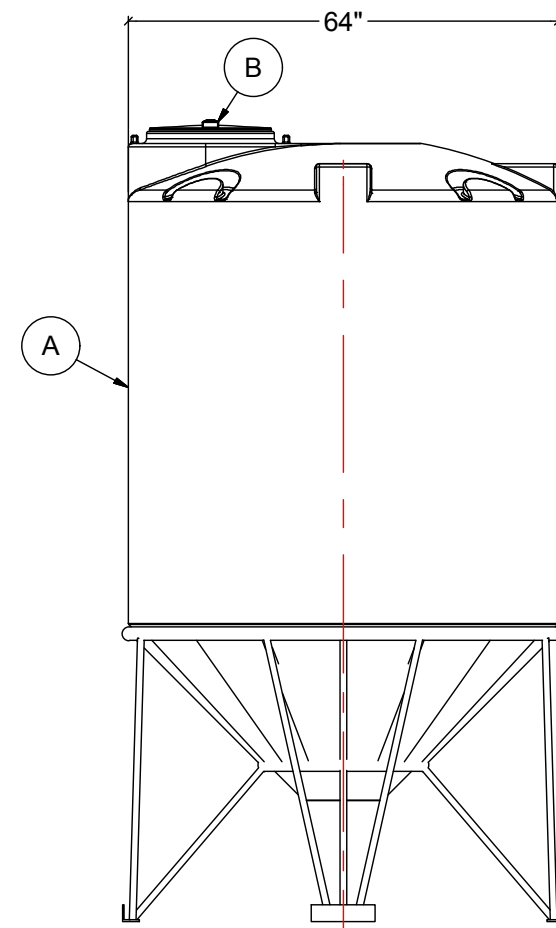


**FRONT VIEW**

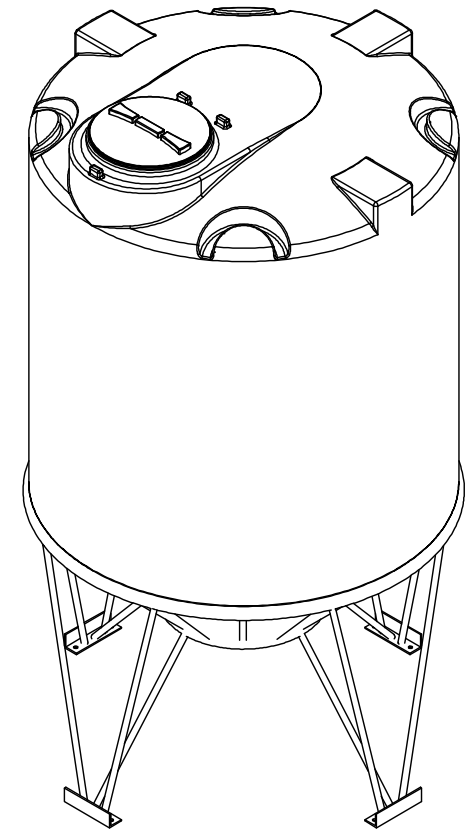
**NOTES:**

1. TANK IS MANUFACTURED TO ASTM-D-1998 STANDARD.
2. ALL DIMENSIONS ARE APPROXIMATE.
3. TANK CAPACITY APPROX. 3,800 L / 850 IG



**SIDE VIEW**

MATERIALS LIST		
ITEMS	DESCRIPTION	NOTES
A	CBC-860 CONE BOTTOM TANK	
B	15" THREADED MCPHEE LID	
C	STEEL STAND FOR CBC-860	



REV	DATE	DESCRIPTION	BY	APPD	REVD
REVISIONS					
CUSTOMER					
TITLE			ACO JOB NO:		
850 IG CONE BOTTOM TANK WITH STAND			PURCHASE ORDER NO:		
			PURCHASER'S EQUIP. NO:		
THIS DRAWING IS THE PROPERTY OF ROTOPLAST INC. AND SHALL NOT BE COPIED OR TRANSFERRED WITHOUT THE WRITTEN CONSENT OF ROTOPLAST INC.					
ENGINEERS SEAL		<b>ACO CONTAINER SYSTEMS</b> DIVISION OF ROTOPLAST INC.			
<small>PICKERING - ONTARIO - CANADA</small>					
ACO CONTAINER SYSTEMS DIVISION OF ROTOPLAST INC. 794 MCKAY RD. PICKERING, ONTARIO, CANADA TEL. 905-683-8222 FAX 905-683-2969			DESIGNED		
			DRAWN	WM	
			CHECKED		
			APPROVED		
			SCALE	N.T.S.	
			DATE	0	
DWG No			CBC-860		REV