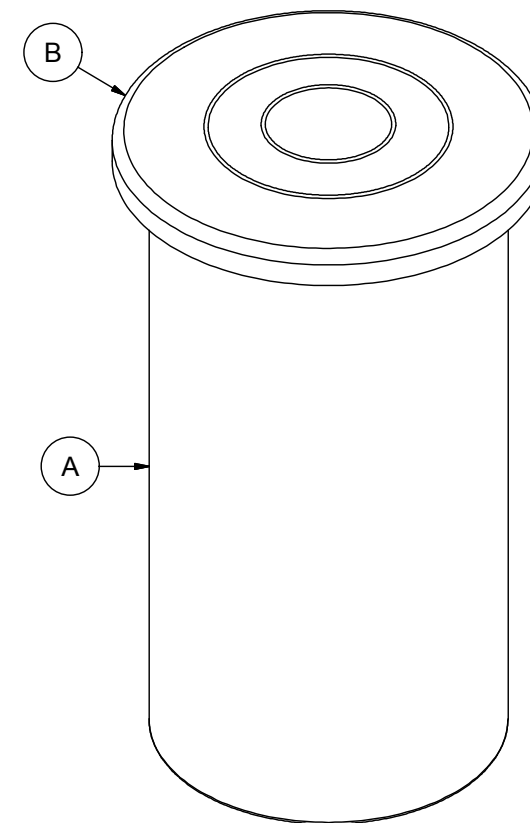


- NOTES:
1. TANK IS MANUFACTURED TO ASTM-D-1998 STANDARD.
 2. ALL DIMENSIONS ARE APPROXIMATE.

| MATERIALS LIST | | |
|----------------|---------------------|-------|
| ITEMS | DESCRIPTION | NOTES |
| A | OT-60 OPEN TOP TANK | |
| B | LID FOR OT-60 | |
| | | |
| | | |
| | | |
| | | |
| | | |
| | | |



| REV | DATE | DESCRIPTION | BY | APPD | REVD |
|---|------|---|----|----------|-------|
| REVISIONS | | | | | |
| CUSTOMER | | | | | |
| TITLE | | ACO JOB NO: | | | |
| 60 IG OPEN TOP TANK | | PURCHASE ORDER NO: | | | |
| | | PURCHASER'S EQUIP. NO: | | | |
| THIS DRAWING IS THE PROPERTY OF ROTOPLAST INC. AND SHALL NOT BE COPIED OR TRANSFERRED WITHOUT THE WRITTEN CONSENT OF ROTOPLAST INC. | | | | | |
| ENGINEERS SEAL | | ACO CONTAINER SYSTEMS DIVISION OF ROTOPLAST INC. <small>PICKERING - ONTARIO - CANADA</small> ACO CONTAINER SYSTEMS DIVISION OF ROTOPLAST INC. 794 MCKAY RD. PICKERING, ONTARIO, CANADA TEL. 905-683-8222 FAX 905-683-2969 <small>DWG No</small> | | | |
| | | DESIGNED | | | |
| | | DRAWN | WM | | |
| | | CHECKED | | | |
| | | APPROVED | | | |
| | | SCALE | | N.T.S. | |
| | | DATE | | 03-03-16 | |
| | | | | OT-60-L | REV 0 |