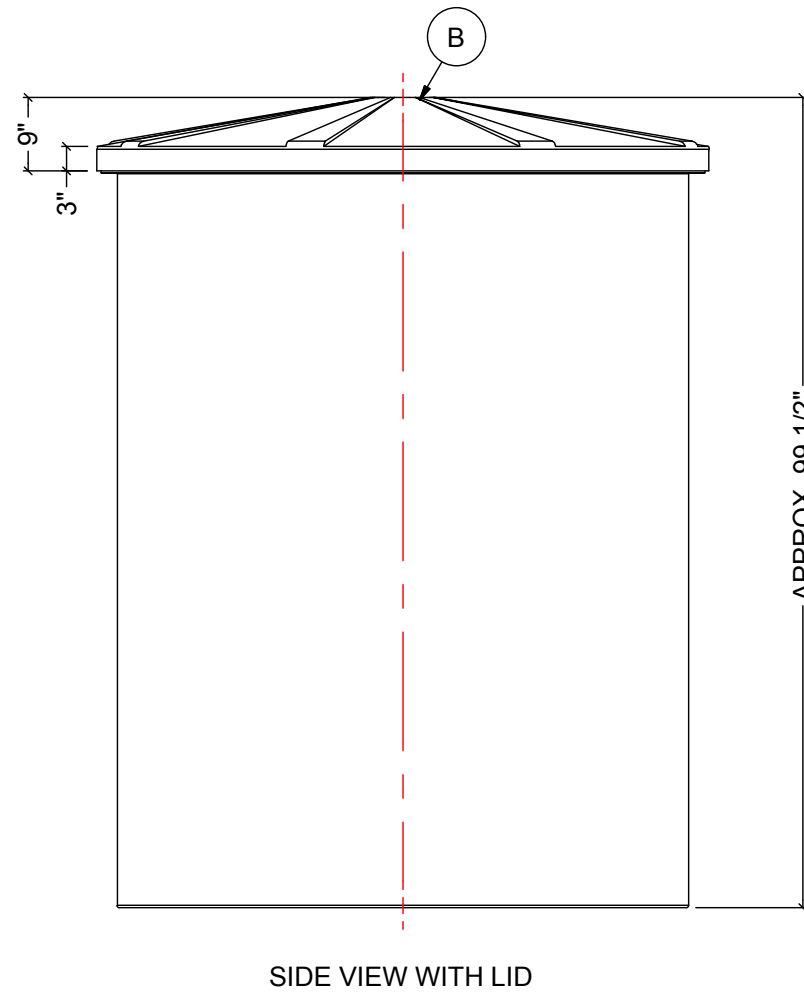
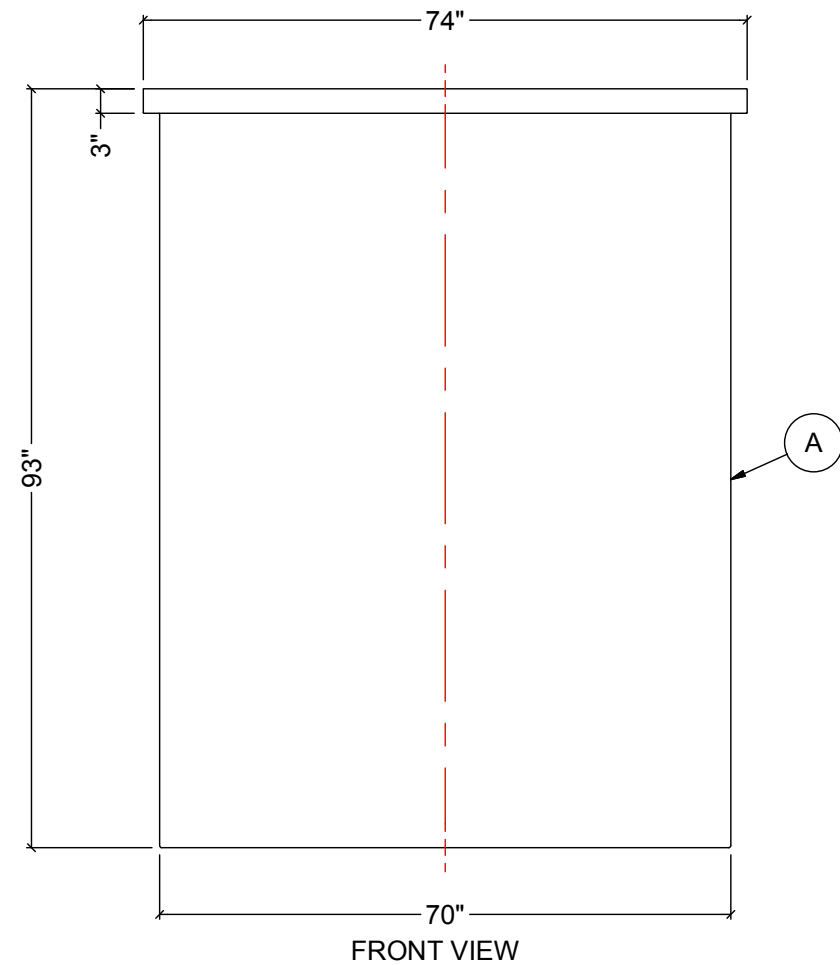
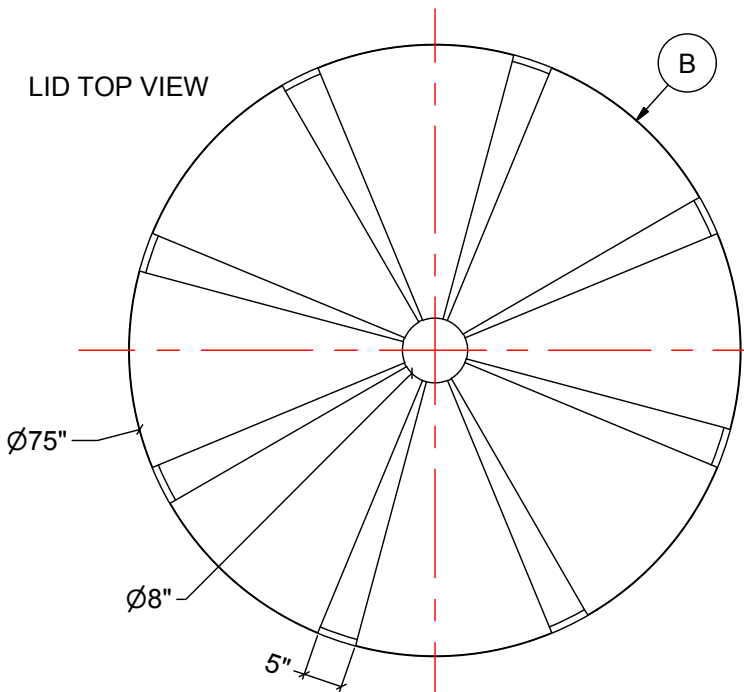
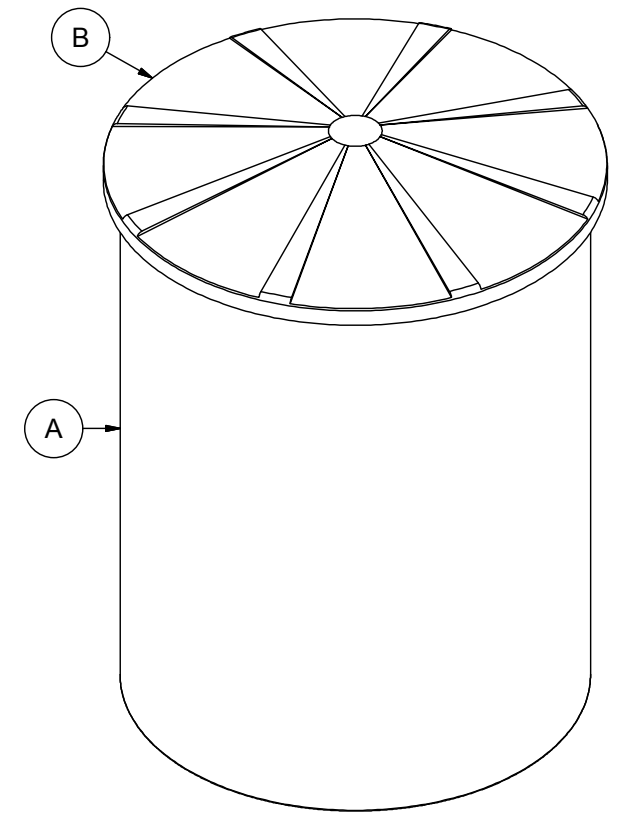


NOTES:

1. TANK IS MANUFACTURED TO ASTM-D-1998 STANDARD.
2. ALL DIMENSIONS ARE APPROXIMATE.



MATERIALS LIST		
ITEMS	DESCRIPTION	NOTES
A	OT-1250 OPEN TOP TANK	
B	LID FOR OT-1250	



REV	DATE	DESCRIPTION	BY	APPD	REVD	
REVISIONS						
CUSTOMER						
TITLE		ACO JOB NO:				
1250 IG OPEN TOP TANK		PURCHASE ORDER NO:				
		PURCHASER'S EQUIP. NO:				
THIS DRAWING IS THE PROPERTY OF ROTOPLAST INC. AND SHALL NOT BE COPIED OR TRANSFERRED WITHOUT THE WRITTEN CONSENT OF ROTOPLAST INC.						
ENGINEERS SEAL		ACO CONTAINER SYSTEMS DIVISION OF ROTOPLAST INC.				
		<small>PICKERING - ONTARIO - CANADA</small>				
		ACO CONTAINER SYSTEMS DIVISION OF ROTOPLAST INC. 794 MCKAY RD. PICKERING, ONTARIO, CANADA TEL. 905-683-8222 FAX 905-683-2969		DESIGNED	WM	
				CHECKED		
				APPROVED		
				SCALE	N.T.S.	
				DATE	09-03-16	
		DWG No OT-1250-L			REV	0