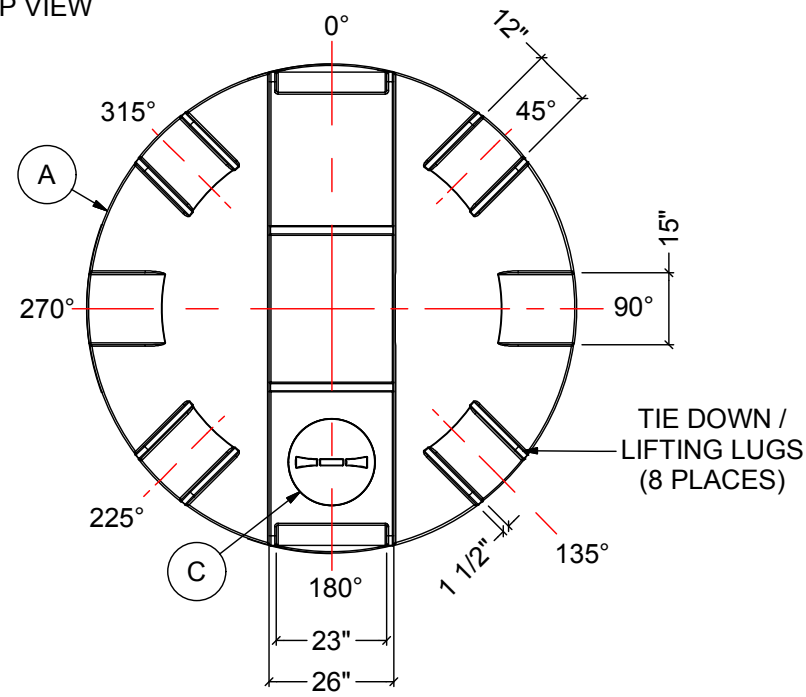


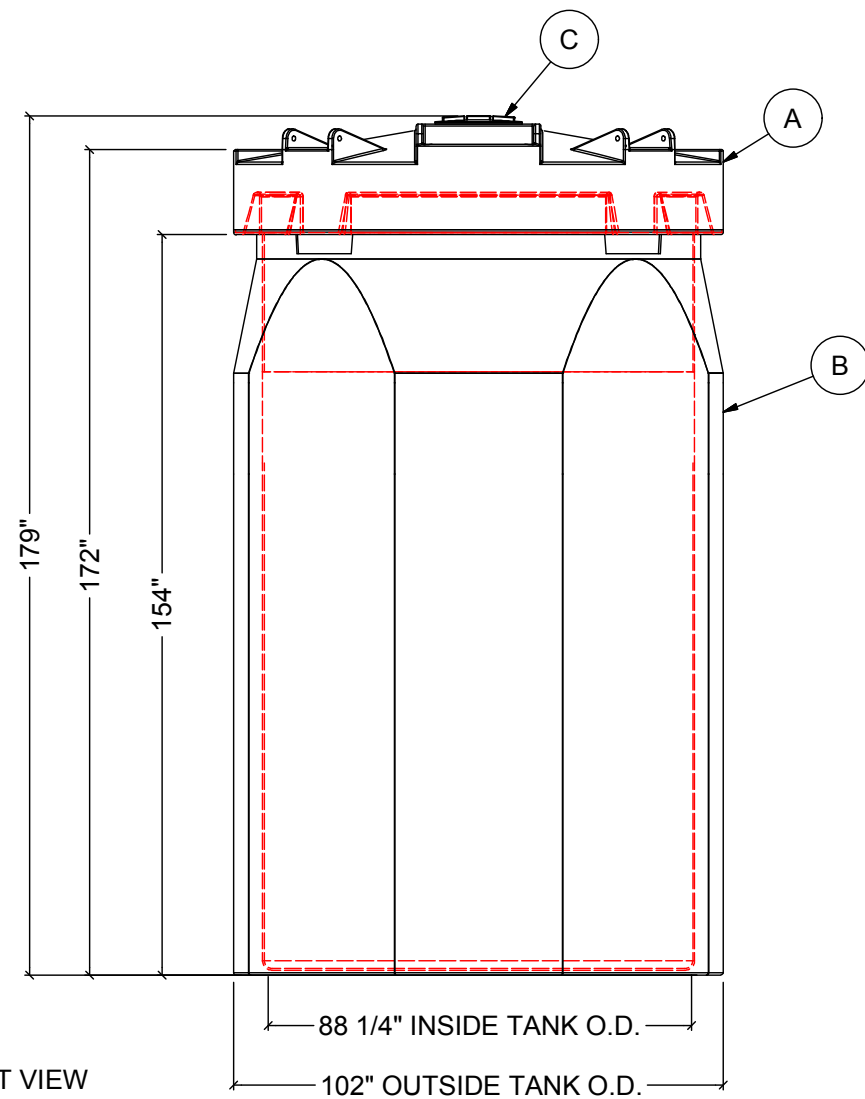
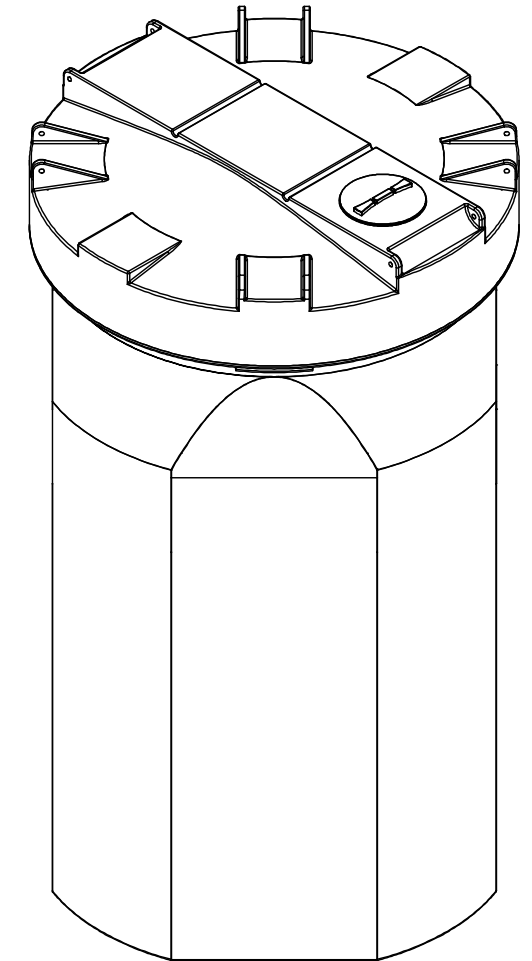
TOP VIEW



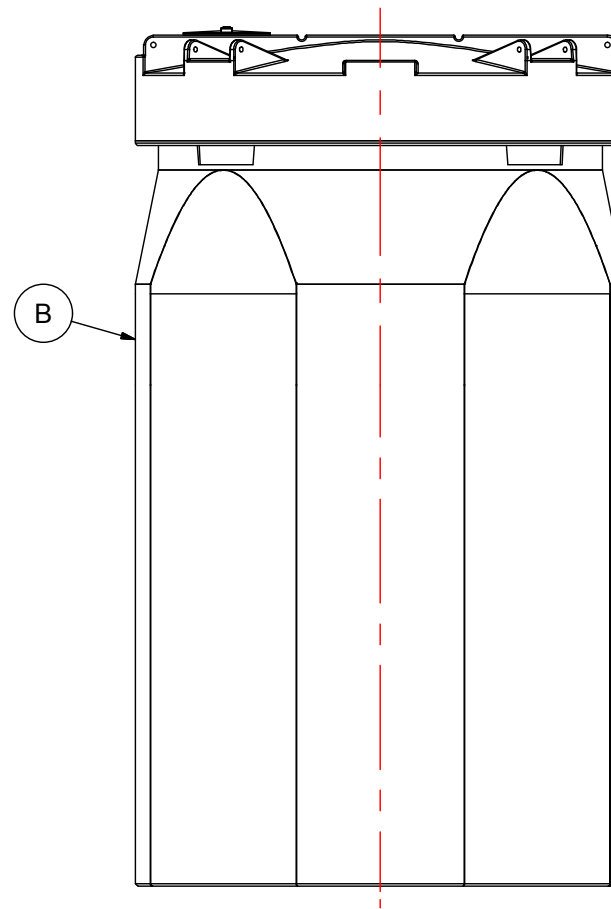
NOTES:

1. TANK IS MANUFACTURED TO ASTM-D-1998 STANDARD.
2. ALL DIMENSIONS ARE APPROXIMATE.
3. TANK CAPACITY APPROX. 15,000 L / 3,300 IG

MATERIALS LIST		
ITEMS	DESCRIPTION	NOTES
A	DCT-3302 PRIMARY TANK	
B	DCT-3302 CONTAINMENT TANK	
C	15" THREADED LID	



FRONT VIEW



SIDE VIEW

REV	DATE	DESCRIPTION	BY	APPD	REVD
REVISIONS					
CUSTOMER					
TITLE		ACO JOB NO:			
3300 IG DOUBLE WALL TANK		PURCHASE ORDER NO:			
		PURCHASER'S EQUIP. NO:			
THIS DRAWING IS THE PROPERTY OF ROTOPLAST INC. AND SHALL NOT BE COPIED OR TRANSFERRED WITHOUT THE WRITTEN CONSENT OF ROTOPLAST INC.					
ENGINEERS SEAL		ACO CONTAINER SYSTEMS DIVISION OF ROTOPLAST INC.			
<small>PICKERING - ONTARIO - CANADA</small>					
<small>ACO CONTAINER SYSTEMS DIVISION OF ROTOPLAST INC. 794 MCKAY RD. PICKERING, ONTARIO, CANADA TEL. 905-683-8222 FAX 905-683-2969</small>		<small>DESIGNED</small>	<small>DRAWN</small>	<small>CHECKED</small>	<small>APPROVED</small>
					WM
		<small>SCALE</small>	<small>DATE</small>	<small>N.T.S.</small>	<small>31-03-16</small>
<small>DWG No</small>		DCT-3302			<small>REV</small>
					0