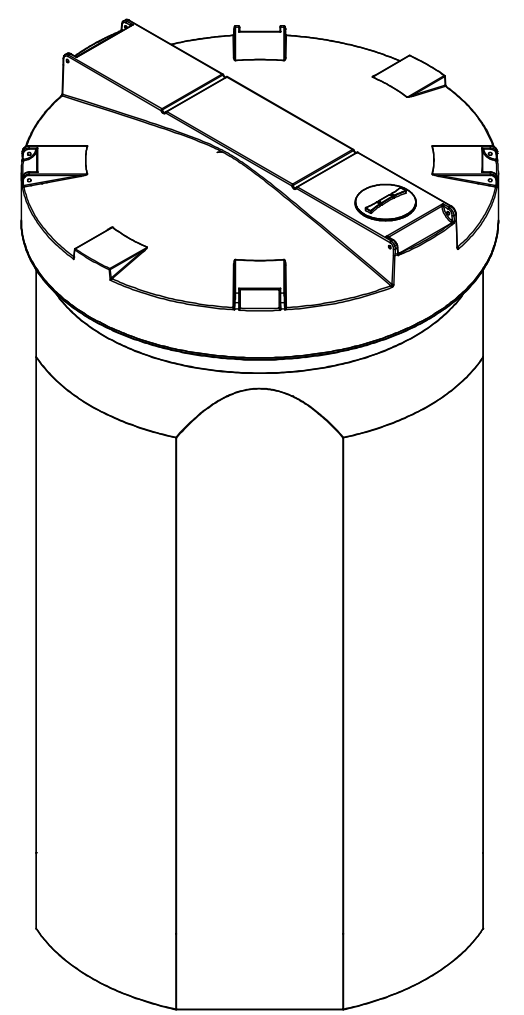
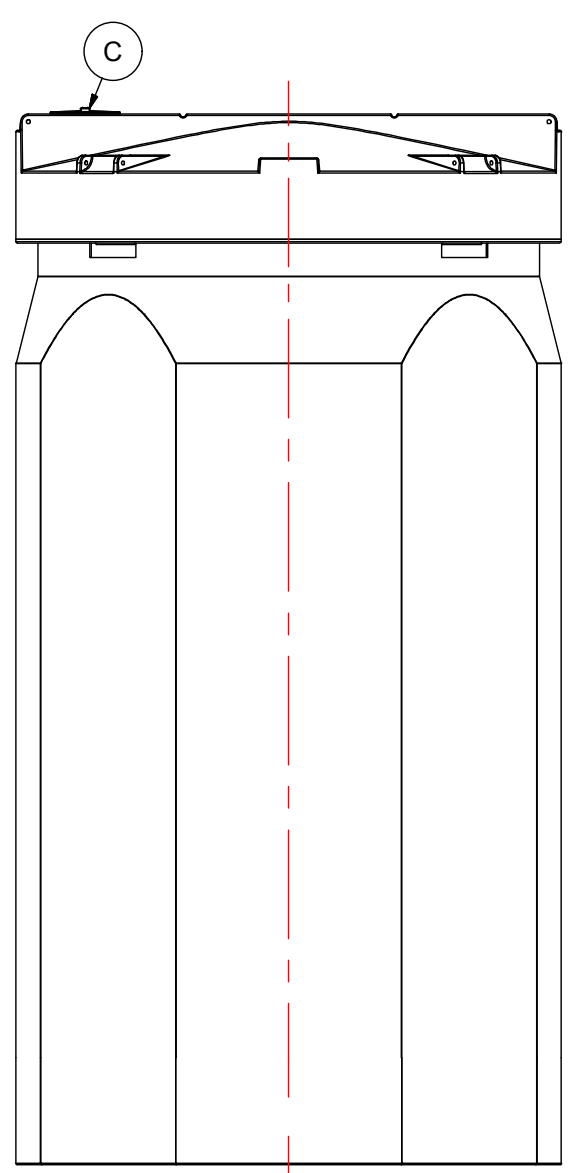
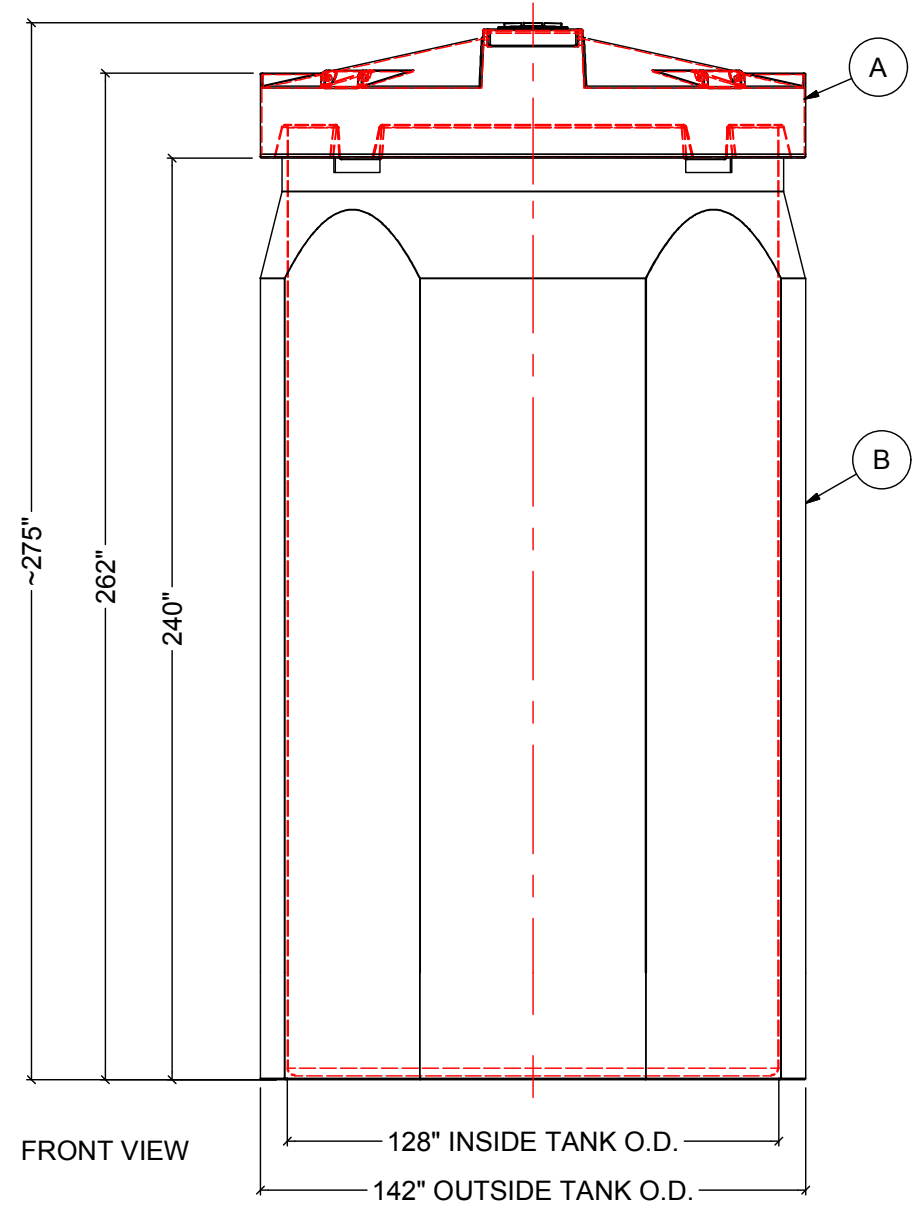


- NOTES:
1. TANK IS MANUFACTURED TO ASTM-D-1998 STANDARD.
 2. ALL DIMENSIONS ARE APPROXIMATE.
 3. TANK CAPACITY APPROX. 47,200 L / 10,400 IG

| MATERIALS LIST | | |
|----------------|----------------------------|-------|
| ITEMS | DESCRIPTION | NOTES |
| A | DCT-10440 PRIMARY TANK | |
| B | DCT-10440 CONTAINMENT TANK | |
| C | 15" THREADED LID | |



| REV | DATE | DESCRIPTION | BY | APPD | REVD |
|---|------|--|---|-----------|----------|
| REVISIONS | | | | | |
| CUSTOMER | | | | | |
| TITLE 10400 IG DOUBLE WALL TANK | | | ACO JOB NO: PURCHASE ORDER NO: PURCHASER'S EQUIP. NO: | | |
| THIS DRAWING IS THE PROPERTY OF ROTOPLAST INC. AND SHALL NOT BE COPIED OR TRANSFERRED WITHOUT THE WRITTEN CONSENT OF ROTOPLAST INC. | | | | | |
| ENGINEERS SEAL | | ACO CONTAINER SYSTEMS DIVISION OF ROTOPLAST INC. | | | |
| <small>PICKERING - ONTARIO - CANADA</small> | | | | | |
| ACO CONTAINER SYSTEMS DIVISION OF ROTOPLAST INC. 794 MCKAY RD. PICKERING, ONTARIO, CANADA TEL. 905-683-8222 FAX 905-683-2969 | | | | DESIGNED | |
| | | | | DRAWN | WM |
| | | | | CHECKED | |
| | | | | APPROVED | |
| | | | | SCALE | N.T.S. |
| | | | | DATE | 01-04-16 |
| DWG No | | | | DCT-10440 | REV 0 |

SIDE VIEW

FRONT VIEW

128" INSIDE TANK O.D.
142" OUTSIDE TANK O.D.