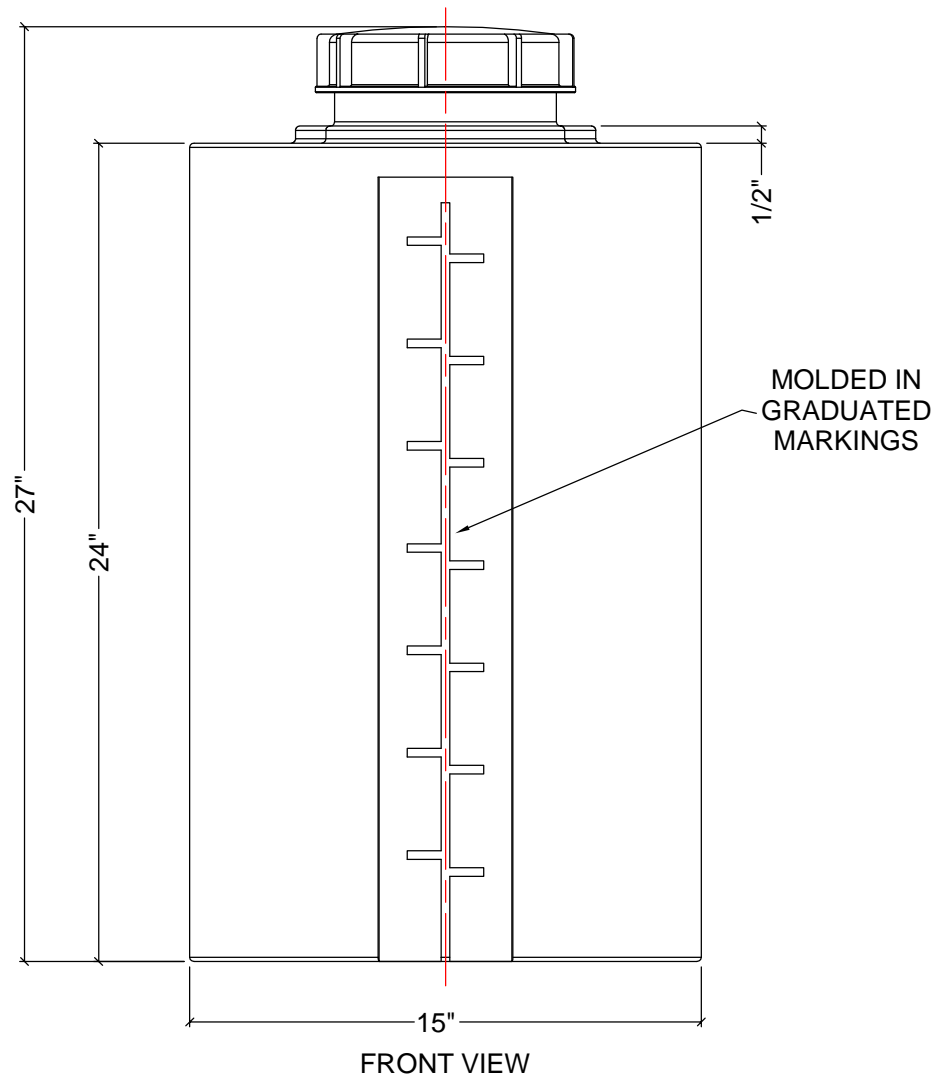
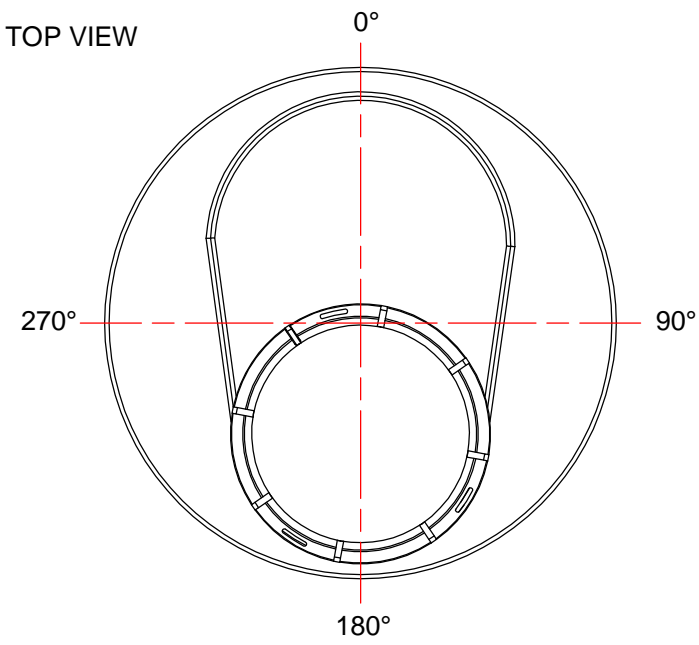


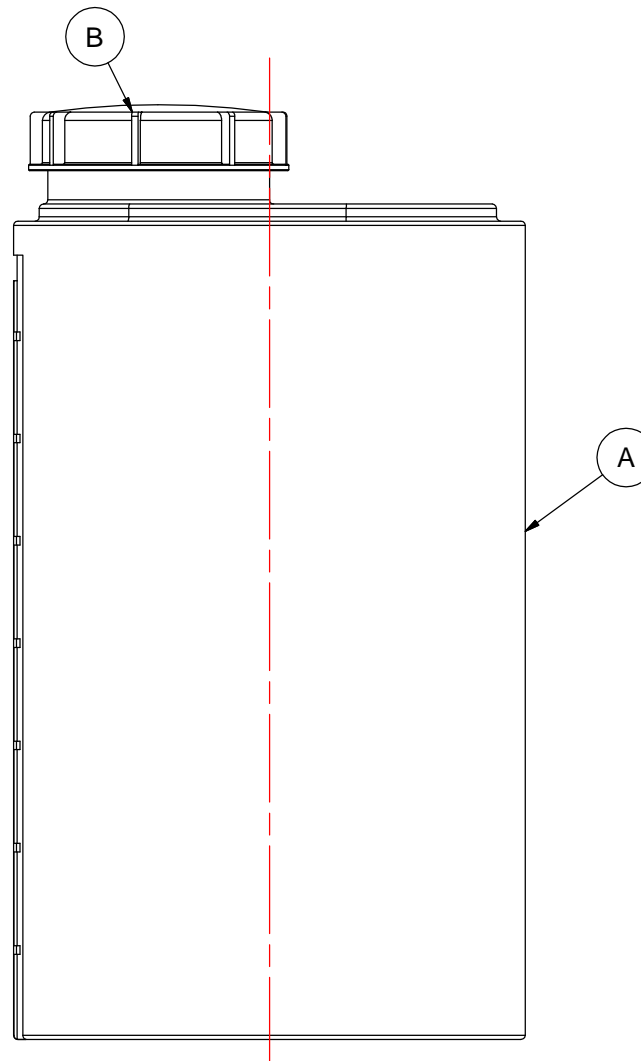
TOP VIEW



FRONT VIEW

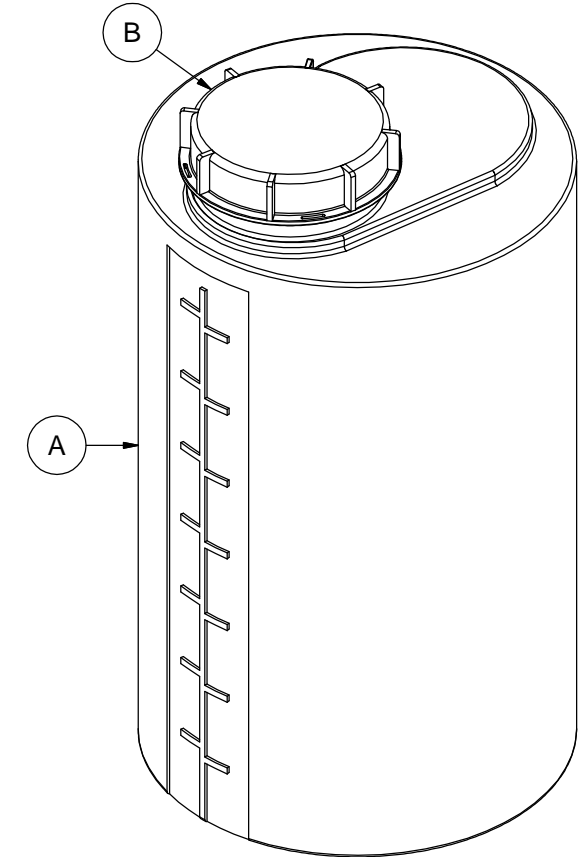
NOTES:

1. TANK IS MANUFACTURED TO ASTM-D-1998 STANDARD.
2. ALL DIMENSIONS ARE APPROXIMATE.



SIDE VIEW

MATERIALS LIST		
ITEMS	DESCRIPTION	NOTES
A	PTB-60 TOTE BARREL	
B	5 1/2" THREADED LID	



REV	DATE	DESCRIPTION	BY	APPD	REVD
1	05-07-10	ADDED GRADUATED MARKINGS	WM		

CUSTOMER

TITLE: 60 LITRE TOTE BARREL

ACO JOB NO:

PURCHASE ORDER NO:

PURCHASER'S EQUIP. NO:

THIS DRAWING IS THE PROPERTY OF ACO CONTAINER SYSTEMS LTD. AND SHALL NOT BE COPIED OR TRANSFERRED WITHOUT THE WRITTEN CONSENT OF ACO CONTAINER SYSTEMS LTD.

ENGINEERS SEAL

ACO CONTAINER SYSTEMS LTD.

PICKERING - ONTARIO - CANADA

ACO CONTAINER SYSTEMS LTD.
794 MCKAY RD.
PICKERING, ONTARIO, CANADA
L1W 2Y4
TEL. 905-683-8222
FAX 905-683-2969

DESIGNED

DRAWN WM

CHECKED

APPROVED

SCALE N.T.S.

DATE 19-05-09

DWG No PTB-60

REV 1