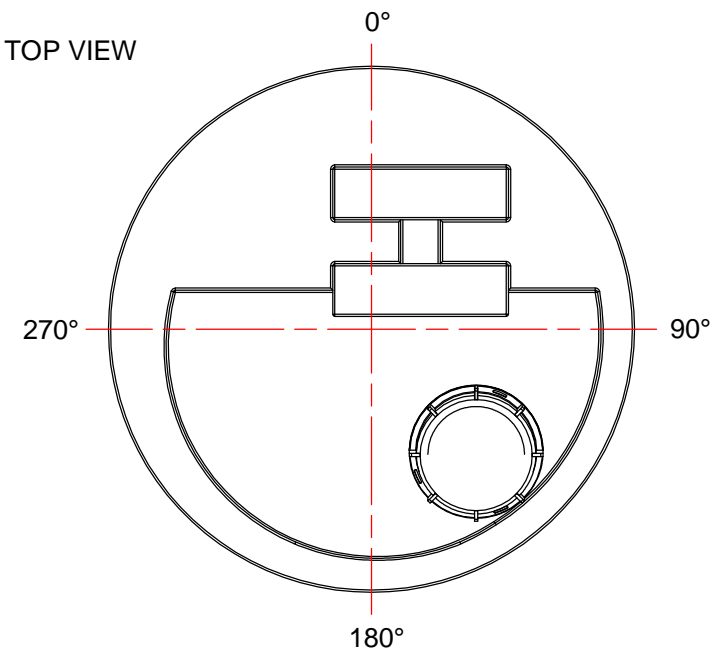


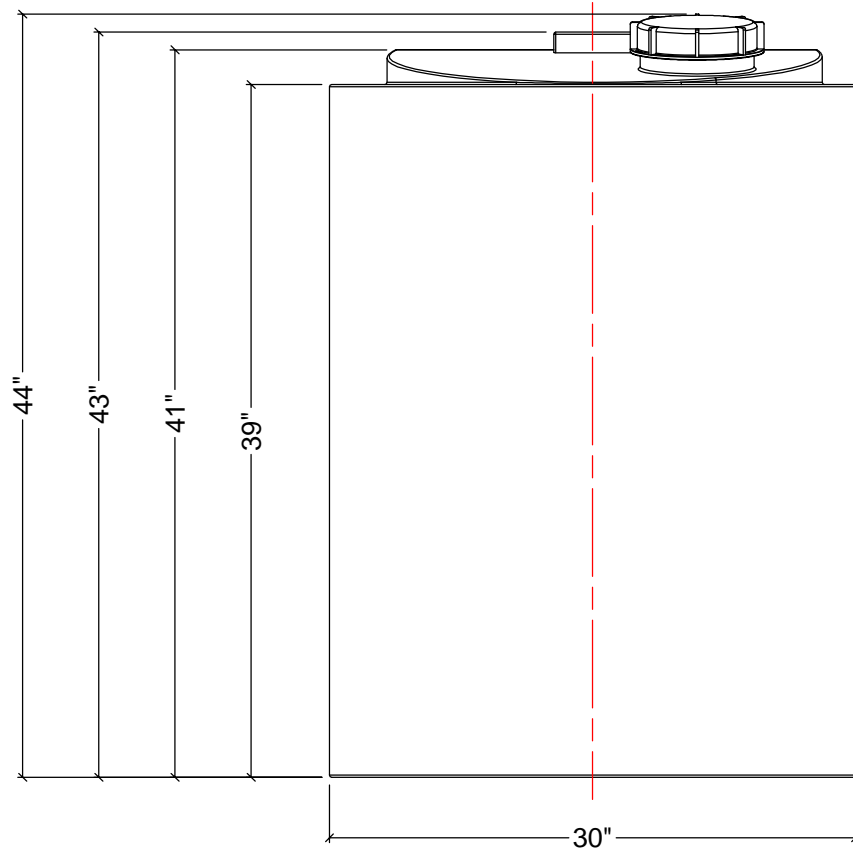
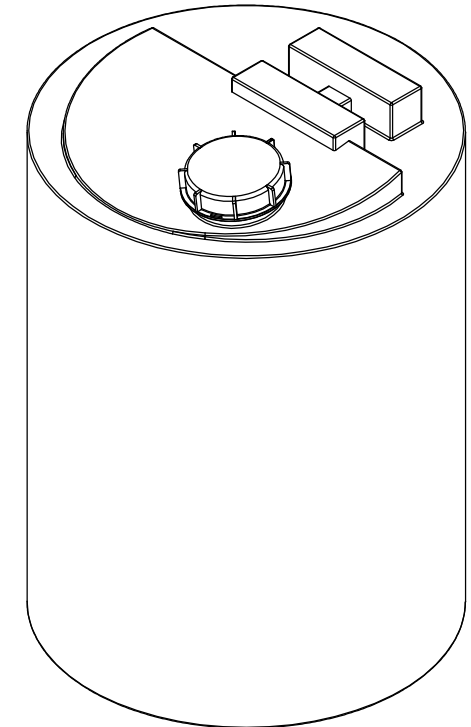
TOP VIEW



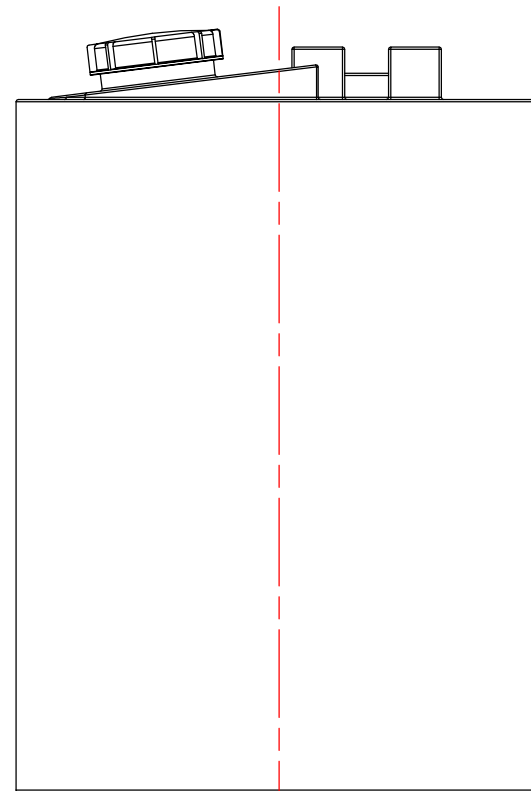
NOTES:

1. TANK IS MANUFACTURED TO ASTM-D-1998 STANDARD.
2. ALL DIMENSIONS ARE APPROXIMATE.

MATERIALS LIST		
ITEMS	DESCRIPTION	NOTES
A	PTB-400 TOTE BARREL	
B	5 1/2" THREADED LID	



FRONT VIEW



SIDE VIEW

REV	DATE	DESCRIPTION	BY	APPD	REVD	
REVISIONS						
CUSTOMER						
TITLE			ACO JOB NO:			
400 LITRE TOTE BARREL			PURCHASE ORDER NO:			
			PURCHASER'S EQUIP. NO:			
THIS DRAWING IS THE PROPERTY OF ACO CONTAINER SYSTEMS LTD. AND SHALL NOT BE COPIED OR TRANSFERRED WITHOUT THE WRITTEN CONSENT OF ACO CONTAINER SYSTEMS LTD.						
ENGINEERS SEAL		ACO CONTAINER SYSTEMS LTD.				
		<small>PICKERING - ONTARIO - CANADA</small>				
		<small>ACO CONTAINER SYSTEMS LTD.</small>		DESIGNED		
		<small>794 MCKAY RD.</small>		DRAWN	WM	
		<small>PICKERING, ONTARIO, CANADA</small>		CHECKED		
		<small>L1W 2Y4</small>		APPROVED		
		<small>TEL. 905-683-8222</small>		SCALE	N.T.S.	
		<small>FAX 905-683-2969</small>		DATE	19-05-09	
DWG No		PTB-400			REV	0