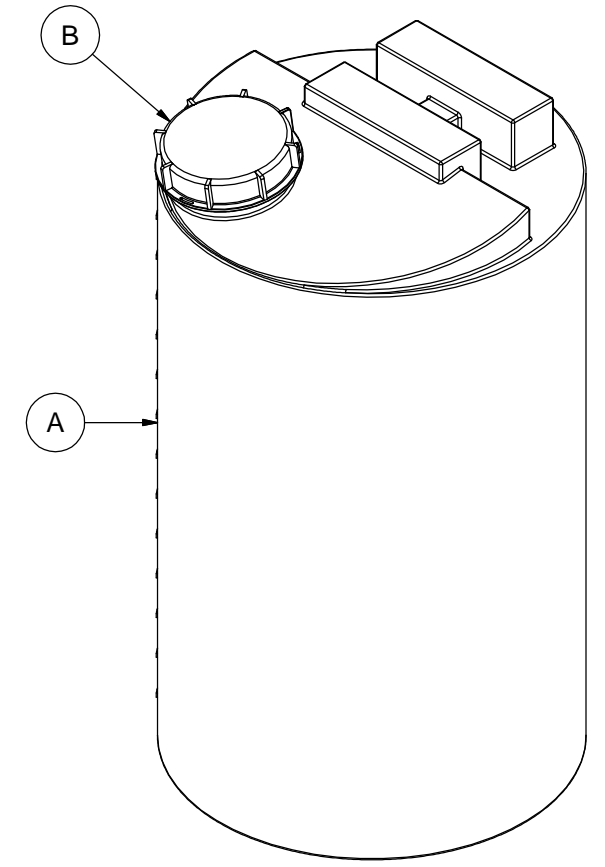
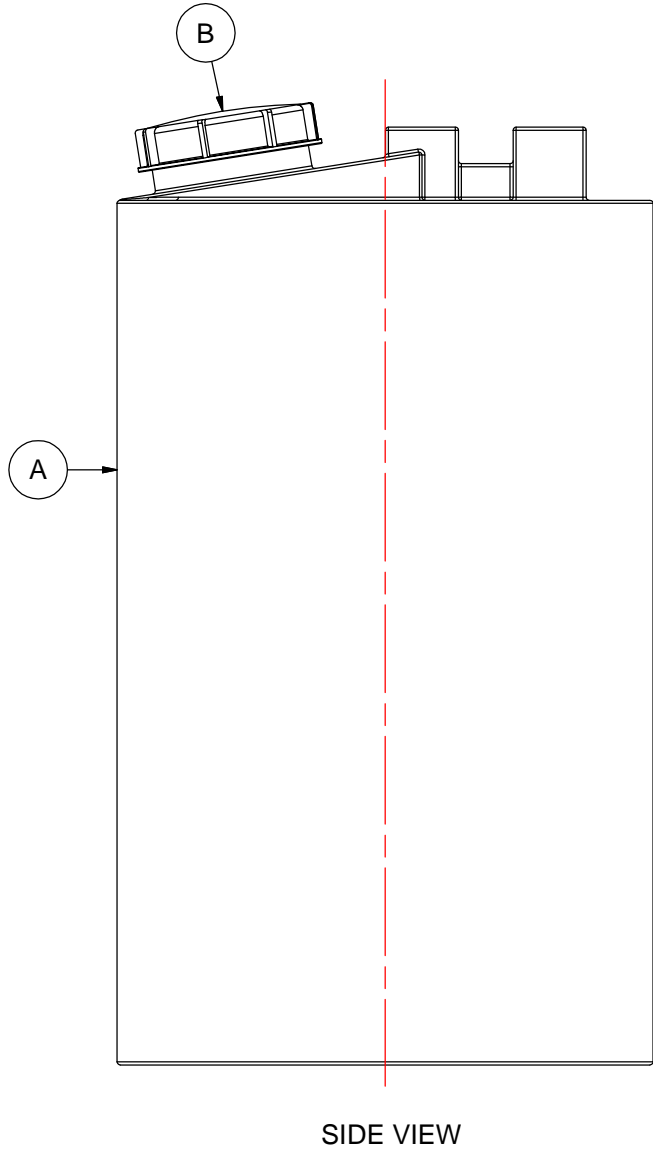
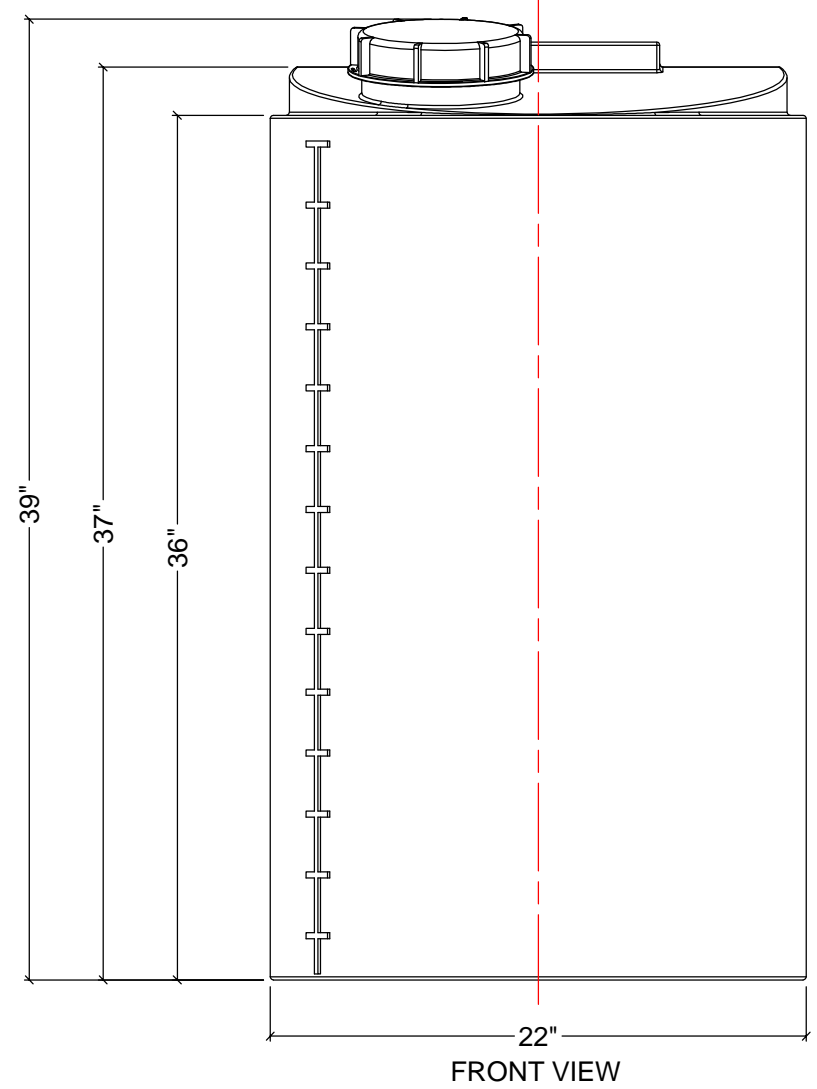


NOTES:
 1. TANK IS MANUFACTURED TO ASTM-D-1998 STANDARD.
 2. ALL DIMENSIONS ARE APPROXIMATE.

MATERIALS LIST		
ITEMS	DESCRIPTION	NOTES
A	PTB-200 TOTE BARREL	
B	5 1/2" THREADED LID	



REV	DATE	DESCRIPTION	BY	APPD	REVD
REVISIONS					
CUSTOMER					
TITLE			ACO JOB NO:		
200 LITRE TOTE BARREL			PURCHASE ORDER NO:		
			PURCHASER'S EQUIP. NO:		
THIS DRAWING IS THE PROPERTY OF ACO CONTAINER SYSTEMS LTD. AND SHALL NOT BE COPIED OR TRANSFERRED WITHOUT THE WRITTEN CONSENT OF ACO CONTAINER SYSTEMS LTD.					
ENGINEERS SEAL			ACO CONTAINER SYSTEMS LTD.		
PICKERING - ONTARIO - CANADA			DESIGNED		
ACO CONTAINER SYSTEMS LTD.			DRAWN		
794 MCKAY RD.			WM		
PICKERING, ONTARIO, CANADA			CHECKED		
L1W 2Y4			APPROVED		
TEL. 905-683-8222			SCALE		
FAX 905-683-2969			DATE		
19-05-09			N.T.S.		
DWG No			REV		
PTB-200			0		