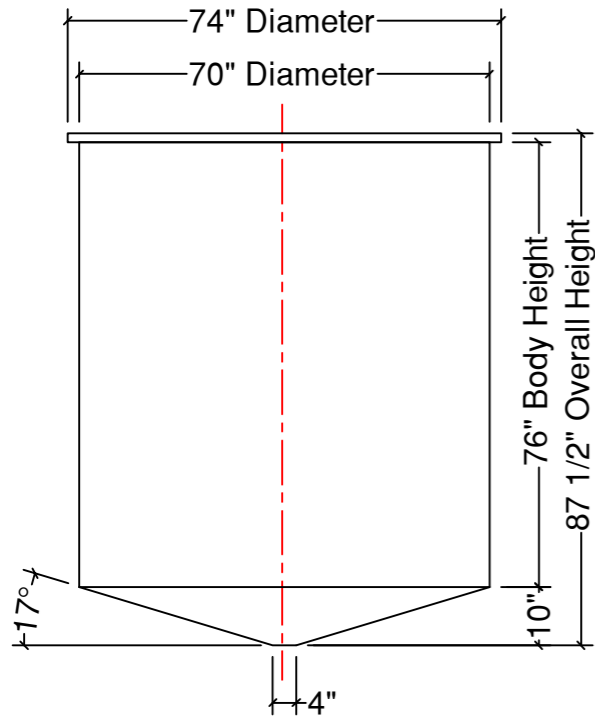
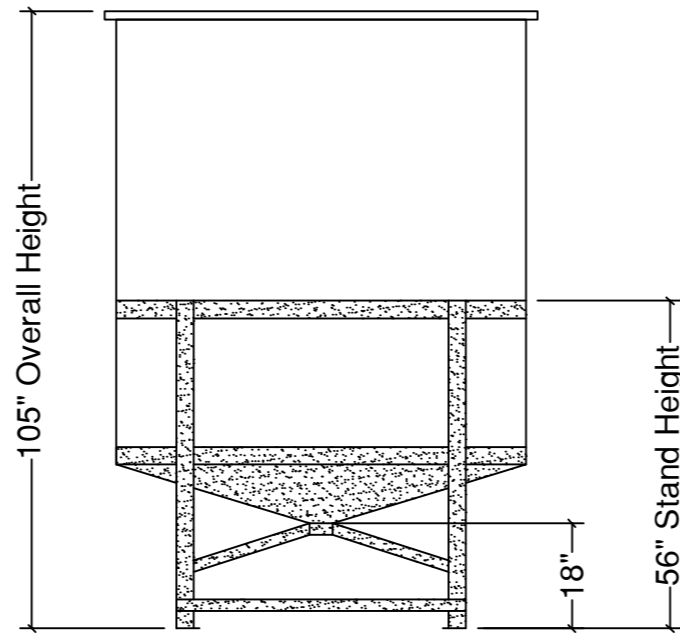


PLAN VIEW



FRONT VIEW



SIDE VIEW

NOZZLE SCHEDULE

ITEM	SIZE	DESCRIPTION	RATING

REV	DATE	DESCRIPTION	BY	APPD	REVD
REVISIONS					
CUSTOMER					
TITLE		ACO JOB NO:	-		
		PURCHASE ORDER NO:	-		
		PURCHASER'S EQUIP. NO:	-		

THIS DRAWING IS THE PROPERTY OF ACO CONTAINER SYSTEMS LTD. AND SHALL NOT BE COPIED OR TRANSFERRED WITHOUT THE WRITTEN CONSENT OF ACO CONTAINER SYSTEMS LTD.

ENGINEERS SEAL	<b>ACO CONTAINER SYSTEMS LTD.</b>	
	<small>PICKERING - ONTARIO - CANADA</small>	
ACO CONTAINER SYSTEMS LTD. 794 MCKAY RD. PICKERING, ONTARIO, CANADA L1W 2Y4 TEL. 905-683-8222 FAX 905-683-2969	DESIGNED	S.A.
	DRAWN	D.G.
	CHECKED	
	APPROVED	
	SCALE	N.T.S.
DATE	06-05-07	
DWG No	<b>CBO-1000</b>	
	REV	<b>0</b>