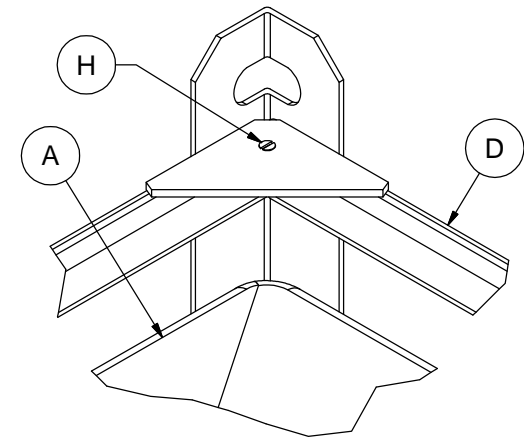


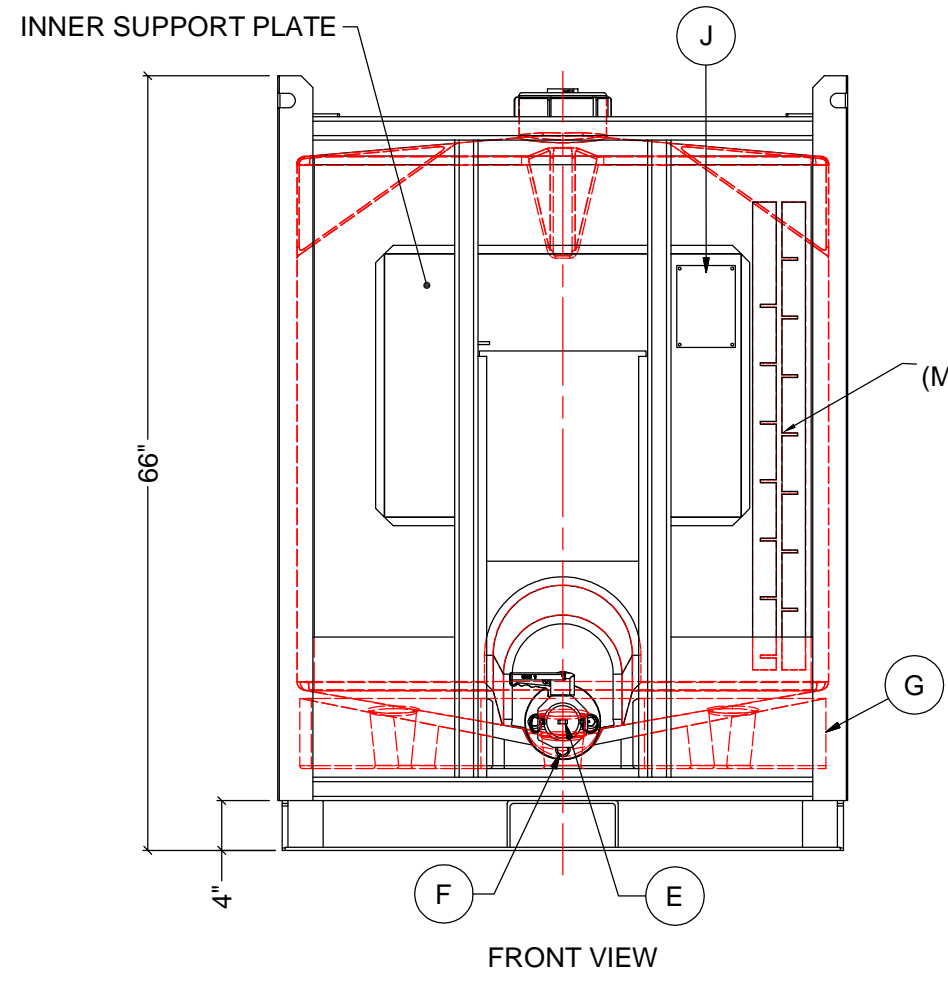
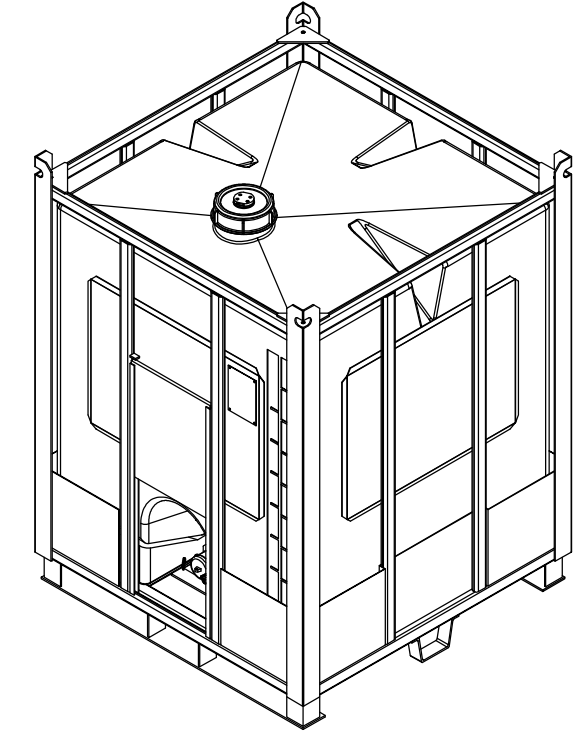
NOTES:

1. CAPACITY: 330 IMP GAL (1500 L)
2. TARE WEIGHT: 850 LBS (386 KG)
3. PRIMARY MARKINGS: U.N. 31HA1/Y/

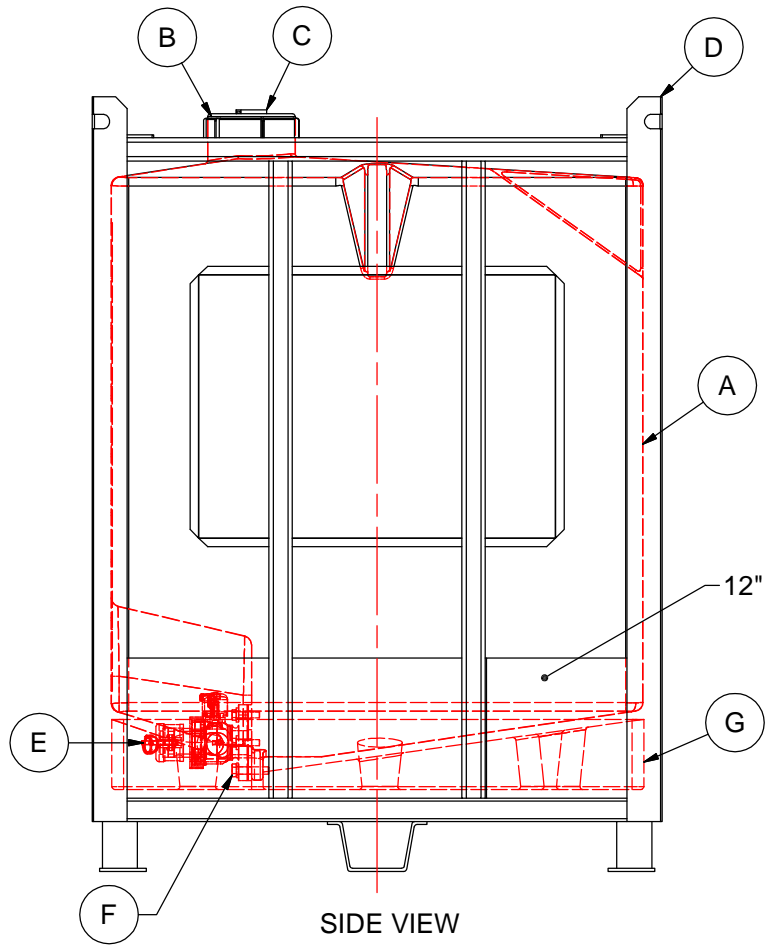
STACKING BRACKET DETAIL (H)



MATERIALS LIST		
ITEM	DESCRIPTION	NOTES
A	PTC-330 HDPE BOTTLE	
B	6" ORANGE HDPE THREADED LID WITH GASKET (EPDM OR VITON) AND TIE DOWN	
C	2" COMBI-VENT - VACUUM AND PRESSURE RELIEF (OPTIONAL)	IN LID
D	STEEL FRAME WITH 12" KICK PLATES AND VALVE PROTECTION GATE	
E	2" BALL VALVE (POLYPRO OR STAINLESS STEEL) WITH GASKET (EPDM OR VITON)	FNPT OR CAMLOC
F	VALVE MOUNTING HARDWARE KIT	
G	BLACK POLY FRAME PILLOW	
H	FRAME CORNER STACKING BRACKET WITH SCREW	4 PLACES
J	ALUMINUM U.N. FRAME TAG	



GRADUATIONS (MOLDED IN BOTTLE)



12" KICK PLATES

REV	DATE	DESCRIPTION	BY	APPD	REVD
REVISIONS					
CUSTOMER					
TITLE PTC-330 WITH 12" KICK PLATES			ACO JOB NO: PURCHASE ORDER NO: PURCHASER'S EQUIP. NO:		
THIS DRAWING IS THE PROPERTY OF ACO CONTAINER SYSTEMS LTD. AND SHALL NOT BE COPIED OR TRANSFERRED WITHOUT THE WRITTEN CONSENT OF ACO CONTAINER SYSTEMS LTD.					
ENGINEERS SEAL			<p align="center">ACO CONTAINER SYSTEMS LTD.</p> <p align="center">PICKERING - ONTARIO - CANADA</p> <p>ACO CONTAINER SYSTEMS LTD. 794 MCKAY RD. PICKERING, ONTARIO, CANADA L1W 2Y4 TEL. 905-683-8222 FAX 905-683-2969</p>		
<p>DESIGNED</p> <p>DRAWN</p> <p>CHECKED</p> <p>APPROVED</p> <p>SCALE</p> <p>DATE</p>					
DWG No			PTC-330		REV 0