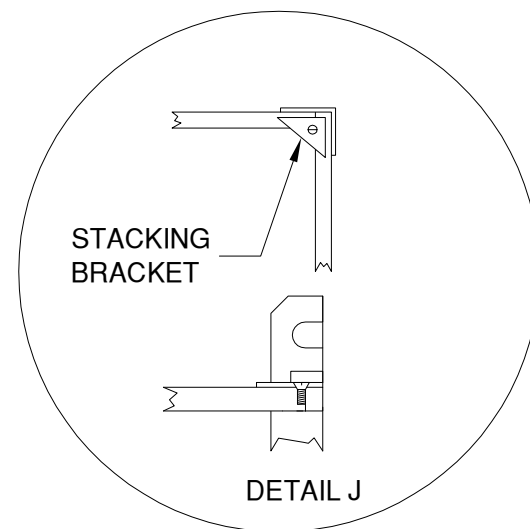
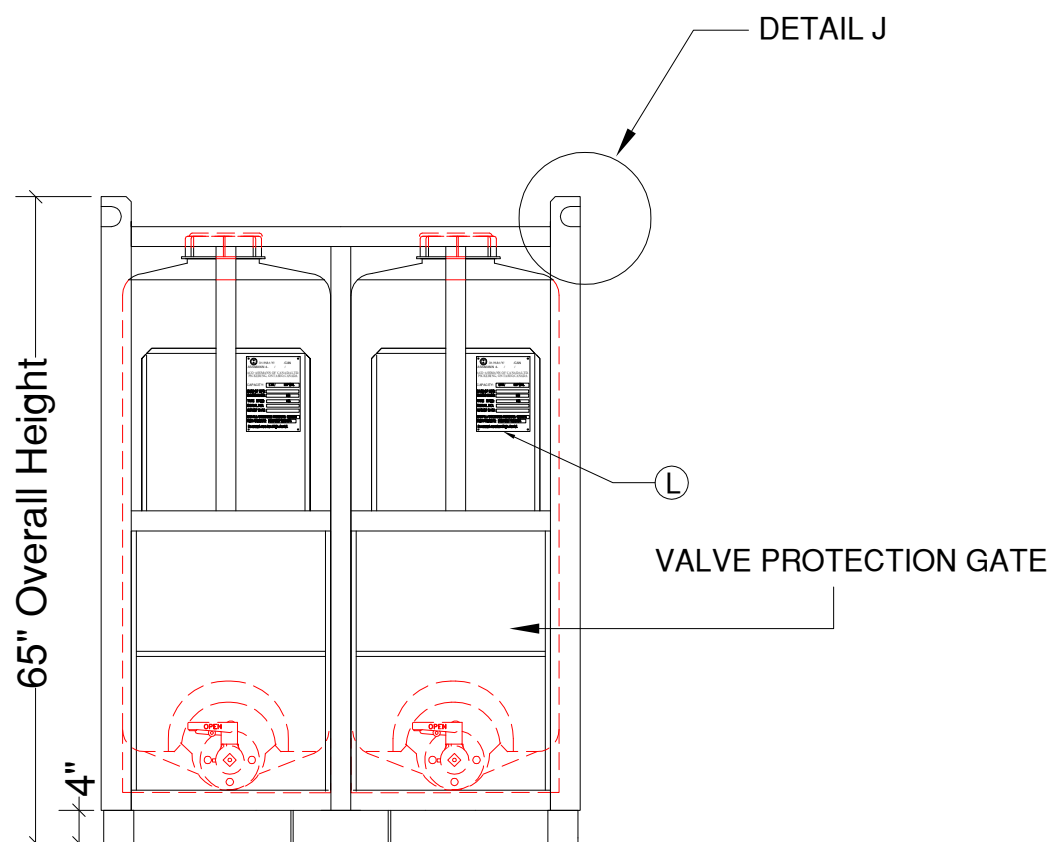


FRONT SIDE

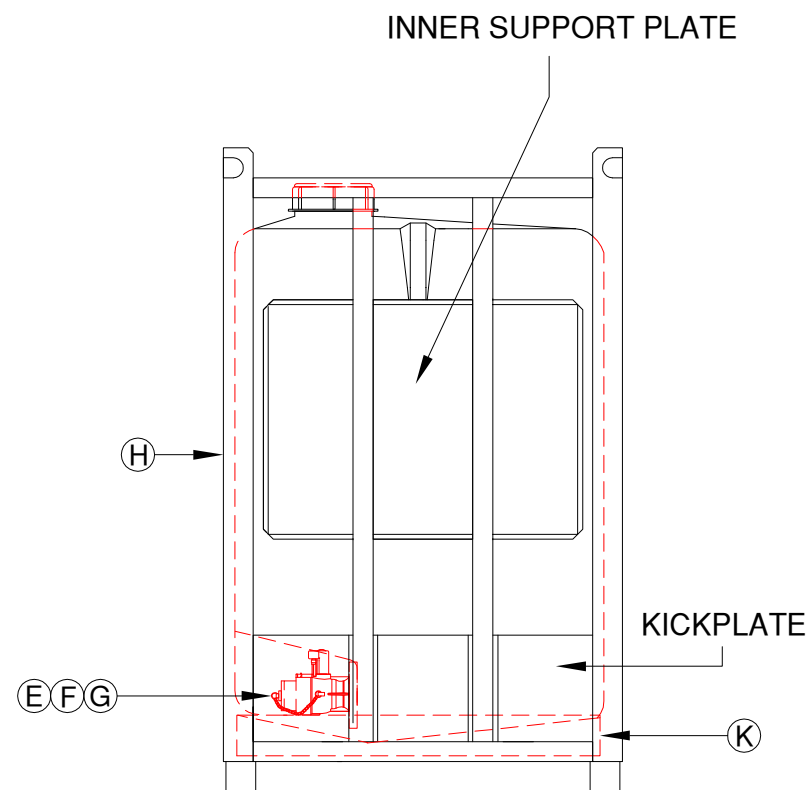
PLAN VIEW



DETAIL J



FRONT VIEW



SIDE VIEW

MATERIALS LIST

ITEM	SIZE	DESCRIPTION	NOTES
A		135 IG (615 L) POLYETHYLENE BOTTLE	
B	6"	ORANGE HDPE THREADED LID W/ TIE-DOWN	
C		LID GASKET	EPDM OR VITON
D		VENT - VACUUM & PRESSURE RELIEF (OPTIONAL)	IN LID
E	2"	FLANGE GASKET	EPDM OR VITON
F	2"	BALL VALVE; POLYPROPYLENE OR 316-SS	FNPT OR CAMLOC
G		VALVE MOUNTING HARDWARE KIT	
H		STEEL FRAME WITH 12" KICKPLATES AND VALVE PROTECTION GATE	
J		FRAME CORNER STACKING BRACKET W/ SCREW	4 PCS REQUIRED
K		BLACK POLY FRAME PILLOW	
L		AMULINUM U.N. FRAME TAG	

- TECHNICAL DATA:
 1. CAPACITY: 135 IMP GAL, 615 L
 2. WEIGHT: 695 LBS, 315 KG
 3. PRIMARY MARKINGS: 31HA1/Y/

REV	DATE	DESCRIPTION	BY	APPD	REVD
REVISIONS					

CUSTOMER _____

TITLE _____

ACO JOB NO: _____

PURCHASE ORDER NO: _____

PURCHASER'S EQUIP. NO: _____

THIS DRAWING IS THE PROPERTY OF ACO CONTAINER SYSTEMS LTD. AND SHALL NOT BE COPIED OR TRANSFERRED WITHOUT THE WRITTEN CONSENT OF ACO CONTAINER SYSTEMS LTD.

ENGINEERS SEAL _____

ACO CONTAINER SYSTEMS LTD.

PICKERING - ONTARIO - CANADA

ACO CONTAINER SYSTEMS LTD. 794 MCKAY RD. PICKERING, ONTARIO, CANADA L1W 2Y4 TEL. 905-683-8222 FAX 905-683-2969	DESIGNED _____ S.A. DRAWN _____ D.G. CHECKED _____ APPROVED _____ SCALE _____ N.T.S. DATE _____ 04-09-07
---	---

DWG No **PTC-2-135** REV **0**