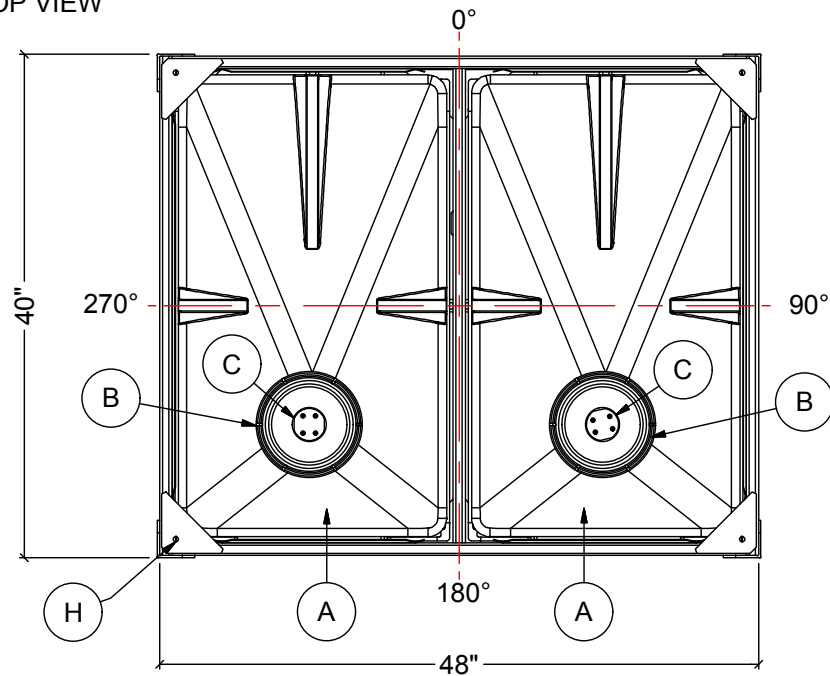


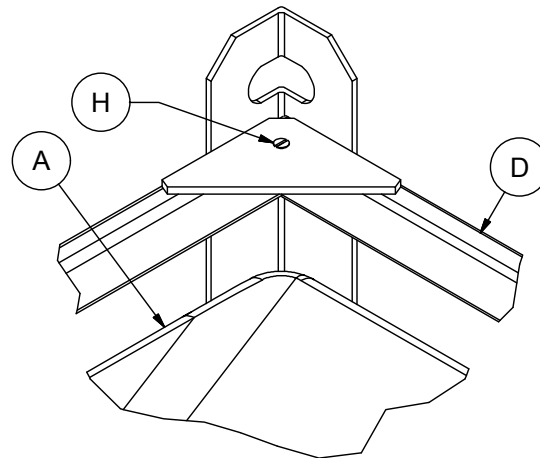
TOP VIEW



NOTES:

1. CAPACITY PER TANK: 630 L (138 IG / 166 USG)
2. TARE WEIGHT: 695 LBS (315 KG)
3. PRIMARY MARKINGS: U.N. 31HA1/Y/

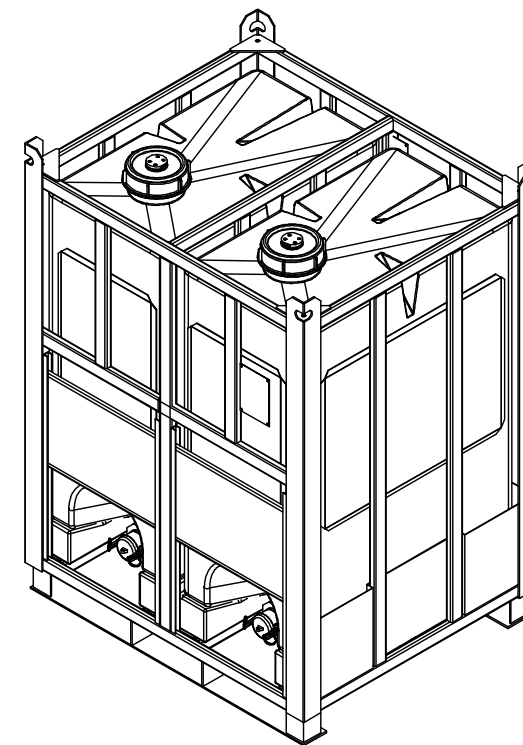
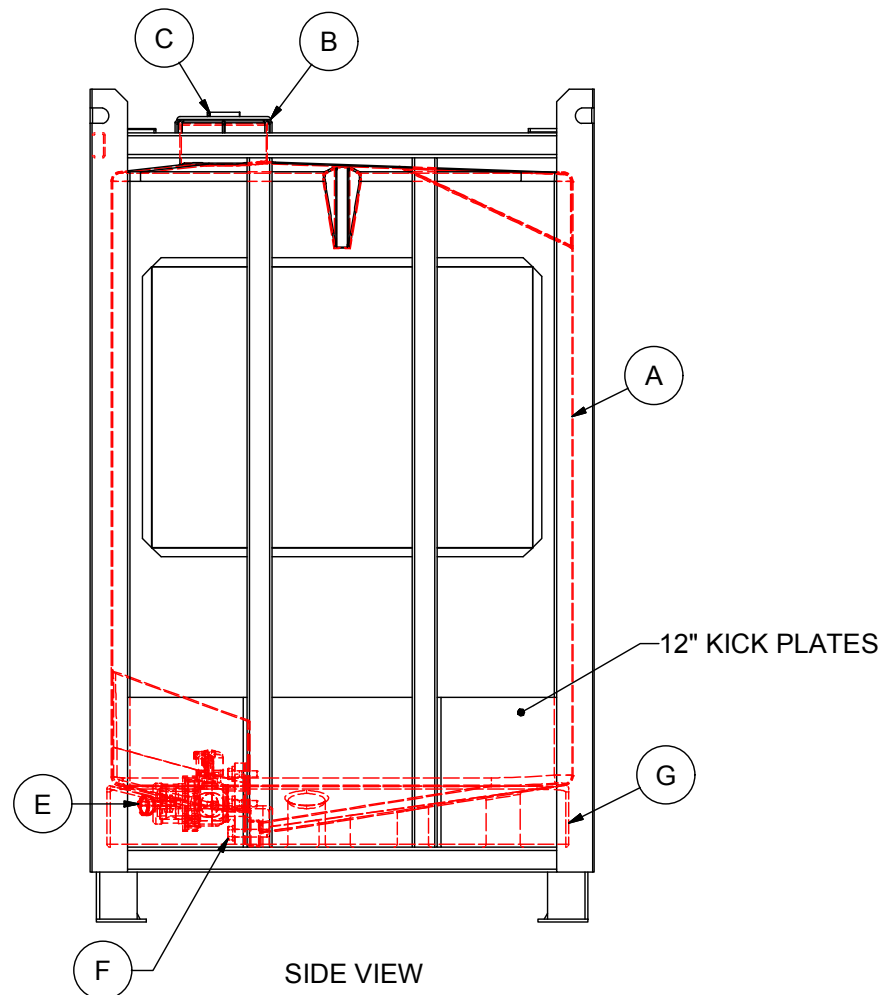
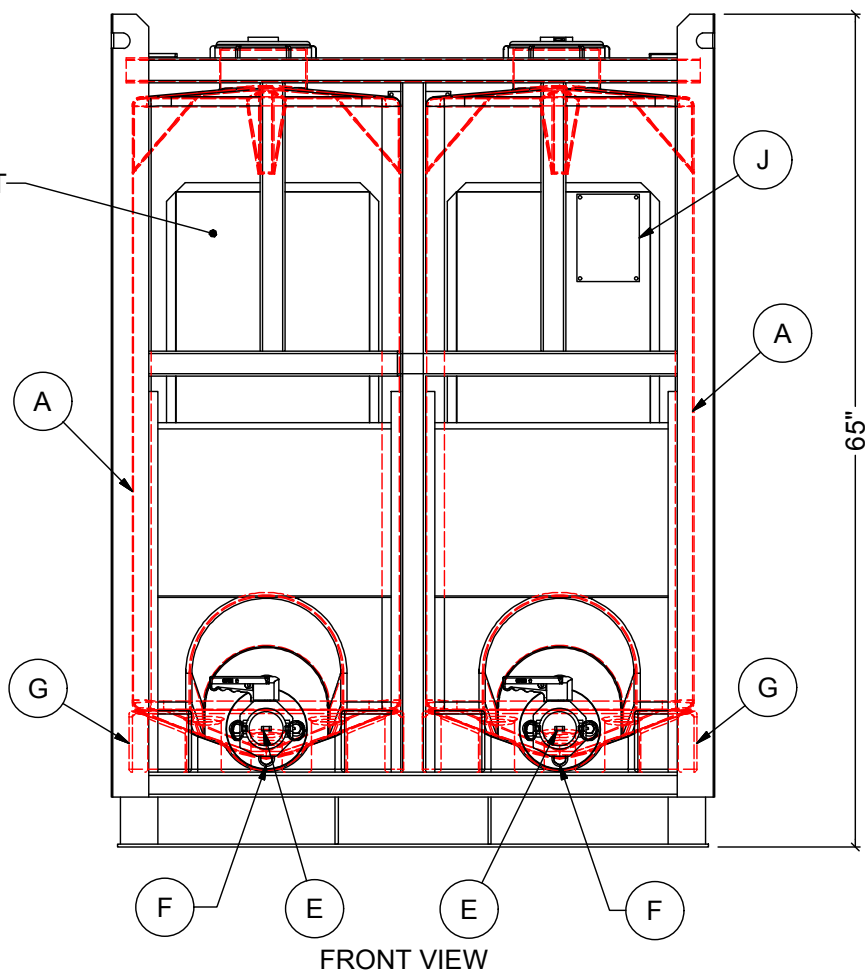
STACKING BRACKET DETAIL (H)



MATERIALS LIST

| ITEM | ITEM QTY | DESCRIPTION | NOTES |
|------|----------|--|----------------|
| A | 2 | PTC-135 HDPE BOTTLE | |
| B | 2 | 6" HDPE THREADED LID WITH GASKET (EPDM OR VITON) AND TIE DOWN | |
| C | 2 | 2" COMBI-VENT - VACUUM AND PRESSURE RELIEF (OPTIONAL) | IN LID |
| D | 1 | STEEL FRAME WITH 12" KICK PLATES AND VALVE PROTECTION GATES | |
| E | 2 | 2" BALL VALVE (POLYPRO OR STAINLESS STEEL) WITH GASKET (EPDM OR VITON) | FNPT OR CAMLOC |
| F | 2 | VALVE MOUNTING HARDWARE KIT | |
| G | 2 | BLACK POLY FRAME PILLOW | |
| H | 4 | FRAME CORNER STACKING BRACKET WITH SCREW | |
| J | 1 | ALUMINUM U.N. FRAME TAG | |


INNER SUPPORT PLATE



| REV | DATE | DESCRIPTION | BY | APPD | REVD |
|-----|------------|-------------------------------|----|------|------|
| 1 | 2018-07-11 | UPDATED VOLUME AND DIMENSIONS | WM | | |

| | |
|---------------------------------|-------------|
| CUSTOMER | |
| TITLE | ACO JOB NO: |
| PTC-2-135 PALLET TANK W/ TWO | PO#: |
| 135 IG TANKS IN ONE STEEL FRAME | EQUIP. NO: |

THIS DRAWING IS THE PROPERTY OF ROTOPLAST INC. AND SHALL NOT BE COPIED OR TRANSFERRED WITHOUT THE WRITTEN CONSENT OF ROTOPLAST INC.



ACO CONTAINER SYSTEMS
DIVISION OF ROTOPLAST INC.
794 MCKAY ROAD
PICKERING, ONTARIO, CANADA
TEL: 905-683-8222
WEB: ACOTAINERS.COM

| | |
|----------|----------|
| DESIGNED | WM |
| DRAWN | |
| CHECKED | |
| APPROVED | |
| SCALE | N.T.S. |
| DATE | 04-04-16 |

DWG No PTC-2-135 REV 1