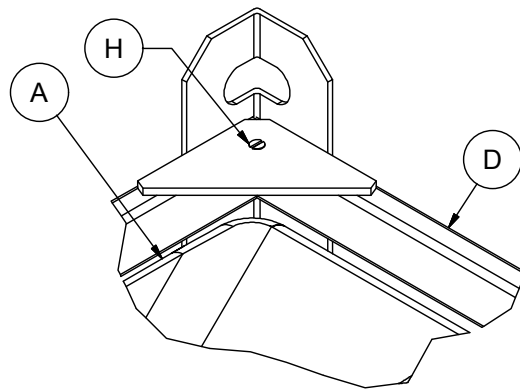


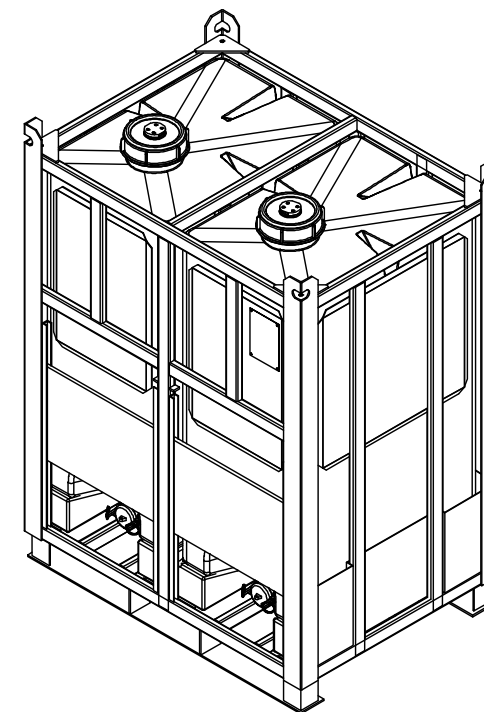
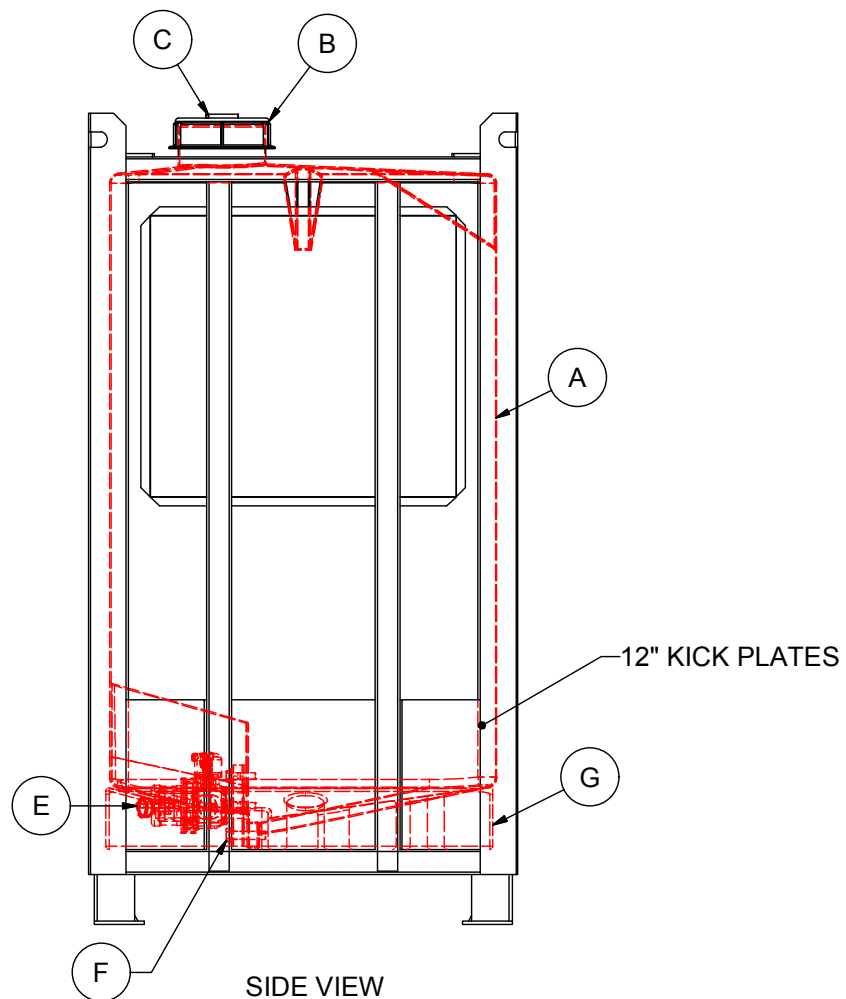
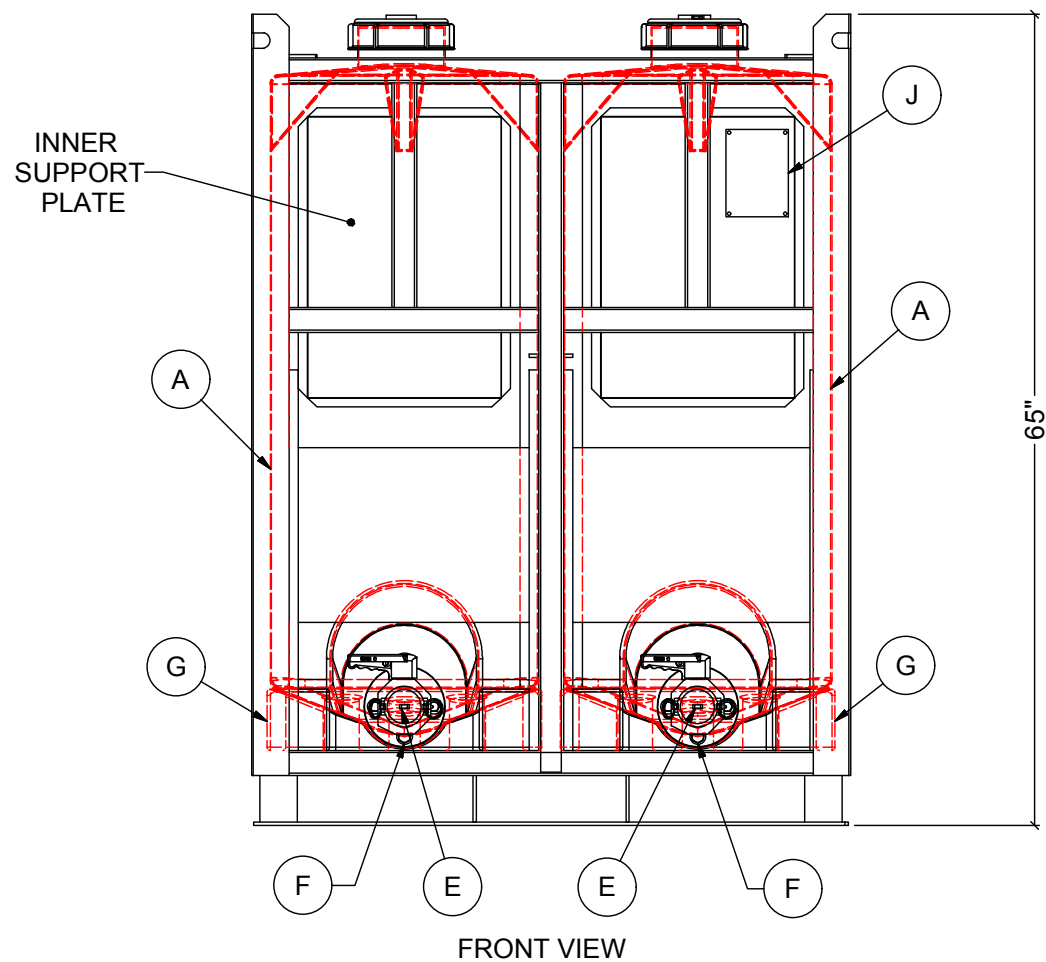
NOTES:

1. CAPACITY PER TANK: 500 L (110 IG / 132 USG)
2. TARE WEIGHT: 620 LBS (305 KG)
3. PRIMARY MARKINGS: U.N. 31HA1/Y/

STACKING BRACKET DETAIL (H)




| MATERIALS LIST |          |  |                |
|----------------|----------|--|----------------|
| ITEM           | ITEM QTY | DESCRIPTION  | NOTES          |
| A              | 2        | PTC-110 HDPE BOTTLE  |                |
| B              | 2        | 6" HDPE THREADED LID WITH GASKET (EPDM OR VITON) AND TIE DOWN          |                |
| C              | 2        | 2" COMBI-VENT - VACUUM AND PRESSURE RELIEF (OPTIONAL)                  | IN LID         |
| D              | 1        | STEEL FRAME WITH 12" KICK PLATES AND VALVE PROTECTION GATES            |                |
| E              | 2        | 2" BALL VALVE (POLYPRO OR STAINLESS STEEL) WITH GASKET (EPDM OR VITON) | FNPT OR CAMLOC |
| F              | 2        | VALVE MOUNTING HARDWARE KIT  |                |
| G              | 2        | BLACK POLY FRAME PILLOW  |                |
| H              | 4        | FRAME CORNER STACKING BRACKET WITH SCREW                               |                |
| J              | 1        | ALUMINUM U.N. FRAME TAG  |                |



| REV | DATE       | DESCRIPTION                   | BY | APPD | REVD |
|-----|------------|-------------------------------|----|------|------|
| 1   | 2018-07-16 | UPDATED VOLUME AND DIMENSIONS | WM |      |      |

|                                 |             |
|---------------------------------|-------------|
| CUSTOMER                        |             |
| TITLE                           | ACO JOB NO: |
| PTC-2-110 PALLET TANK W/ TWO    | PO#:        |
| 110 IG TANKS IN ONE STEEL FRAME | EQUIP. NO:  |

THIS DRAWING IS THE PROPERTY OF ROTOPLAST INC. AND SHALL NOT BE COPIED OR TRANSFERRED WITHOUT THE WRITTEN CONSENT OF ROTOPLAST INC.



ACO CONTAINER SYSTEMS  
DIVISION OF ROTOPLAST INC.  
794 MCKAY ROAD  
PICKERING, ONTARIO, CANADA  
TEL: 905-683-8222  
WEB: ACOTAINERS.COM

|          |          |
|----------|----------|
| DESIGNED | WM       |
| DRAWN    |          |
| CHECKED  |          |
| APPROVED |          |
| SCALE    | N.T.S.   |
| DATE     | 04-04-16 |

DWG No PTC-2-110 REV 1