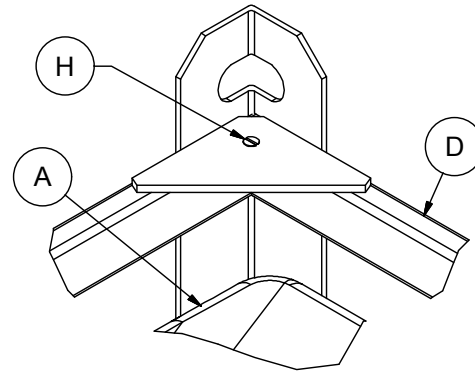


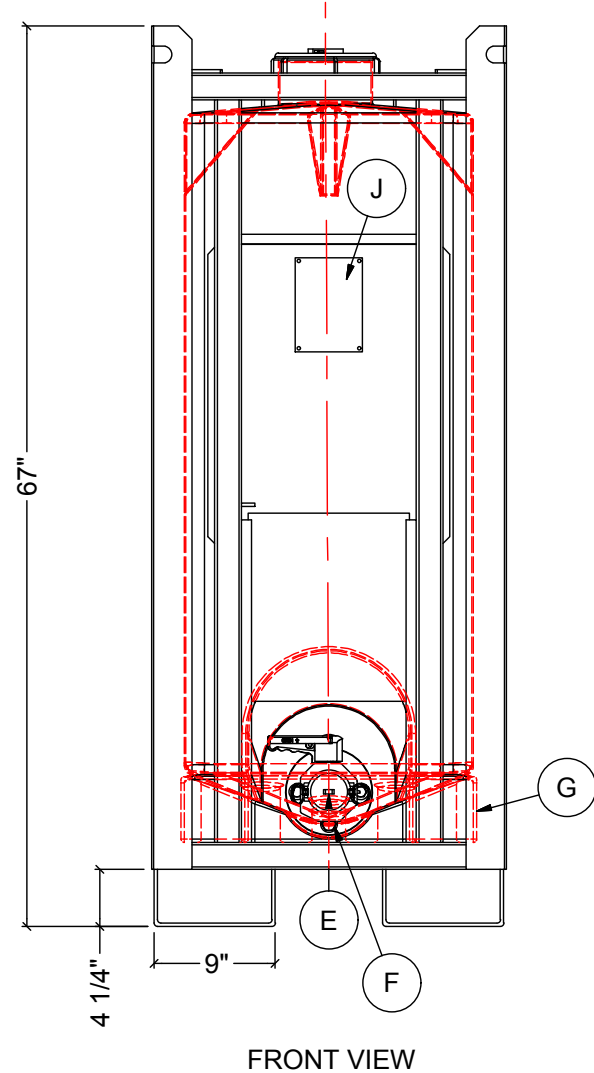
NOTES:

1. CAPACITY: 614 L (135 IG / 162 USG)
2. TARE WEIGHT: 472 LBS (214 KG)
3. PRIMARY MARKINGS: U.N. 31HA1/Y/

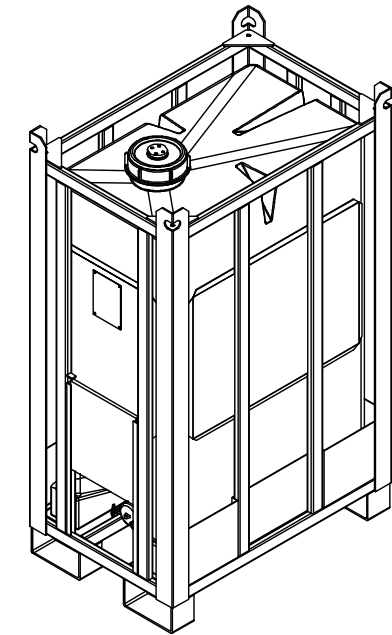
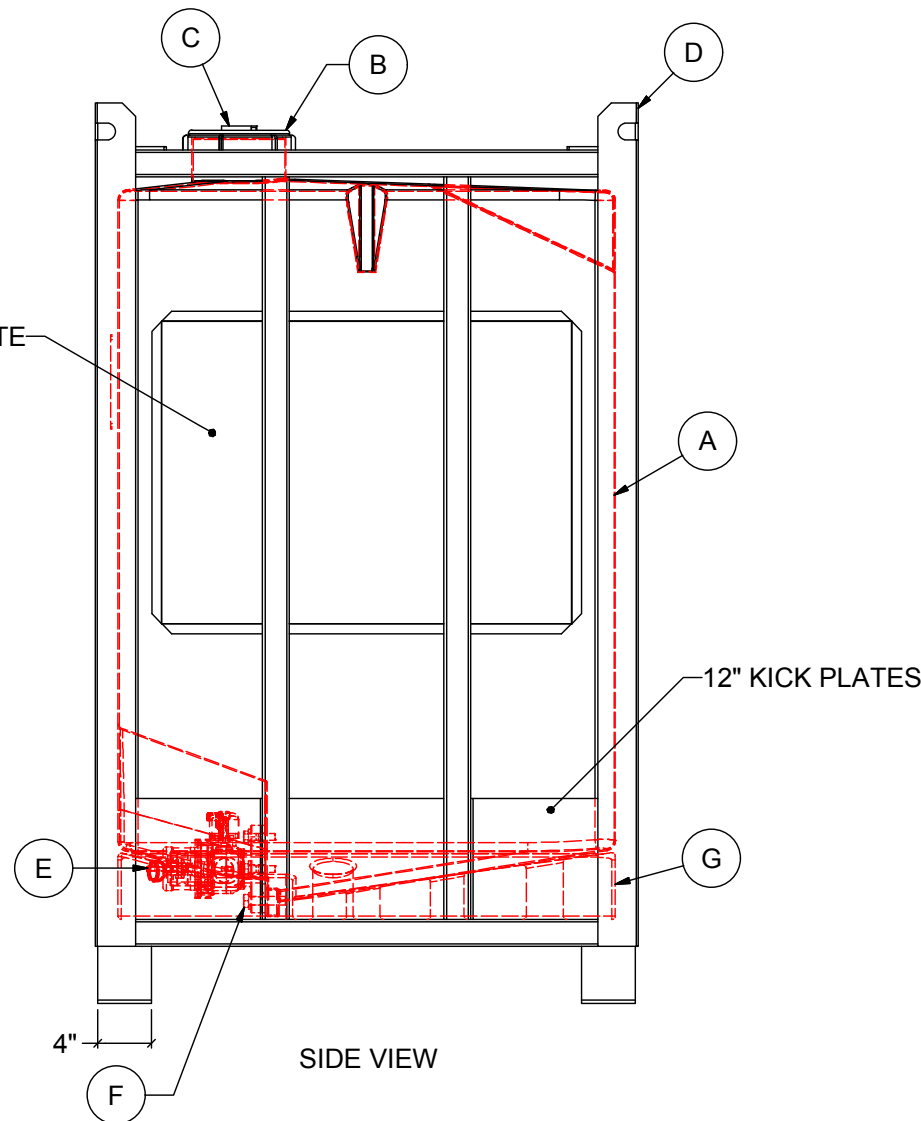
STACKING BRACKET DETAIL (G)




MATERIALS LIST		
ITEMS	DESCRIPTION	NOTES
A	PTC-135 NARROW PROFILE HDPE BOTTLE	
B	6" HDPE THREADED LID WITH GASKET (EPDM OR VITON) AND TIE DOWN	
C	2" COMBI-VENT - VACUUM AND PRESSURE RELEIF (OPTIONAL)	4 PLACES
D	STEEL FRAME WITH 12" KICK PLATES AND VALVE PROTECTION GATE	
E	2" BALL VALVE (POLYPRO OR STAINLESS STEEL) WITH GASKET (EPDM OR VITON)	FNPT OR CAMLOC
F	VALVE MOUNTING HARDWARE KIT	IN LID
G	BLACK POLY FRAME PILLOW	
H	FRAME CORNER STACKING BRACKET WITH SCREW	4 PLACES
J	ALUMINUM U.N. FRAME TAG	



INNER SUPPORT PLATE



REV	DATE	DESCRIPTION	BY	APPD	REVD
1	2018-07-09	UPDATED VOLUME AND WEIGHT	WM		
REVISIONS					
CUSTOMER					
TITLE			ACO JOB NO:		
PTC-135-NP NARROW PROFILE			PO#:		
PALLET TANK WITH 12" KICKPLATES			EQUIP. NO:		
THIS DRAWING IS THE PROPERTY OF ROTOPLAST INC. AND SHALL NOT BE COPIED OR TRANSFERRED WITHOUT THE WRITTEN CONSENT OF ROTOPLAST INC.					
ENGINEERS SEAL		ACO CONTAINER SYSTEMS DIVISION OF ROTOPLAST INC. 794 MCKAY ROAD PICKERING, ONTARIO, CANADA TEL: 905-683-8222 WEB: ACOTAINERS.COM		DESIGNED	WM
				DRAWN	
				CHECKED	
				APPROVED	
				SCALE	N.T.S.
				DATE	04-04-16
DWG No			PTC-135-NP		REV 1