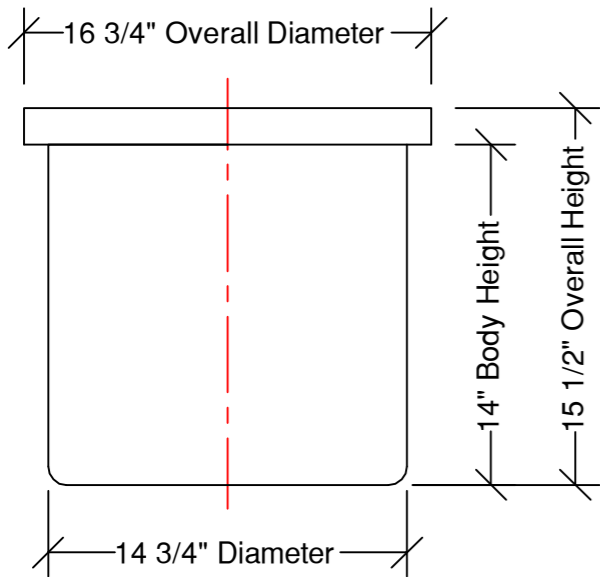
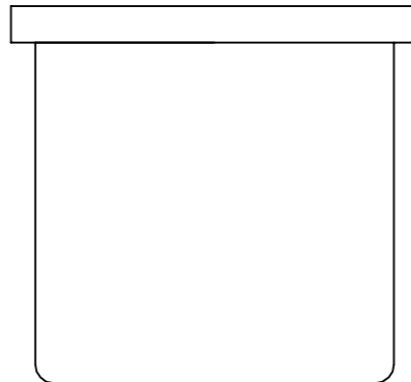


PLAN VIEW



FRONT VIEW



SIDE VIEW

NOZZLE SCHEDULE

| ITEM | SIZE | DESCRIPTION | NOTES |
|------|------|-------------|-------|
| | | | |
| | | | |
| | | | |
| | | | |
| | | | |
| | | | |
| | | | |
| | | | |
| | | | |
| | | | |

| REV | DATE | DESCRIPTION | BY | APPD | REVD |
|-----|------|-------------|----|------|------|
| | | | | | |

REVISIONS

CUSTOMER

TITLE
 ACO JOB NO: -
 PURCHASE ORDER NO: -
 PURCHASER'S EQUIP. NO: -

THIS DRAWING IS THE PROPERTY OF ACO CONTAINER SYSTEMS LTD.
 AND SHALL NOT BE COPIED OR TRANSFERRED WITHOUT THE
 WRITTEN CONSENT OF ACO CONTAINER SYSTEMS LTD.

| | | |
|---|---|--------|
| ENGINEERS SEAL | ACO CONTAINER SYSTEMS LTD. | |
| | <small>PICKERING - ONTARIO - CANADA</small> | |
| ACO CONTAINER SYSTEMS LTD. 794 MCKAY RD. PICKERING, ONTARIO, CANADA L1W 2Y4 TEL. 905-683-8222 FAX 905-683-2969 | DESIGNED | S.A. |
| | DRAWN | J.M. |
| | CHECKED | |
| | APPROVED | |
| | SCALE | N.T.S. |
| DATE | 09-11-06 | |

DWG No **OT-9** REV **0**