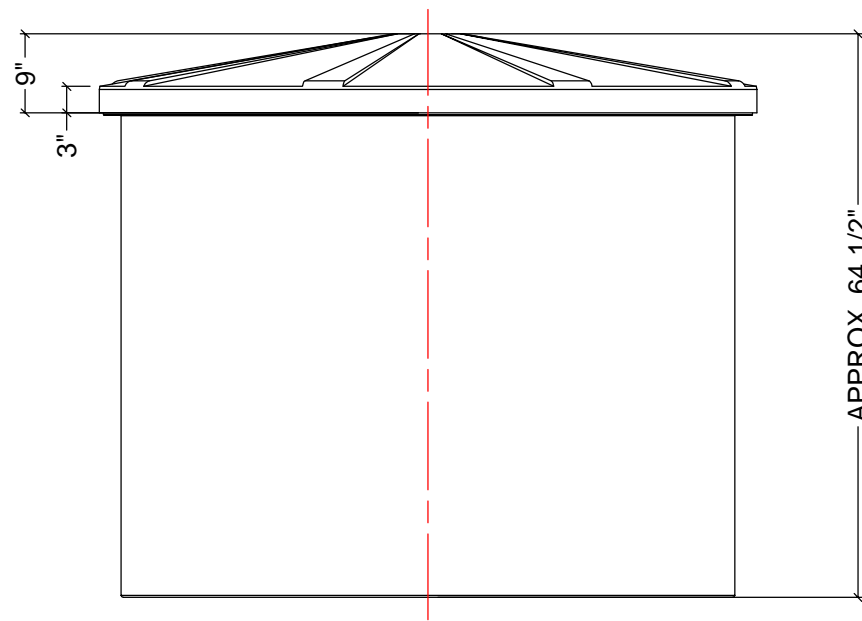
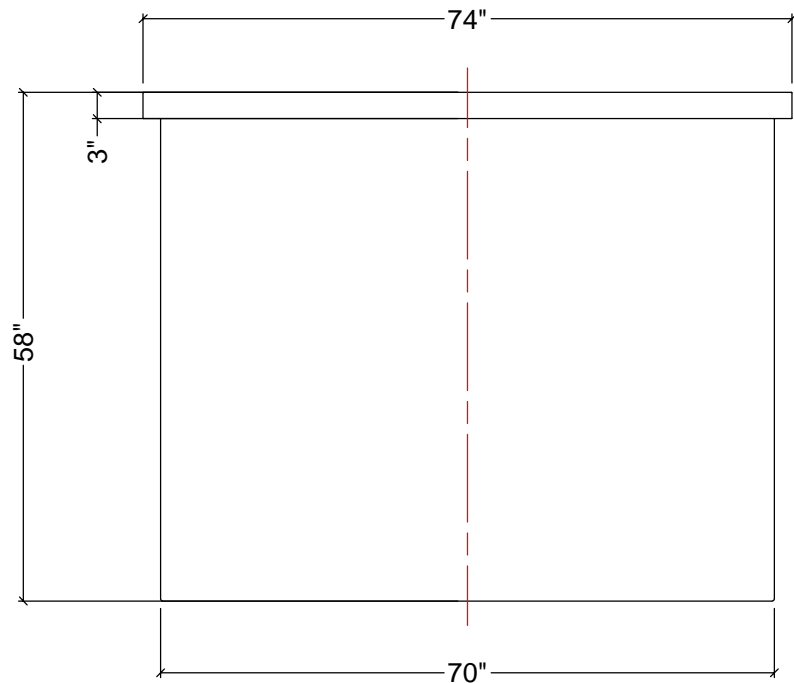
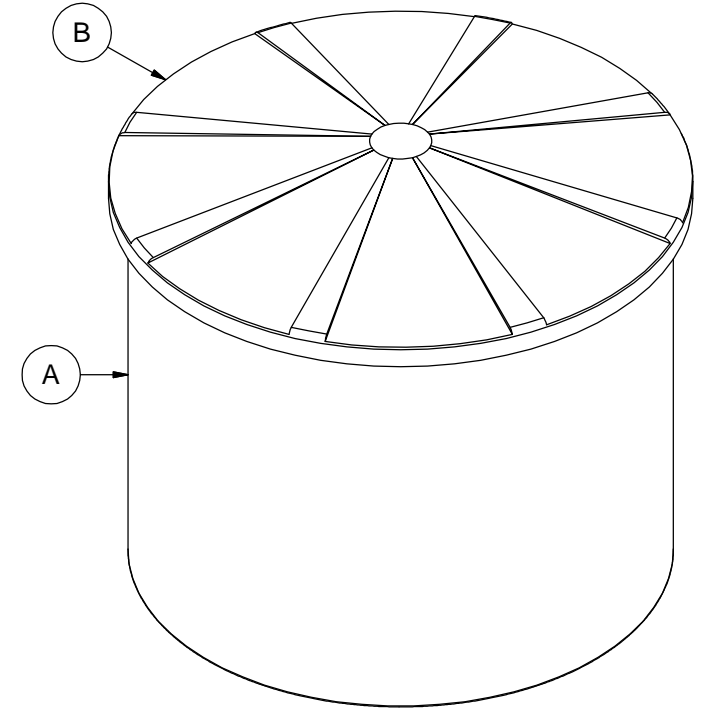
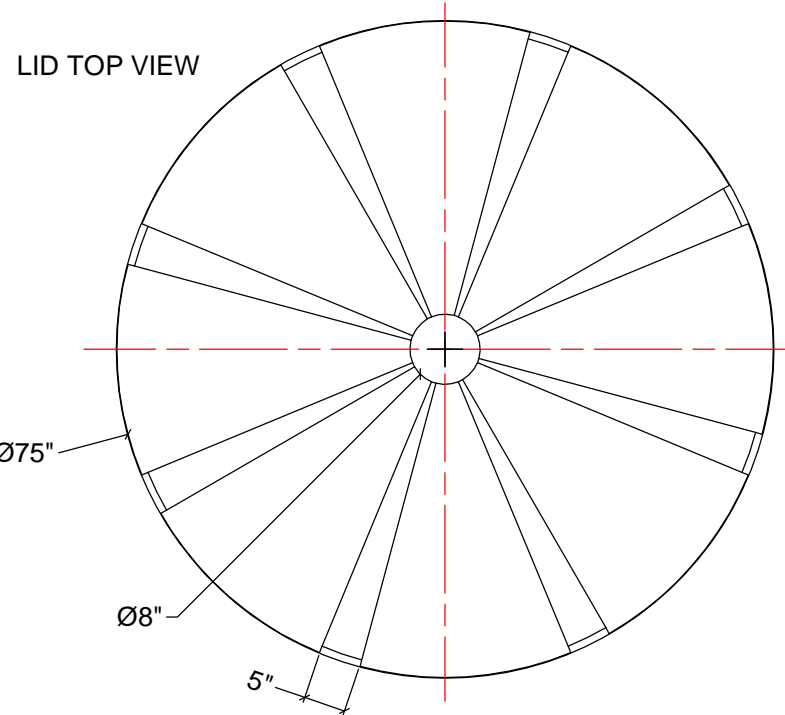
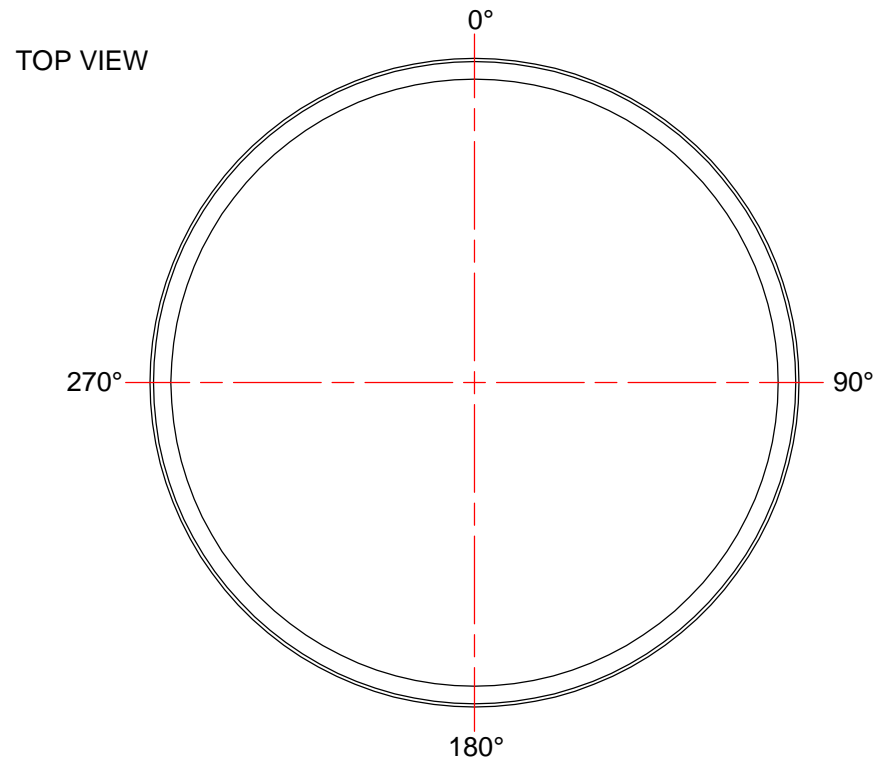


| MATERIALS LIST | | |
|----------------|----------------------|-------|
| ITEMS | DESCRIPTION | NOTES |
| A | OT-750 OPEN TOP TANK | |
| B | LID FOR OT-750 | |
| | | |
| | | |
| | | |
| | | |
| | | |
| | | |

NOTES:

1. TANK IS MANUFACTURED TO ASTM-D-1998 STANDARD.
2. ALL DIMENSIONS ARE APPROXIMATE.



FRONT VIEW

SIDE VIEW WITH LID

| REV | DATE | DESCRIPTION | BY | APPD | REVD |
|---|------|---|----------|------|------|
| REVISIONS | | | | | |
| CUSTOMER | | | | | |
| TITLE | | ACO JOB NO: | | | |
| 750 I.G. OPEN TOP TANK WITH LID | | PURCHASE ORDER NO: | | | |
| | | PURCHASER'S EQUIP. NO: | | | |
| THIS DRAWING IS THE PROPERTY OF ACO CONTAINER SYSTEMS LTD. AND SHALL NOT BE COPIED OR TRANSFERRED WITHOUT THE WRITTEN CONSENT OF ACO CONTAINER SYSTEMS LTD. | | | | | |
| ENGINEERS SEAL | | ACO CONTAINER SYSTEMS LTD. | | | |
| | | <small>PICKERING - ONTARIO - CANADA</small> | | | |
| ACO CONTAINER SYSTEMS LTD. | | DESIGNED | | | |
| 794 MCKAY RD. | | DRAWN | WM | | |
| PICKERING, ONTARIO, CANADA | | CHECKED | | | |
| L1W 2Y4 | | APPROVED | | | |
| TEL. 905-683-8222 | | SCALE | N.T.S. | | |
| FAX 905-683-2969 | | DATE | 27-05-09 | | |
| DWG No | | OT-750-L | | REV | 0 |