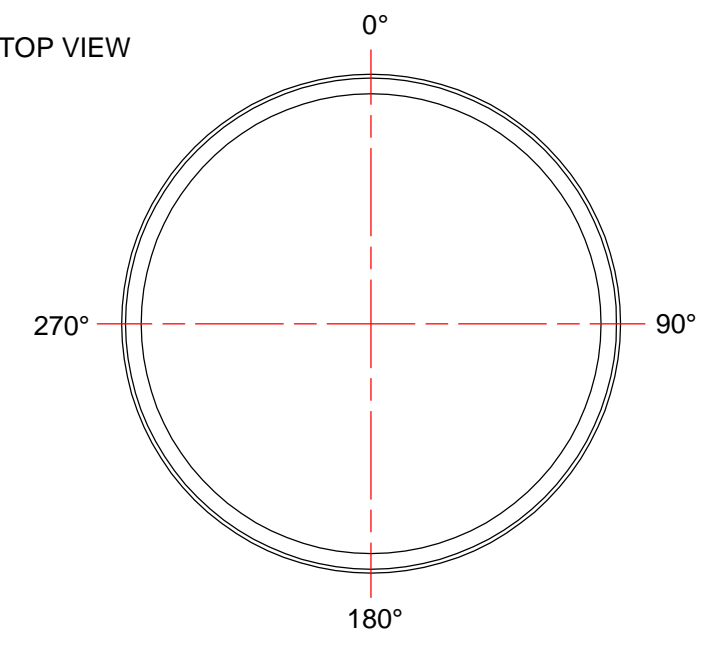


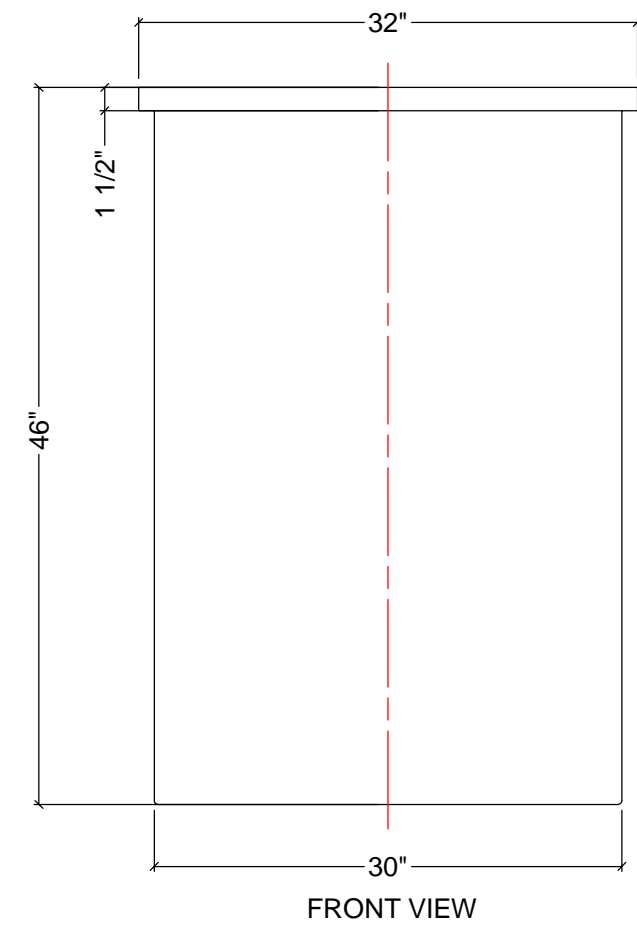
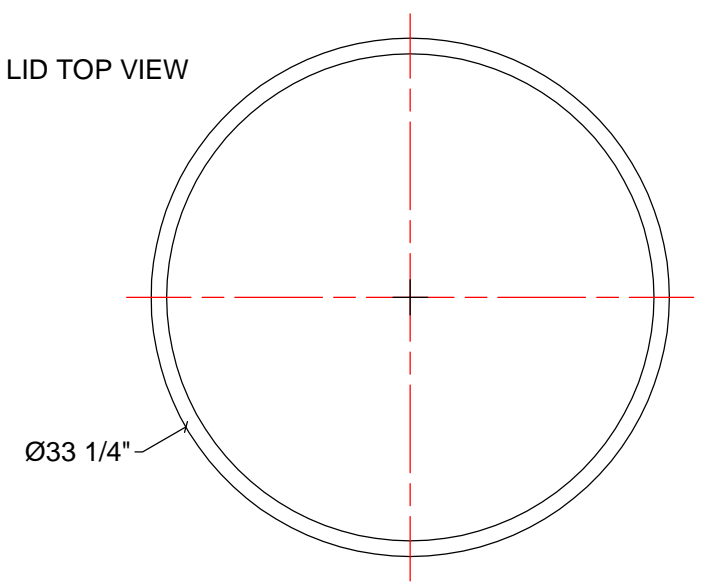
TOP VIEW



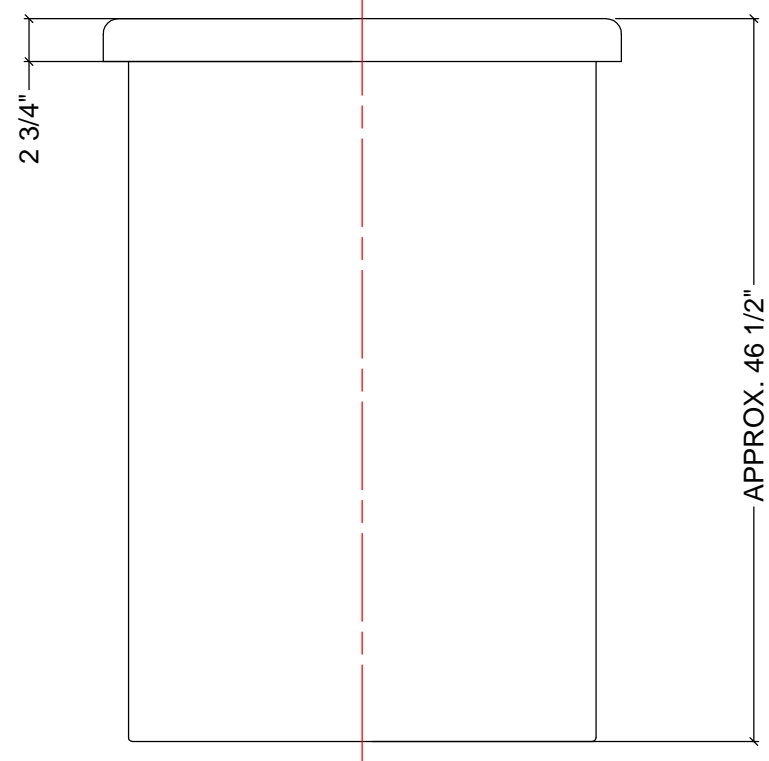
NOTES:

1. TANK IS MANUFACTURED TO ASTM-D-1998 STANDARD.
2. ALL DIMENSIONS ARE APPROXIMATE.

LID TOP VIEW

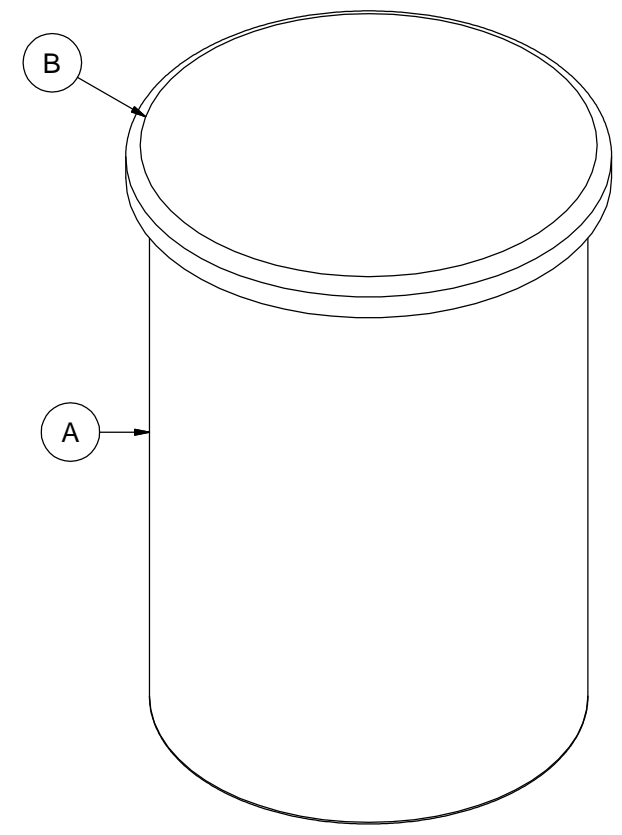


FRONT VIEW



SIDE VIEW WITH LID

| MATERIALS LIST | | |
|----------------|----------------------|-------|
| ITEMS | DESCRIPTION | NOTES |
| A | OT-125 OPEN TOP TANK | |
| B | LID FOR OT-125 | |
| | | |
| | | |
| | | |
| | | |
| | | |
| | | |



| REV | DATE | DESCRIPTION | BY | APPD | REVD |
|---|------|---|----|-------------------------|------|
| REVISIONS | | | | | |
| CUSTOMER | | | | | |
| TITLE | | ACO JOB NO: | | | |
| 125 I.G. OPEN TOP TANK WITH LID | | PURCHASE ORDER NO: | | | |
| | | PURCHASER'S EQUIP. NO: | | | |
| THIS DRAWING IS THE PROPERTY OF ACO CONTAINER SYSTEMS LTD. AND SHALL NOT BE COPIED OR TRANSFERRED WITHOUT THE WRITTEN CONSENT OF ACO CONTAINER SYSTEMS LTD. | | | | | |
| ENGINEERS SEAL | | ACO CONTAINER SYSTEMS LTD. | | | |
| | | <small>PICKERING - ONTARIO - CANADA</small> | | | |
| | | <small>ACO CONTAINER SYSTEMS LTD.</small> | | <small>DESIGNED</small> | |
| | | <small>794 MCKAY RD.</small> | | <small>DRAWN</small> | |
| | | <small>PICKERING, ONTARIO, CANADA</small> | | <small>CHECKED</small> | |
| | | <small>L1W 2Y4</small> | | <small>APPROVED</small> | |
| | | <small>TEL. 905-683-8222</small> | | <small>SCALE</small> | |
| | | <small>FAX 905-683-2969</small> | | <small>N.T.S.</small> | |
| | | <small>DWG No</small> | | <small>DATE</small> | |
| | | OT-125-L | | 27-05-09 | |
| | | | | <small>REV</small> | |
| | | | | 0 | |