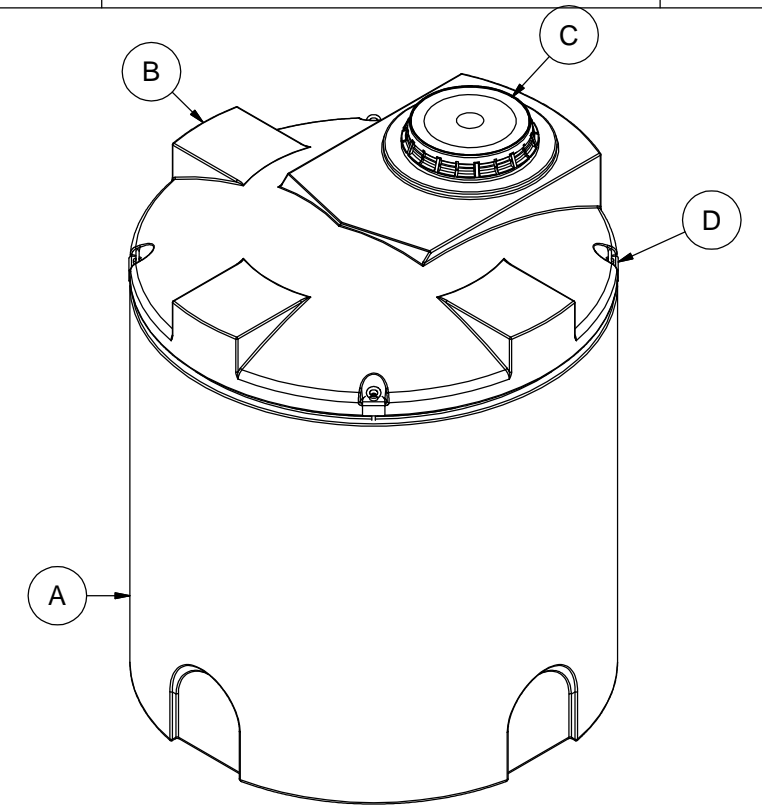
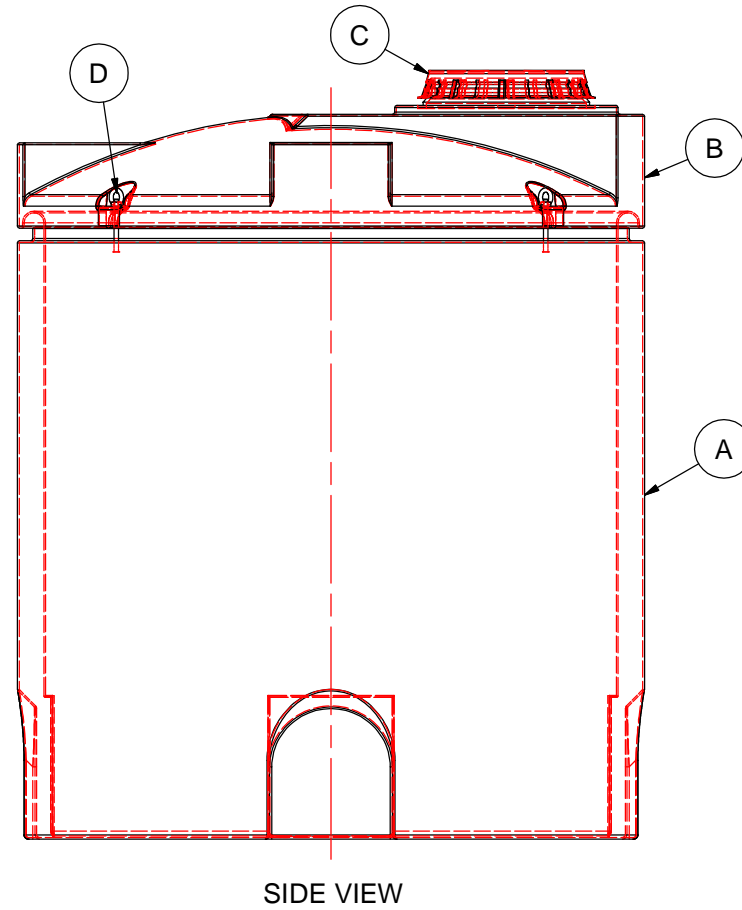
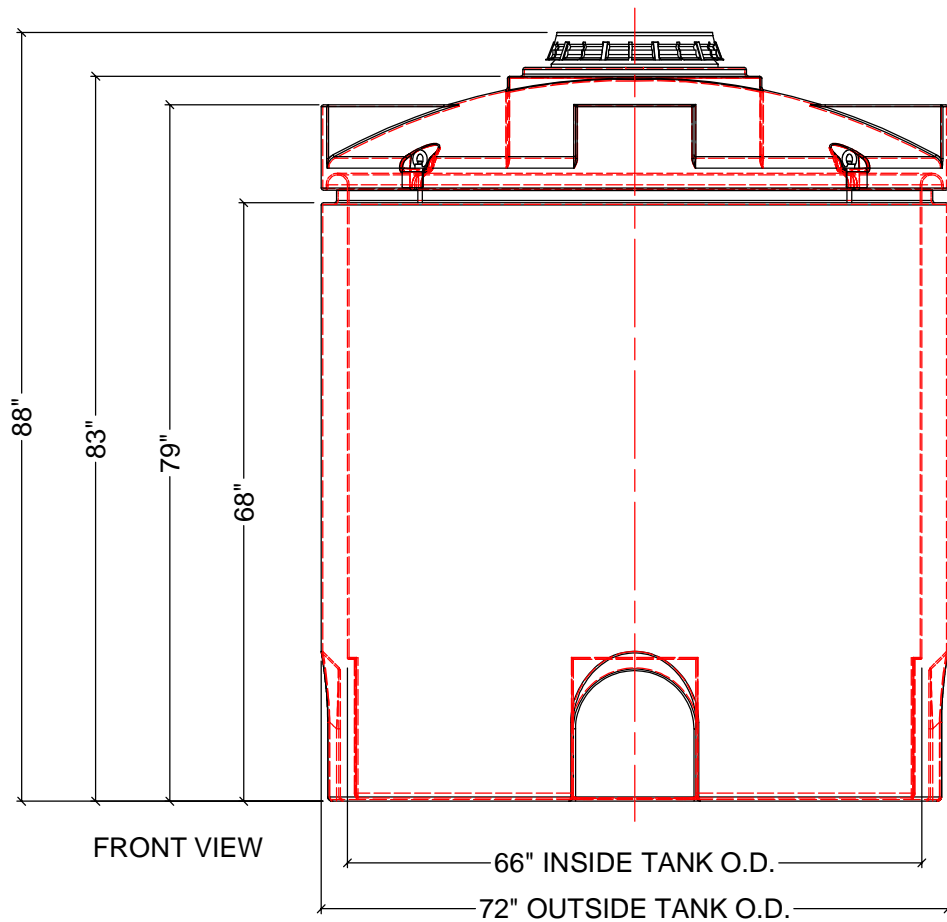


NOTES:

1. TANK IS MANUFACTURED TO ASTM-D-1998 STANDARD.
2. ALL DIMENSIONS ARE APPROXIMATE.

MATERIALS LIST		
ITEMS	DESCRIPTION	NOTES
A	DMT-850-OUTSIDE	
B	DMT-850-INSIDE	
C	16" LID WITH LOCKING STRAP (OPTIONAL 21" TREADED LID)	
D	DMT LIFTING LUG ASSEMBLY	4 PLACES



REV	DATE	DESCRIPTION	BY	APPD	REVD
REVISIONS					
CUSTOMER					
TITLE 850 I.G. DOUBLE WALL TANK			ACO JOB NO: PURCHASE ORDER NO: PURCHASER'S EQUIP. NO:		
THIS DRAWING IS THE PROPERTY OF ACO CONTAINER SYSTEMS LTD. AND SHALL NOT BE COPIED OR TRANSFERRED WITHOUT THE WRITTEN CONSENT OF ACO CONTAINER SYSTEMS LTD.					
ENGINEERS SEAL			<b>ACO CONTAINER SYSTEMS LTD.</b>		
PICKERING - ONTARIO - CANADA ACO CONTAINER SYSTEMS LTD. 794 MCKAY RD. PICKERING, ONTARIO, CANADA L1W 2Y4 TEL. 905-683-8222 FAX 905-683-2969			DESIGNED	WM	
			DRAWN		
			CHECKED		
			APPROVED		
			SCALE	N.T.S.	
			DATE	20-05-09	
DWG No			DMT-850		REV 0