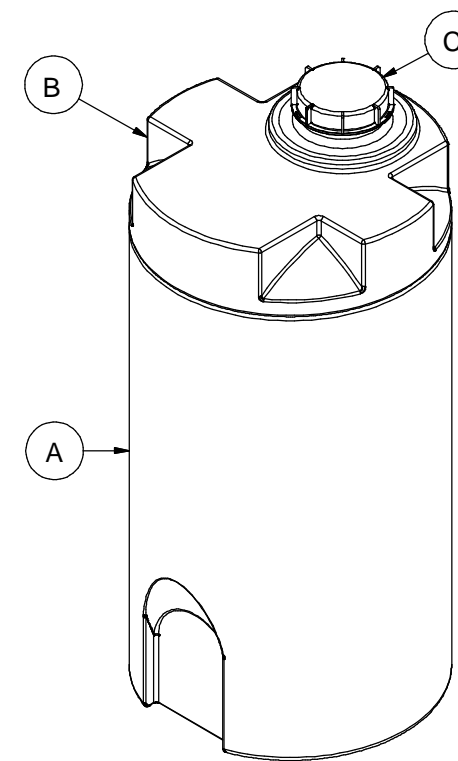
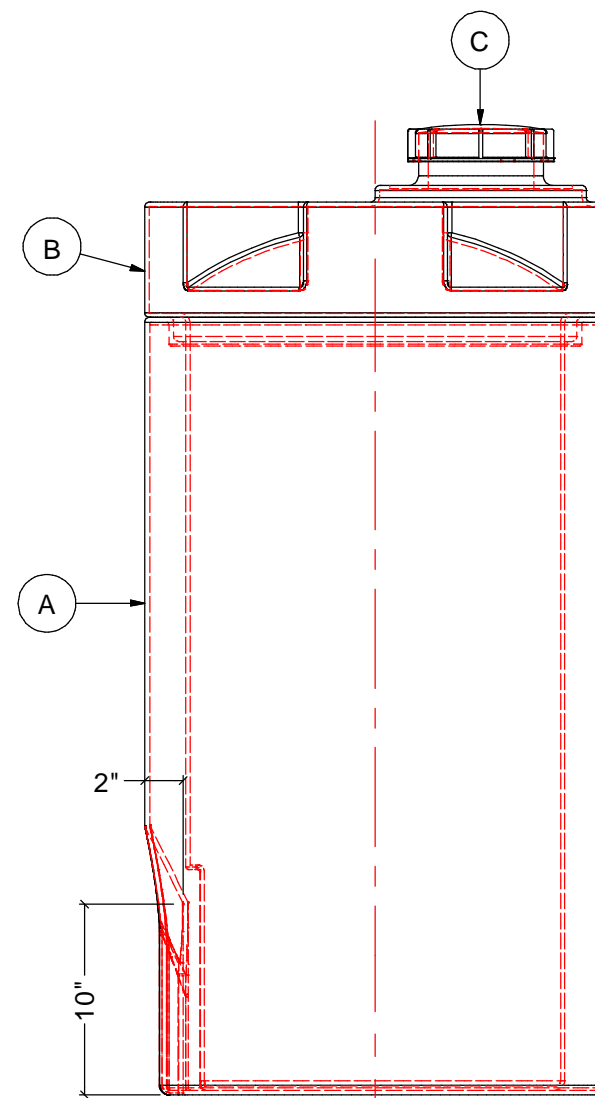
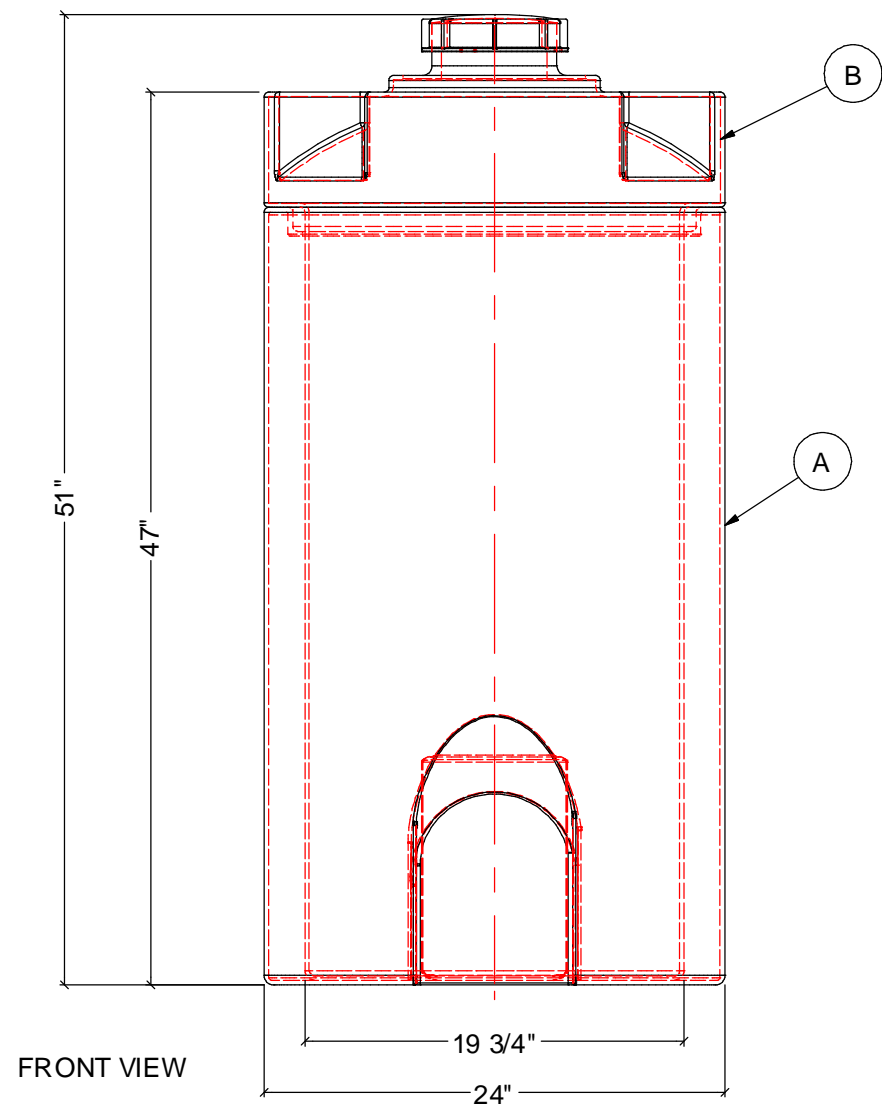


NOTES:

1. TANK IS MANUFACTURED TO ASTM-D-1998 STANDARD.
2. ALL DIMENSIONS ARE APPROXIMATE.

MATERIALS LIST		
ITEMS	DESCRIPTION	NOTES
A	DMT-40 OUTSIDE TANK	
B	DMT-40 INSIDE TANK	
C	5 1-2IN THREADED LID	



SIDE VIEW

REV	DATE	DESCRIPTION	BY	APPD	REVD
REVISIONS					
CUSTOMER					
TITLE		ACO JOB NO:			
40 I.G. DOUBLE WALL TANK		PURCHASE ORDER NO:			
		PURCHASER'S EQUIP. NO:			
THIS DRAWING IS THE PROPERTY OF ACO CONTAINER SYSTEMS LTD. AND SHALL NOT BE COPIED OR TRANSFERRED WITHOUT THE WRITTEN CONSENT OF ACO CONTAINER SYSTEMS LTD.					
ENGINEERS SEAL		<b>ACO CONTAINER SYSTEMS LTD.</b>			
<small>PICKERING - ONTARIO - CANADA</small>					
<small>ACO CONTAINER SYSTEMS LTD. 794 MCKAY RD. PICKERING, ONTARIO, CANADA L1W 2Y4 TEL. 905-683-8222 FAX 905-683-2969</small>		<small>DESIGNED</small>		<small>WM</small>	
		<small>DRAWN</small>			
		<small>CHECKED</small>			
		<small>APPROVED</small>			
		<small>SCALE</small>		<small>N.T.S.</small>	
		<small>DATE</small>		<small>05-12-11</small>	
<small>DWG No</small>		<b>DMT-40</b>		<small>REV</small> 0	