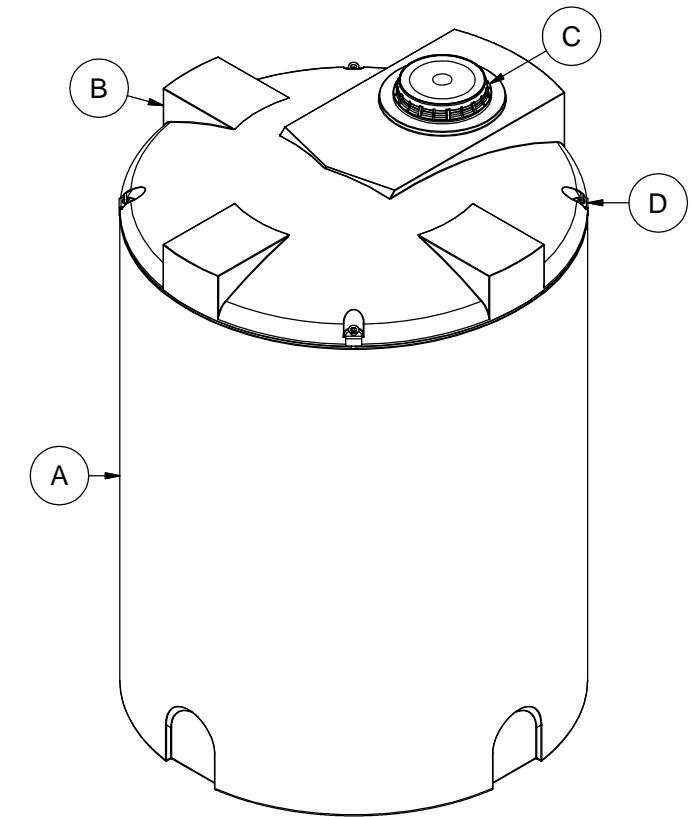
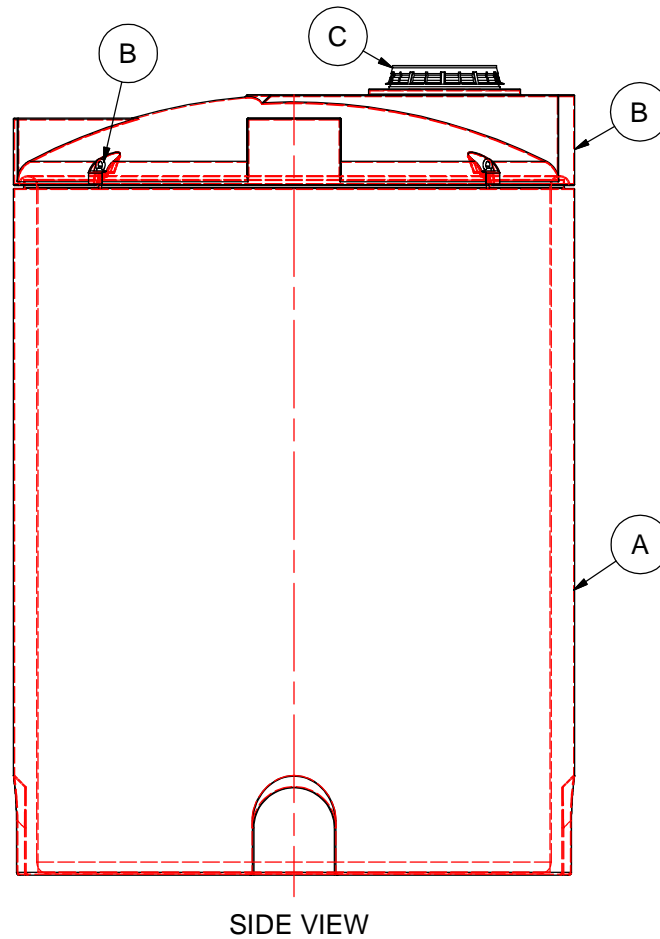
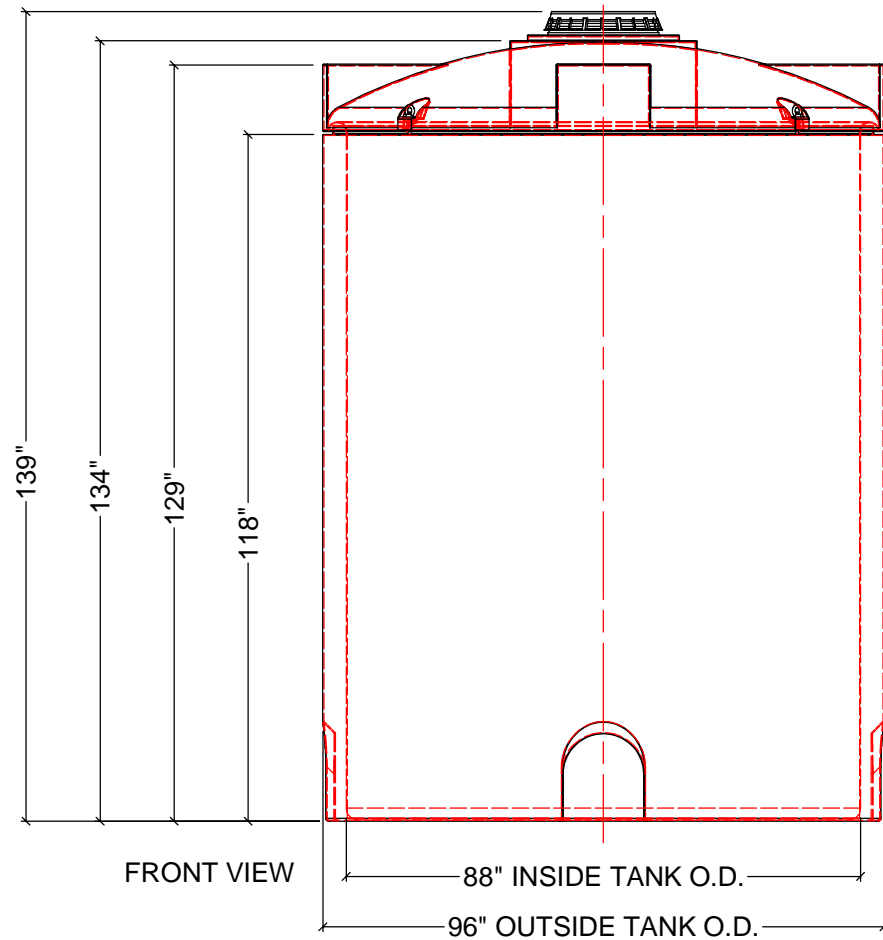


NOTES:

1. TANK IS MANUFACTURED TO ASTM-D-1998 STANDARD.
2. ALL DIMENSIONS ARE APPROXIMATE.

MATERIALS LIST		
ITEMS	DESCRIPTION	NOTES
A	DMT-2500-OUTSIDE	
B	DMT-2500-INSIDE	
C	16" LID WITH LOCKING STRAP (OPTIONAL 21" TREADED LID)	
D	DMT LIFTING LUG ASSEMBLY	4 PLACES



REV	DATE	DESCRIPTION	BY	APPD	REVD	
REVISIONS						
CUSTOMER						
TITLE 2500 I.G. DOUBLE WALL TANK			ACO JOB NO: PURCHASE ORDER NO: PURCHASER'S EQUIP. NO:			
THIS DRAWING IS THE PROPERTY OF ACO CONTAINER SYSTEMS LTD. AND SHALL NOT BE COPIED OR TRANSFERRED WITHOUT THE WRITTEN CONSENT OF ACO CONTAINER SYSTEMS LTD.						
ENGINEERS SEAL		ACO CONTAINER SYSTEMS LTD.				
		PICKERING - ONTARIO - CANADA		DESIGNED		
		ACO CONTAINER SYSTEMS LTD.		DRAWN	WM	
		794 MCKAY RD.		CHECKED		
		PICKERING, ONTARIO, CANADA		APPROVED		
		L1W 2Y4		SCALE	N.T.S.	
		TEL. 905-683-8222		DATE	20-05-09	
		FAX 905-683-2969				
DWG No		DMT-2500			REV	0